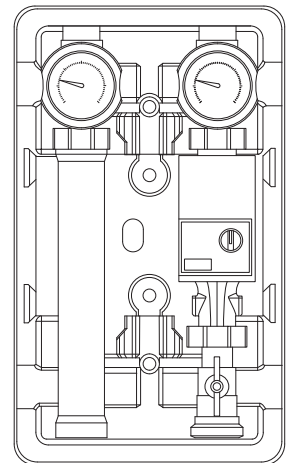
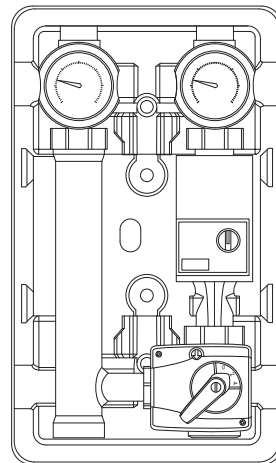


INSTALLATION  
INSTALLATIE  
ASENNUS  
INSTALACE

Heizungs-Kompaktinstallation | Heating compact installation | Installation compacte de chauffage | Compacte verwarmingsinstallatie | Lämmityksen kompaktiyksikkö | Kompaktní instalační sada okruhu vytápění

- » WPKI-HKM E
- » WPKI-HK E





## 1. General information

This document is intended for contractors.



### Note

Read these instructions carefully before using the appliance and retain them for future reference. Pass on the instructions to a new user if required.

- ▶ This symbol indicates that you have to do something. The action you need to take is described step by step.

### Relevant documents



Operating and installation instructions for system components

## 2. Safety

Only a qualified contractor should carry out installation, commissioning, maintenance and repair of this compact installation.

### 2.1 General safety instructions

We guarantee trouble-free function and operational reliability only if original accessories and spare parts intended for the appliance are used.

### 2.2 Instructions, standards and regulations



### Note

Observe all applicable national and regional regulations and instructions.

## 3. Product description

The heating compact installations WPKI-HK E and WPKI-HKM E are specifically designed for buffer cylinders SBP 200 E, SBP 400 E and SBP 700 E. In conjunction with the pipe set WPKI RB, they offer heating contractors a clear and easy means of connecting the heating system to the SBP E buffer cylinder.

The return ball valve contains a gravity brake to prevent unintentional natural circulation. The gravity brake can be opened manually by turning the handle approx. 45° to its end stop.

The compact heating installation WPKI-HK E is suitable for operating a heating circuit without mixer.

The compact heating installation WPKI-HKM E is suitable for operating a heating circuit with mixer. The standard delivery includes a 3-way mixer with servomotor.

### 3.1 Standard delivery

The WPKI-HK E and the WPKI-HKM E are factory-sealed and comprise:

- high efficiency circulation pump DN 25, height 180 mm with 2 m connecting cable
- tow-way ball valve with manual gravity brake in the return, complete with handle
- tow-way ball valve in the flow, complete with handle
- two thermometers, ø 63 mm, display range 0-120 °C (red or blue facia ring for identifying the flow and return)
- pump ball valve with flange and 1 ½ " male (only WPKI-HK E)
- three-way mixer with variable bypass (only WPKI-HKM E)
- return pipe
- EPP insulation
- 2 fixing screws with washers and rawl plugs (in the pack)

### 3.2 Further accessories

- WPKI-HKV

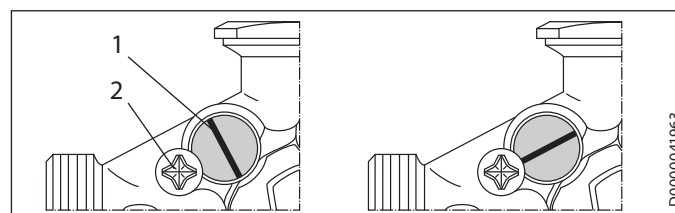
The distributor, with 2 connection pairs respectively to the top and bottom, is designed for the connection of two heating circuits in conjunction with the heating compact installations WPKI-HK E and WPKI-HKM E.

## 4. Settings

### 4.1 WPKI-HKM E

#### 3-way mixer

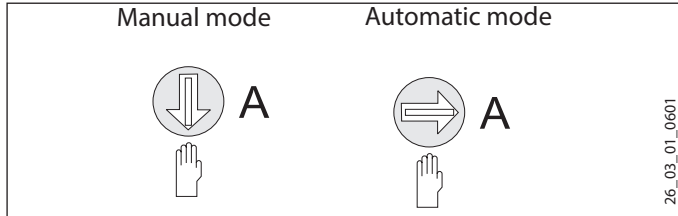
A bypass can be used to reduce the flow temperature by mixing in return water. The bypass can be infinitely adjusted with the adjusting screw. For that, undo locking screw approx. 1 mm. Tighten the locking screw again after completing the adjustment. The mixer is regulated via the servomotor. In the delivered condition, both mixer and bypass are closed, and the locking screw is tight.



- 1 Adjusting screw
- 2 Locking screw

### Servomotor

The angle of rotation is electrically limited to 90°. Upon reaching its end stops, the drive will be switched off and switched to zero volt. The servomotor can be switched to manual control via the rotary selector on the casing.

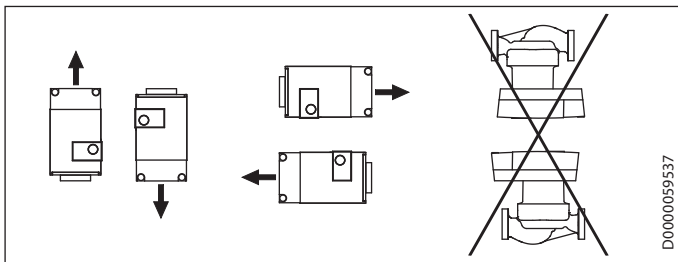


## 5. Installation

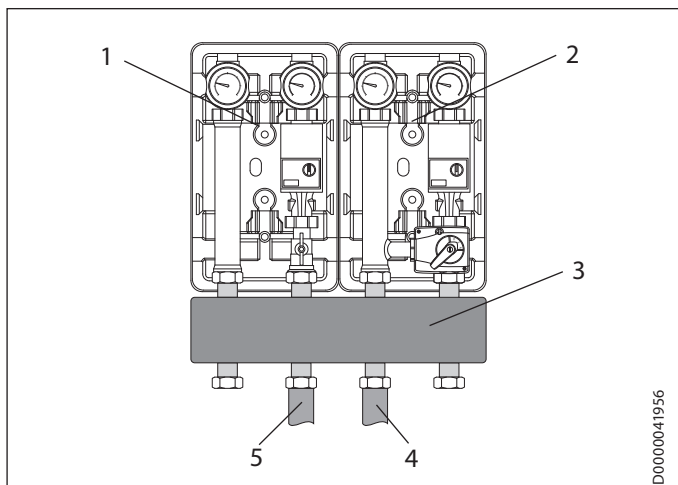
### 5.1 Circulation pump installation position

**! Material losses**  
▶ Observe the circulation pump installation and operating instructions.

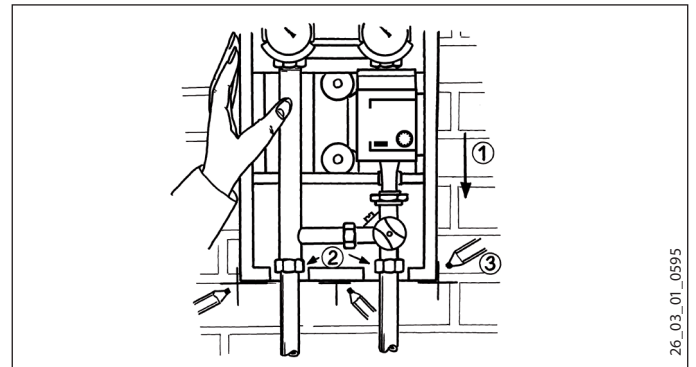
**! Material losses**  
▶ Do not install the circulation pump on the ceiling or horizontally on the floor.



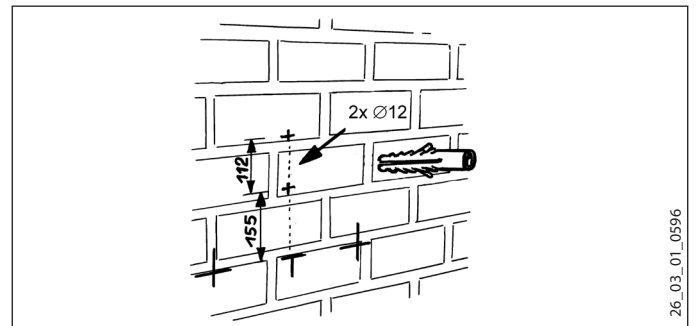
### 5.2 Installation example for wall mounting



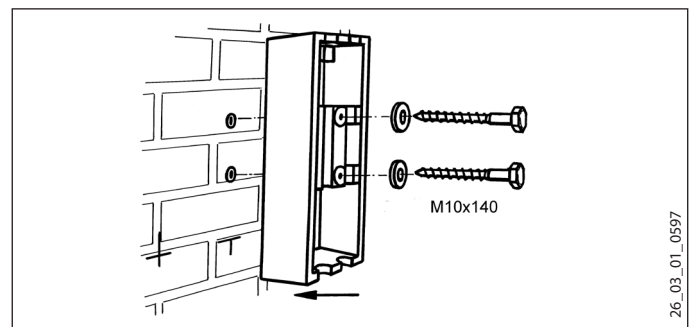
- 1 WPKI-HK E
- 2 WPKI-HKM E
- 3 WPKI-HKV (not part of the standard delivery)
- 4 Return
- 5 Flow



- ① Fit the compact installation with the insulation to the existing pipework.
- ② Tighten the fittings by hand.
- ③ Mark the edges of the compact installation on the wall.
- ▶ Remove the compact installation from the wall.



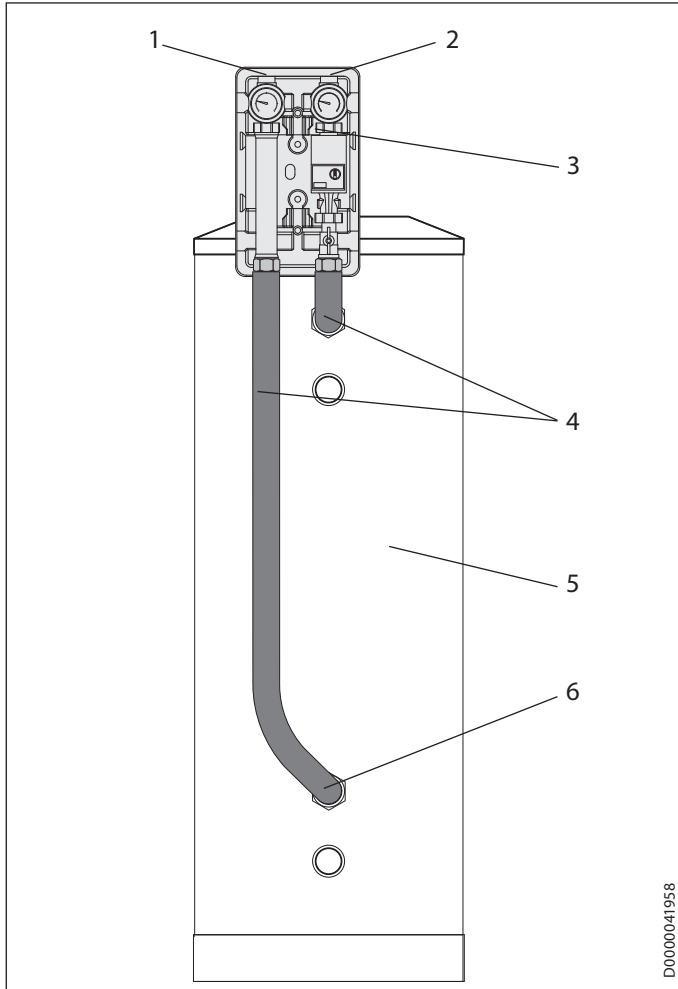
- ▶ Mark the holes to be drilled.
- ▶ Drill the holes.
- ▶ Insert the rawl plugs into the holes.



- ▶ Secure the lower insulation shell with the screws and washers supplied.



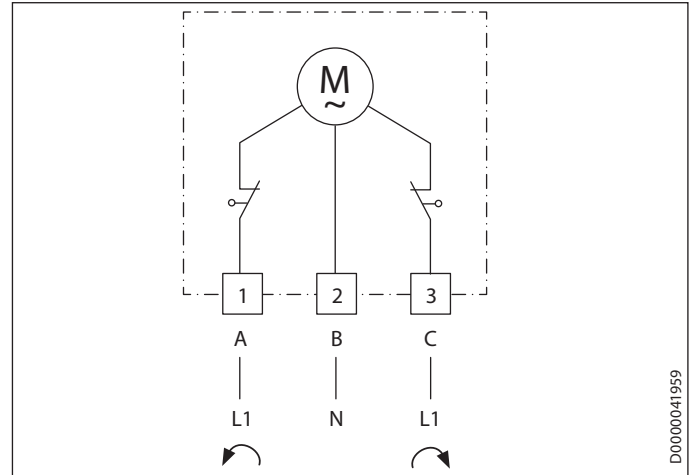
### 5.3 Installation example for cylinder mounting



- 1 Return
- 2 Flow
- 3 WPKI-HK E
- 4 WPKI-RB (not part of the standard delivery)
- 5 SBP E (not part of the standard delivery)
- 6 Pipe bend with twin connector (not part of the standard delivery; to be used in connection with the buffer cylinder SBP 700 E)

D0000041958

### 6. Power supply



D0000041959

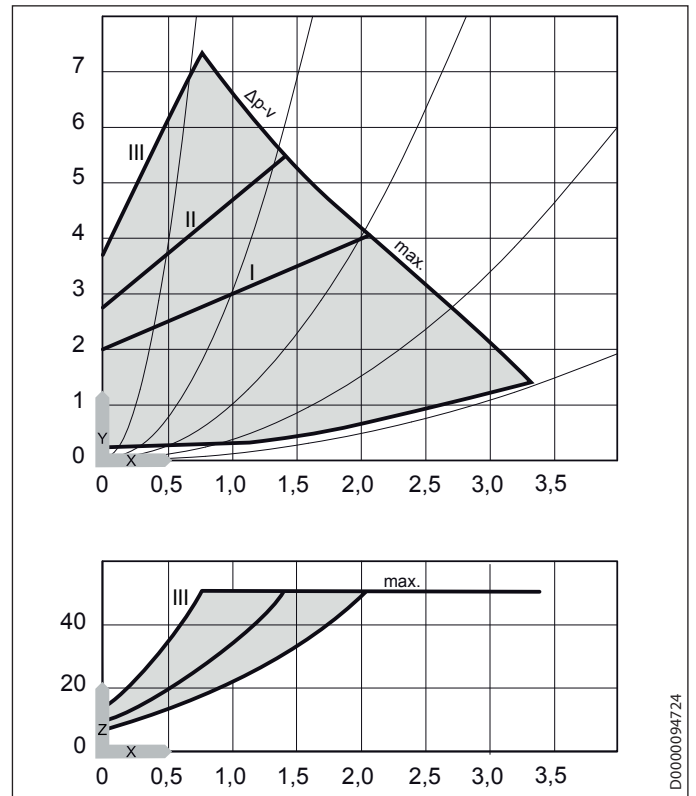
- 1 brown (left-turning)
- 2 blue (N)
- 3 white (right-turning)

### 7. Specification

#### 7.1 Output diagrams

##### High efficiency circulation pump

$\Delta p = v$  (variable)



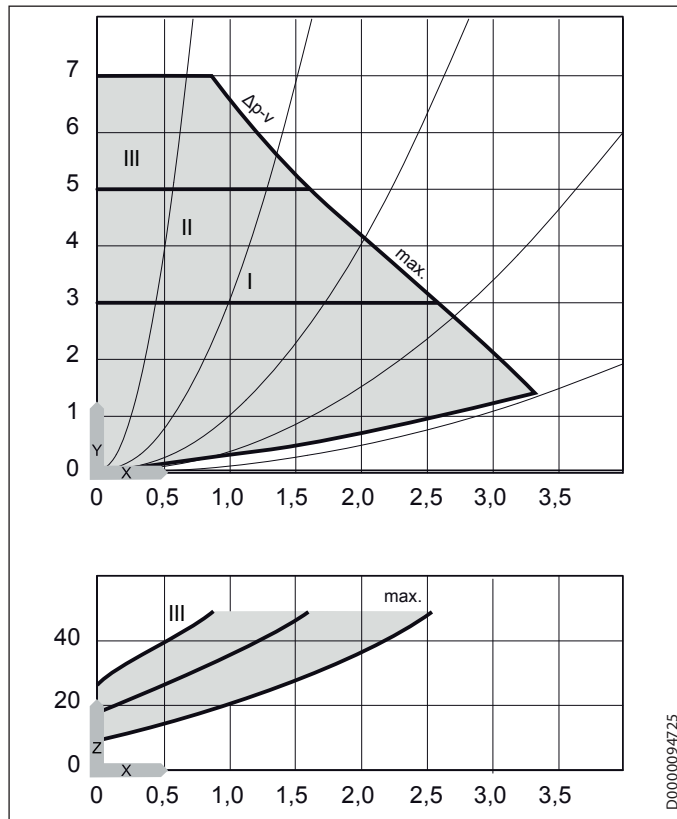
D0000094724

- X Flow rate [m<sup>3</sup>/h]
- Y Delivery head [m]
- Z Power consumption [W]



### High efficiency circulation pump

$\Delta p = c$  (constant)



X Flow rate [m<sup>3</sup>/h]  
 Y Delivery head [m]  
 Z Power consumption [W]

### 7.2 Data table

	WPKI-HK E	WPKI-HKM E
	233602	233603

#### Application limits

Max. permissible temperature	°C	95	95
Max. permissible pressure	MPa	0.6	0.6

#### Hydraulic data

Flow capacity	m <sup>3</sup> /h	7.2	5.8
Gravity brake opening pressure	MPa	0.02	0.02

#### Energy data

Energy Efficiency Index EEI		0.2	0.2
-----------------------------	--	-----	-----

#### Versions

Circulation pump type	Para 25-180/7-50/SC-12	Para 25-180/7-50/SC-12
-----------------------	------------------------	------------------------

#### Dimensions

Height	mm	420	420
Width	mm	250	250
Depth	mm	269	269

#### Connections

Connection above	G 1	G 1
Connection below	G 1 1/2 A	G 1 1/2 A

#### Values

Delivery head	m	7	7
Max. flow rate	m <sup>3</sup> /h	3.3	3.3

### 7.3 Servomotor data table

Rated voltage	230 V 50/60 Hz
Connection	cable 3 x 1.5 mm <sup>2</sup> , 2 m long
Rotational direction	optional acc. to wiring
Position indicator	reversible scale plate
Runtime	140 sec
Safety category	II (double insulated, without earth conductor)
IP rating	IP 40
Ambient temperature	0 °C to 50 °C
Test symbols	CE

## Guarantee

The guarantee conditions of our German companies do not apply to appliances acquired outside of Germany. In countries where our subsidiaries sell our products a guarantee can only be issued by those subsidiaries. Such guarantee is only granted if the subsidiary has issued its own terms of guarantee. No other guarantee will be granted.

We shall not provide any guarantee for appliances acquired in countries where we have no subsidiary to sell our products. This will not affect warranties issued by any importers.

## Environment and recycling

We would ask you to help protect the environment. After use, dispose of the various materials in accordance with national regulations.