



WME Consumer Unit

Description

WME consumer unit is designed to provide optimum protection for your electrical installations and ensure your safety. This range of surge Protection Consumer Unit fully complies with BS EN 61439-3 and 18th Edition Wiring Regulations.

Part No.	Description
WME4	4 Mod Metal Consumer Unit
WME6	6 Mod Metal Consumer Unit
WME8	8 Mod Metal Consumer Unit
WME10	10 Mod Metal Consumer Unit
WME12	12 Mod Metal Consumer Unit
WME14	14 Mod Metal Consumer Unit
WME16	16 Mod Metal Consumer Unit
WME18	18 Mod Metal Consumer Unit
WME22	22 Mod Metal Consumer Unit



Technical Data

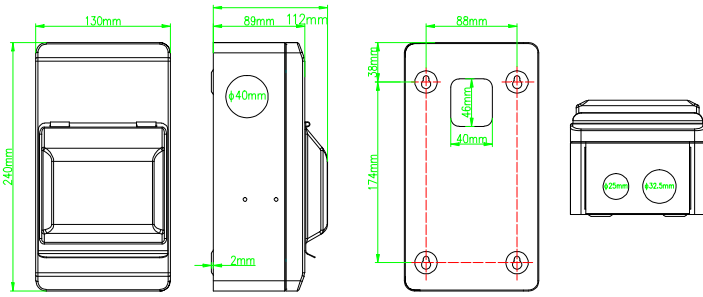
Standard	BS EN 61439-3 BS EN 60947-3 BS EN 61643-11
Rated Voltage	230V
Rated current	100A
Frequency	50Hz
Short circuit rating	16kA
Cable entry	Selection of Knockouts
Incoming terminal capacity	35mm ² max
Terminal type	Cage Clamp
Protection class ip rating	IP40
Ambient temperature	-25 °C ----- +40 °C

Main Features

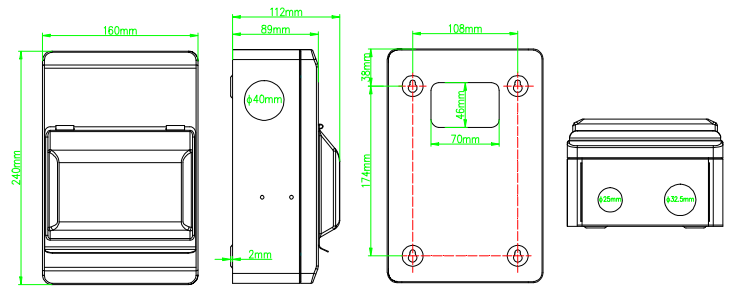
- * Non-combustible material, reducing the risk of fire
- * Available in a range from 4 mod to 22 mod
- * Supplied with a spirit level
- * Large and accessible wiring space
- * Raised Din rail improves cable routing
- * Raised key holes for secure easy installation
- * Fast and easy installation
- * Captive cover screws
- * Large and accessible wiring space, with extra space for RCBOs
- * Multiple circular cable entry knock-outs (25&32mm) on the top and bottom, 40mm on the sides, and back plus larger rear slots
- * Type 2 SPD According to IEC61643-11 & EN61643-11
- * Complies with 18th Edition BS 7671
- * Enclosure manufactured and tested to BS EN 61439-3



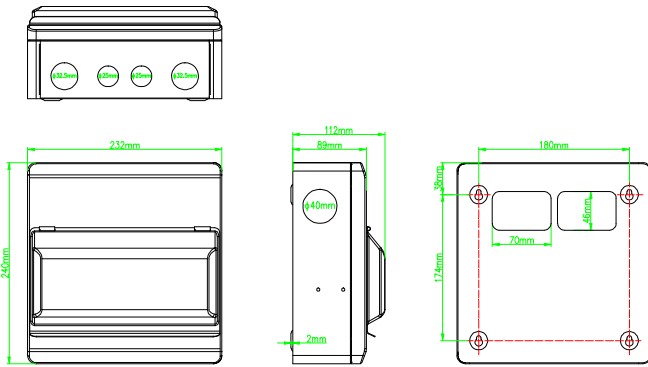
WME04 Dimension



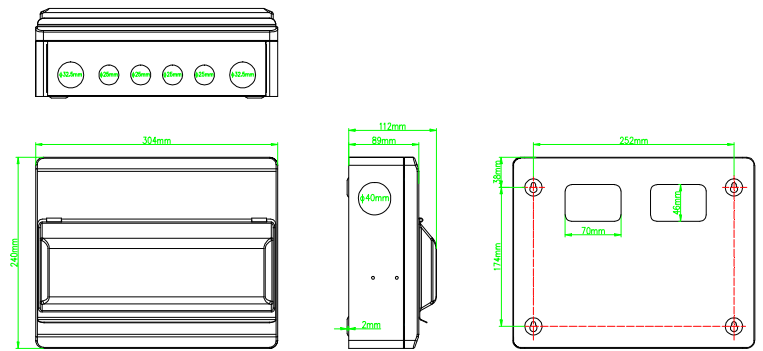
WME06 Dimension



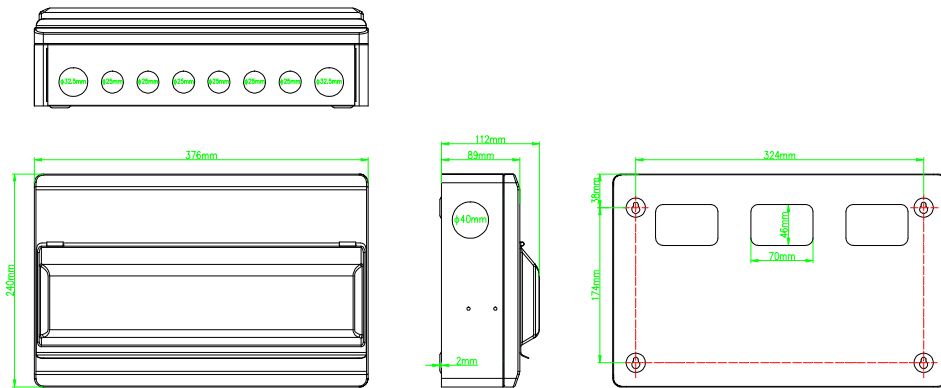
WME08 & WME10 Dimension



WME12 & WME14 Dimension



WME16 & WME18 Dimension



WME22 Dimension

