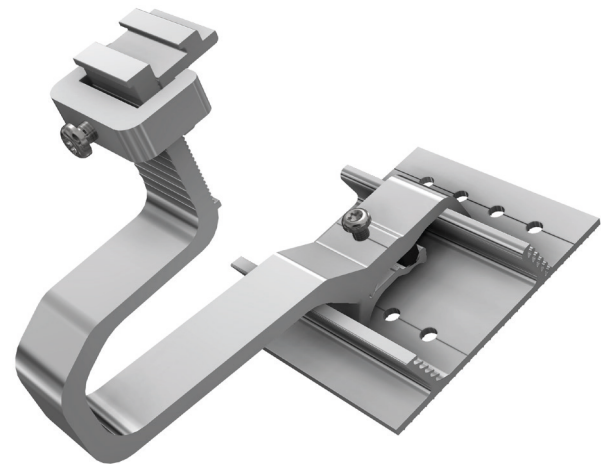


Roof hook SL Alu-Vario

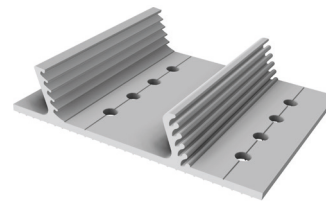
- » Suitable for all common tile roofs / snow load zone 4
- » Optimal adaptability to the roof: no shims necessary!
- » Simple height adjustment of the foot from 35 mm - 55 mm or 45 mm - 65 mm, bracket just needs to be hooked in at the appropriate position and fixated
- » Height of rail easily adjustable with pre-installed Clamp Combination (switch with Clamp Combination vertical, item no. 11105-05 for a vertical rail installation)
- » Lateral flexibility of the base plate allows for optimal positioning of the bracket when exiting the tiles
- » Installer-friendly "top-down" design: just place the rail onto the Clamp Combination. One screw fixates the rail and locks in the height at the same time
- » Only one tool required: Torx TX40
- » Due to larger hole spacing the use of M6 screws is possible
- » Application even on narrow rafters, e.g. nail trusses with a min. width of 36 mm (provided the use of M6 screws)
- » Installation as single- or cross-rail system
- » 100% aluminum; simplifies transportation and installation
- » Advantage of aluminum over stainless steel: The thickness of the material can be adapted to the absorption of the acting forces
- » Grounding lug can be attached
- » **Compatible with Rafter Spanning Profile SL Alu-Vario:**
 - Allows for max. lateral adjustments and the positioning of roof hooks between 2 rafters



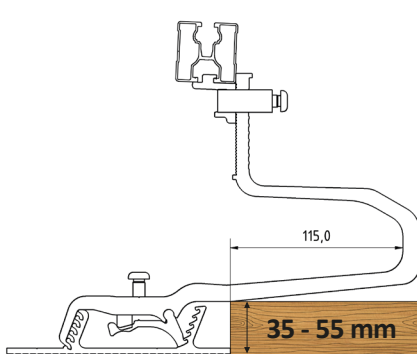
**Optional Vertical
Clamp Combination**
Item no. 11105-05



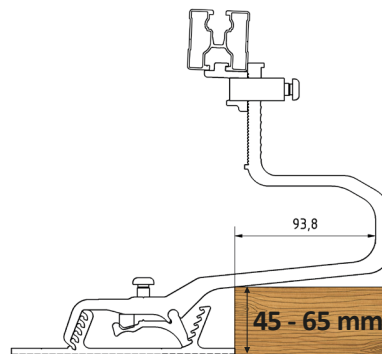
**Optional Potential
Equalization Clamp for
SL Alu and Alpha-Flex**
Item no. 11101-20



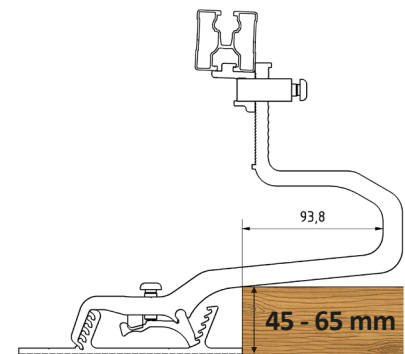
**Optional Rafter
Spanning Profile**
Item no. 11101-2000



SL Alu-35 Vario



SL Alu-45 Vario



SL Alu-45 X Vario

VARIANTS

Item no. 11135-01	EAN 4262355110292	SL Alu-35 Vario for 35 mm - 55 mm height of batten	10 pcs. per PU
Item no. 11145-01	EAN 4262355110308	SL Alu-45 Vario for 45 mm - 65 mm height of batten	10 pcs. per PU
Item no. 11145-02	EAN 4262355110315	SL Alu-45 X Vario for 45 mm - 65 mm height of batten, high snow load	10 pcs. per PU
Item no. 11101-2000	EAN 4262355110322	Rafter Spanning Profile SL Alu-Vario, length 2000 mm	20 pcs. per PU
Item no. 11105-05	EAN 4262355110339	Clamp Combination, vertical	100 pcs. per PU
Item no. 11101-20	EAN 4262355111411	Potential Equalization Clamp for SL Alu and Alpha-Flex	200 pcs. per PU