

VAN DER VALK



A ready-to-use
solar-mounting package for
pitched and flat roofs



ValkBox®

All mounting materials for one solar panel in a single box

Quick and easy to install • Developed according to the Eurocode
standards • **Innovative, high-quality and durable**

With the ValkBox® ease takes precedence

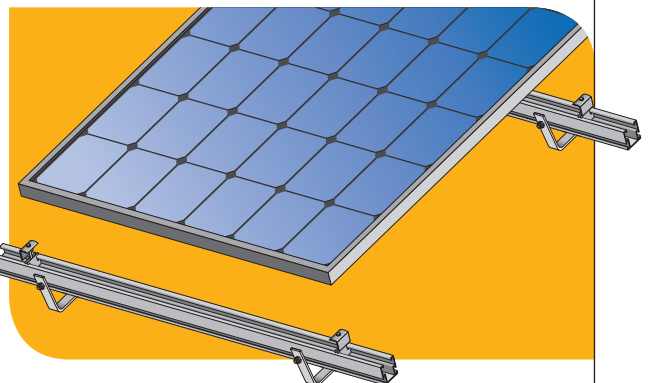
Logistics ease, ease of ordering and ease of mounting



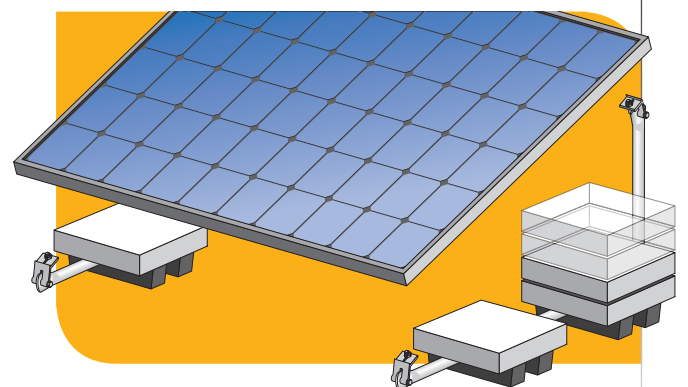
With the ValkBox, Van der Valk Solar Systems has developed a solar-mounting system which puts ease first. Logistics ease, ease of ordering and mounting for the installer, and 'comfortable price' for the user. The ValkBox is suitable for use on roofs of homes and small commercial buildings. There are three versions. For pitched roofs there are the ValkBox 1-First set and the ValkBox 2-Next set. And for flat roofs there is the ValkBox 3-Uni set. The ValkBox is an enormous logistical advance. As an installer you only need to keep three products in stock. You have the right materials for your order easily within reach.

Simple, high-quality and durable

More and more private individuals and small companies are looking into the possibilities offered by solar energy. The ValkBox was developed to make a solar system affordable for those users (and profitable for the installer). The system excels in simplicity and is distinguished by its quality and durability, just like the other Van der Valk Solar Systems. With the ValkBox you have a suitable system in your assortment for all smaller applications. And thanks to the use of universal panel clamps, almost any type of solar panel can be mounted. To emphasise the logistical ease of the ValkBox, the three different box formats fit delivery and/or storage on Europallets.



With the ValkBox 1 and 2 (pitched roofs) both portrait and landscape mounting are possible.



The ValkBox 3 (flat roofs) contains a clear load table with wind region and building height variables, allowing you to calculate the correct ballasting easily.



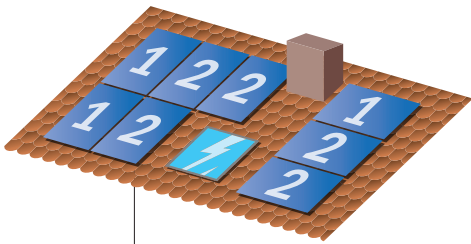
The ValkBox 1 for pitched roofs

The ValkBox 1-First set is the basic system for application to pitched roofs with roof tiles. The box contains all the mounting materials required to mount the first panel in a row. The unique Smartline roof hooks and specially adjustable end clamps (from 28 to 50 mm) allow almost any type of solar panel to be fixed. The panels can be mounted in portrait or landscape position.



The ValkBox 2 for pitched roofs

The ValkBox 2-Next set is the follow-up system for pitched roofs and contains all the mounting materials required to extend a row by one panel, including 2 panel alignment pins and 2 adjustable panel intermediate clamps. These clamps have a plastic spring so they are not displaced when mounted in advance in the profile. Special conical edges ensure a perfect alignment when tightening the screws.



The ValkBox 1-First set for the first panel in each row, and the ValkBox 2-Next set for each extension panel.



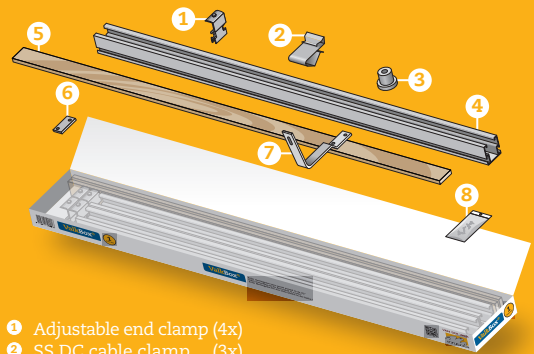
The ValkBox 3 for flat roofs

The ValkBox 3-Uni set contains all of the mounting materials required to install one solar panel (landscape) on a flat roof. Like 2 aluminium brackets with a tilt angle of 20 degrees (anodised for a long lifespan) and 4 special rubber tile supports for optimal pressure distribution. The ValkBox 3 includes an independent unit, so that you do not have to link anything together when you want to extend. A clever hinge system makes the panel tiltable, so it is easy to place ballast tiles (300 x 300 mm). To calculate the correct ballasting, a clear ballast table with regional wind and building height variables included.

What the ValkBox 1, 2 and 3 have in common

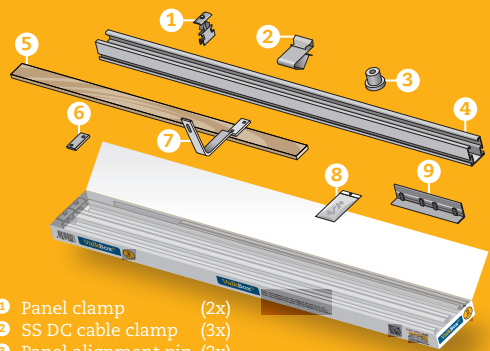
- All materials for mounting one panel in a single box
- Suitable for pitched and flat roofs and practically every type of solar panel
- Clear directions for a safe and rapid mounting
- Special stainless steel DC cable clamps (no cable ties required)
- Systems developed according to Eurocode standards
- Optionally available: clamps for attaching a micro-converter

ValkBox 1-First set



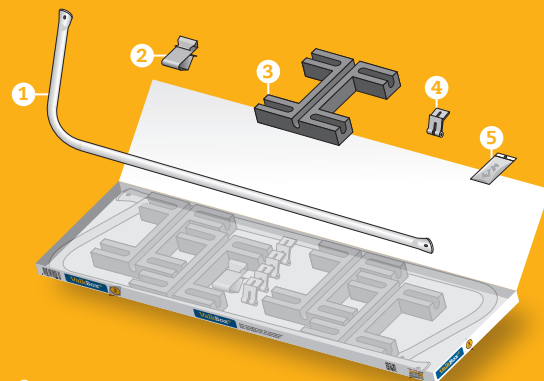
- | | |
|-----------------------------|----------------------------|
| 1 Adjustable end clamp (4x) | 6 Plastic shim (16x) |
| 2 SS DC cable clamp (3x) | 7 Smartline roof hook (4x) |
| 3 Panel alignment pin (2x) | 8 Mounting material (3x) |
| 4 Side light profile (2x) | |
| 5 Impregnated wood (2x) | |

ValkBox 2-Next set



- | | |
|----------------------------|----------------------------|
| 1 Panel clamp (2x) | 7 Smartline roof hook (2x) |
| 2 SS DC cable clamp (3x) | 8 Mounting material (3x) |
| 3 Panel alignment pin (2x) | 9 Coupling (2x) |
| 4 Side light profile (2x) | |
| 5 Impregnated wood (2x) | |
| 6 Plastic shim (8x) | |

ValkBox 3-Uni set



- | | |
|----------------------------|--------------------------|
| 1 Aluminium bracket (2x) | 4 Panel clamp (4x) |
| 2 SS DC cable clamp (3x) | 5 Mounting material (1x) |
| 3 Rubber tile support (4x) | |

Van der Valk Solar Systems

Van der Valk Solar Systems is a specialist company that is fully focused on developing and producing mounting systems for use with solar panels. To this end we work in close collaboration with Van der Valk Systemen, our sister company. Van der Valk Systemen has been a well-known name in the field of moving systems and stationary components for the greenhouse horticultural sector and industry throughout the world since 1963. Van der Valk Systemen's high quality products have been individually developed from a scientific approach and produced with mathematical precision. They are made to be low-maintenance and to stand out thanks to their durability, reliability, functionality and ease of assembly. Both Van der Valk Systemen and Van der Valk Solar Systems only introduce innovative products to the market. Our shared business complex consists of 20,000 m² of offices and production facilities, in which modern machinery and the latest technologies facilitate development, manufacturing and testing that is fast, flexible and precise.



The mounting systems of Van der Valk Solar Systems are delivered and installed by an extensive network of dealers (installation companies and project organizations). We are happy to help you look for the correct point of contact in your area.

VAN DER VALK SOLAR SYSTEMS OFFERS YOU:

- **Innovative systems of European quality**
- **Rapid, reliable deliveries**
- **Maximum technical support**
- **Tracking and fixed mounting systems for:**

Patented



Open fields Pitched roofs Flat roofs Greenhouses Water features

VAN DER VALK



V5-2013

PLEASE CONTACT VAN DER VALK SOLAR SYSTEMS, YOUR INSTALLATION COMPANY OR PROJECT ORGANIZATION FOR FULL INFORMATION.