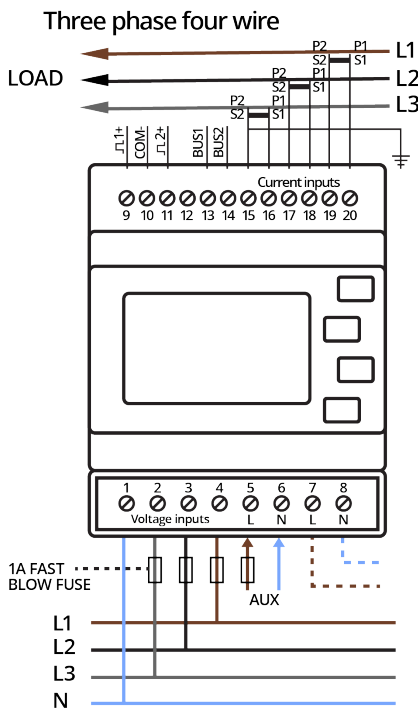


INSTALLATION GUIDE

GEM630 /SDM630MCT



PINS

1	Neutral	14	RS485 A (To Inverter +ve)
2	L3 Voltage Monitor	15	L3 CT Black
3	L2 Voltage Monitor	16	L3 CT White
4	L1 Voltage Monitor	17	L2 CT Black
5	Meter Power Live (Link to Pin 2)	18	L2 CT White
6	Meter Power Neutral (Link to pin 1)	19	L1 CT Black
13	RS485 B (To Inverter -ve)	20	L1 CT White

METERING

Every 3 Phase system will need 1 GEM630 (ID1) meter installing to monitor the import and export of the building. Every GEM630 meter needs a 230V power supply and a voltage reference point.

This could be a dedicated supply from a 6A, for example.

Every GEM630 meter will need a data connection back to the inverter's meter communication port. Positive is A (TX+) and negative is B (TX-).

Data connection should be twisted pair cable, for example, Belden multi-stranded cable.

GEM630 meters come with 3 split core CT that has a 2m cable.

This must not be cut down or extended.