

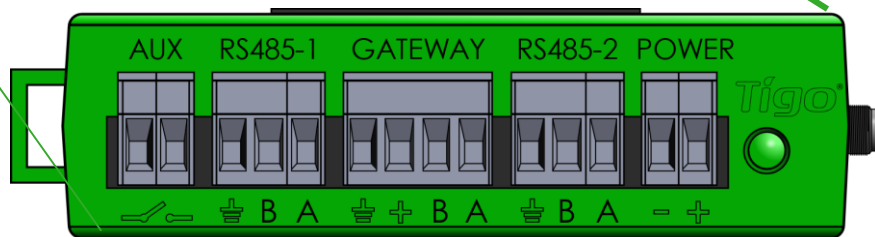
### 3. INSTALLING THE CLOUD CONNECT ADVANCED (CCA)

#### OPTIONAL

Connect an External Switch for PV-OFF, [click here](#) for instructions

**Network**  
Wired **Ethernet** and **Wi-Fi** connections

1



**RS485**  
For 3<sup>rd</sup> party devices

**RS485**  
For 3<sup>rd</sup> party devices

**Power Supply**  
24Vdc input

3

**Wireless Capabilities**  
Use Wi-Fi for your Internet connection and for commissioning with a smartphone

**Gateway**  
Plug in GTWY(s) cable after all the GTWY(s) are connected in series (next page)

2

For Rapid Shutdown, install on the same AC panel as the inverter

#### WHERE TO PLACE:

- On a wall or beam
- Next to the inverter
- **Out of direct sunlight**

#### 3 CONNECTIONS:

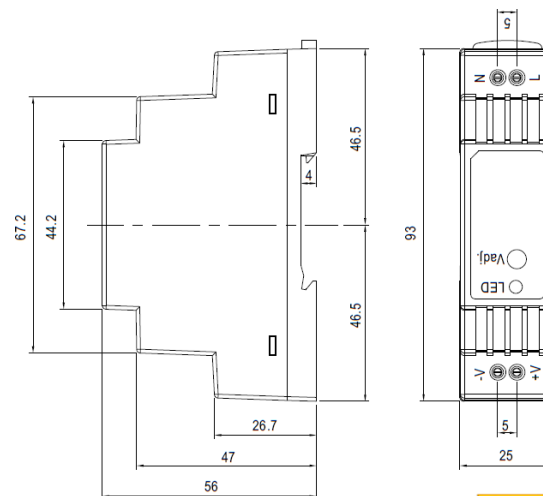
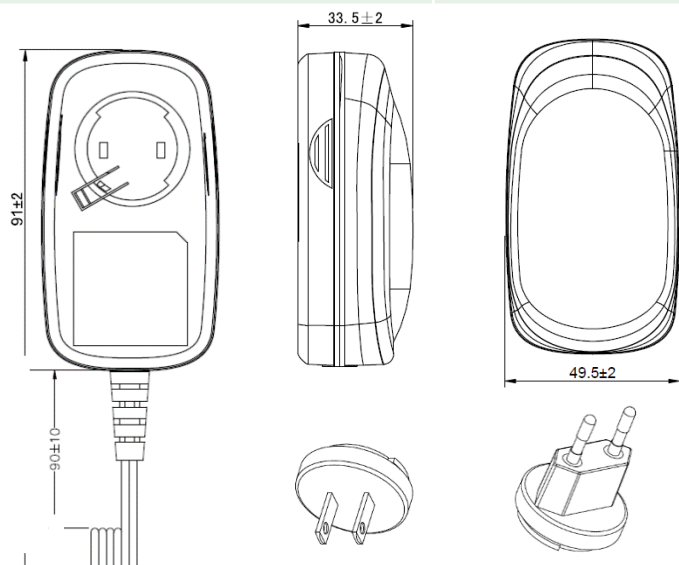
1. Internet connection, using one of the options:
  - Ethernet Port
  - Built in Wi-Fi
  - Wi-Fi connection is configured using the Tigo SMART app
2. Gateway
  - Connect using RS485 cable
3. Power supply

\*In case CC is mounted in a metal enclosure, extend this antenna out of the box in order to use Wi-Fi as an Internet connection

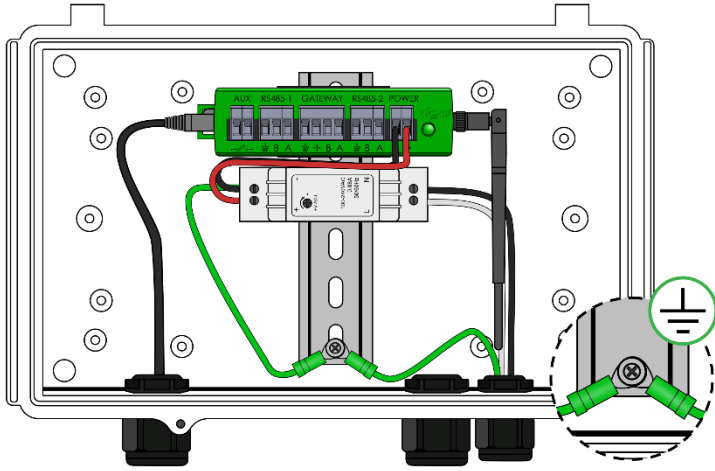


# POWER SUPPLY OPTIONS

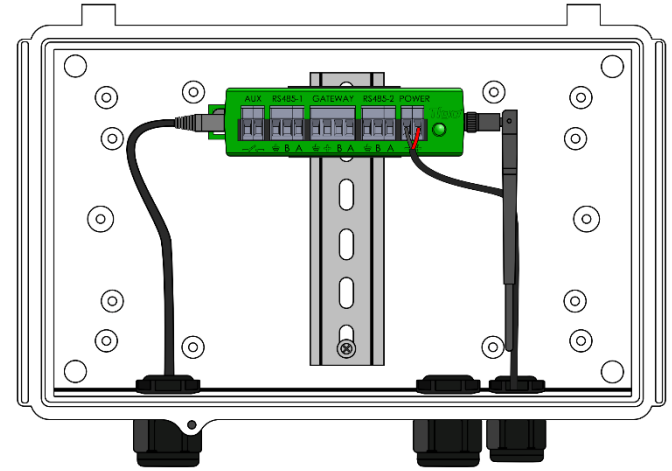
Wall Outlet Plug (DC Transformer)		Din Rail	
Tigo Power supply only P/N	983-00070-00	Tigo Power supply only P/N	983-00054-00
Tigo CC Kit P/N	333-00000-10	Tigo CC Kit P/N	333-00000-00
Manufacturer, P/N	Click, CPS024240100*	Manufacturer, P/N	Mean Well, DR-15-24
Input	85-264VAC 47Hz-63Hz	Input	100-240VAC 50Hz/60Hz
Output	24VDC 0.63A	Output	24VDC 1A
Temperature rating	0°C to +45°C	Temperature rating	-20°C to +60°C



## CLOUD CONNECT ADVANCED (CCA) WIRING REFERENCE



CCA with DIN rail power supply



CCA with DC transformer

- Connect DC leads from power supply to CCA
- Connect AC and DC ground wires to DIN rail
- Connect AC power input to power supply
- Connect DC leads from power supply to CCA

[Click here for the Cloud Connect installation quick start guide](#)



## CCA LED STATUS INFORMATION

- Auto PV Safe



- A blinking red and yellow LED indicates that the system automatically entered PV-Safe mode.

- User PV Safe



- A blinking green and yellow LED indicates that PV-Safe mode was activated manually.

- SMART App activity



- A blinking green LED indicates that the mobile app is connected to the CCA and is actively in use.

- Discovery



- A blinking yellow LED indicates that the CCA is scanning for Gateways and smart modules (part of the commissioning process).

- Error



- A solid red LED indicates that the Discovery process failed or that the CCA is not able to connect to the Tigo server. In case of errors, connect to the CCA using the mobile app for more details.

- Warning



- A solid yellow LED indicates that: Discovery has not been run, Discovery completed but did not find all expected Gateways or modules, or CCA is not able to upload data. Connect to the CCA using the mobile app for more details.

- System OK



- A solid green LED indicates that Discovery is complete and found all expected Gateways and smart modules, and CCA is able to connect to the Tigo server.

- Power Off / No Status



- An unlit LED indicates that the CCA is powered off.

