

Thermino® ePlus Installation & User Instructions



NOTICE

Please read & understand all these instructions before commencing installation.

Failure to install and operate this Heat Battery in accordance with these instructions will invalidate the manufacturer's warranty.

Please leave this manual with the customer for future reference.



CONTENTS

1. Introduction	4
1.1 General.....	4
1.2 Symbols Used	4
1.3 Abbreviations.....	5
1.4 Responsibilities	6
2. Safety.....	8
2.1 General Safety Notices	8
3. Product Specifications.....	10
3.1 Technical specifications	10
3.2 General Overview	11
3.3 Dimensions.....	12
3.4 Weights	13
3.5 Pressure Loss.....	13
4. Product Overview	14
4.1 General Description	14
4.2 How it Works	14
4.3 Intended Use	15
4.4 Storage & Handling	15
5. Pre-Installation	17
5.1 Water supply	17
5.2 Locating the appliance.....	18
6. Installation	20



6.1 General.....	20
6.2 Water Connections	21
6.3 Mandatory Plumbing Components	28
6.4 Electrical Connections.....	30
7. Commissioning	37
7.1 General.....	37
7.2 Pre-Commissioning Checklist	37
7.3 Commissioning Process	37
8. Operation	41
9. Maintenance.....	43
10. Troubleshooting	44
11. Decommissioning & Disposal	45
11.1 Decommissioning.....	45
11.2 Disposal.....	45
12. Accessories	47



1. INTRODUCTION

1.1 GENERAL

The following instructions provide guidance for the installer and user of Thermino® ePlus Heat Batteries.

The installation must be carried out by a competent installer in accordance with local codes and regulations for plumbing, electrical installations and potable water supply.

1.2 SYMBOLS USED

In these instructions the following symbols are being used to draw the user's attention to information of particular importance.



WARNING

Indicates a hazardous situation that, if not avoided, could result in death or serious injury.



CAUTION

Indicates a hazardous situation that, if not avoided, could result in minor or moderate injury or material damage.



NOTICE

Signals information that is considered important but not hazard related.



1.3 ABBREVIATIONS

The following abbreviations are used in the manual:

- BERV – Back-Expansion Relief Valve
- DSR – Demand Side Response
- EV – Expansion Vessel
- HW – Hot Water
- PCBA – Printed Circuit Board Assembly
- PCM – Phase Change Material
- PRV – Pressure Reducing Valve
- TMV – Thermostatic Mixing Valve
- VIP – Vacuum Insulation Panel

Please visit <https://sunamp.com/en-gb/optimino-resources-for-installers/> or refer to document D0085 for an up-to-date list of compatible Power Diverter products when using Solar PV as an external heat source.





1.4 RESPONSIBILITIES

Manufacturer's Responsibilities

Our products are manufactured in compliance with the requirements of applicable EU & UK laws and regulations. More information can be found in the Declaration of Conformity supplied with the Heat Battery.

As an innovative company committed to achieving net zero, Sunamp continuously improves its products, which means that all specifications and other information stated in this manual are subject to change without prior notice.

Our liability as the manufacturer may not be invoked in the following cases:

- Failure to abide by the instructions on using the Heat Battery.
- Faulty or insufficient maintenance of system components protecting the Heat Battery.
- Failure to abide by the instructions on installing the Heat Battery.

Installer's Responsibilities

The installer is responsible for the installation and the commissioning of the Heat Battery. The installer must:

- Ensure they are suitably qualified for the level of plumbing and electrical work required for the installation of this Heat Battery.
- Read, understand, and follow the instructions given in the manuals provided with the Heat Battery.
- Comply with the prevailing legislation and standards when carrying out the installation.



- Perform the initial start-up and carry out any checks necessary.
- Complete the commissioning procedure and checklist in this manual.
- Explain the installation to the user.
- If maintenance on system components is necessary, warn the user of the requirement to check the system components to maintain the system in good working order.
- Give all the instruction manuals to the user.

User's Responsibilities

To achieve optimum operation and longevity of the Heat Battery, the user must adhere to the following instructions:

- Read and follow the instructions provided in the manuals provided with the Heat Battery.
- Call on qualified professionals to carry out installation, initial start-up and commissioning.
- Ask your installer to explain your installation to you.
- Ensure that system components are maintained as necessary.
- Keep the instruction manuals in good condition and close to the Heat Battery.



CAUTION

Children shall not play with the Heat Battery.
Cleaning and user maintenance shall not be carried out by children.
Children must be supervised to ensure they do not play with the Heat Battery.



2. SAFETY

2.1 GENERAL SAFETY NOTICES



WARNING

Only competent persons suitably qualified to carry out plumbing and electrical work may undertake installations, repairs or relocations of the Heat Battery.

Product training on the full range of Thermino Heat Batteries is available from Sunamp or authorised training partners. For more information please visit

<https://sunamp.com/en-gb/information-hub/training/>.



CAUTION

Do not operate the immersion heater until all heat exchanger circuits have been filled and the plumbing has been appropriately commissioned.



WARNING (USER)

If this Heat Battery develops a fault, switch it off at the nearest isolator and contact the installer. Shut off the water supply to the Heat Battery if necessary.

There are no user serviceable, adjustable, or settable parts in this Heat Battery. DO NOT remove or adjust any component, cover, or part of this Heat Battery- please contact your qualified installer.

DO NOT bypass the thermal cut-out(s) in any circumstances.



3. PRODUCT SPECIFICATIONS

3.1 TECHNICAL SPECIFICATIONS

	Unit	70 ePlus	150 ePlus	210 ePlus	300 ePlus
Fresh water content ¹	L	3.2	3.2	6	12.8
Equivalent Hot Water Cylinder Size ²	L	74	140	212	306
Volume of hot water available at 40°C (V40) ³	L	105	199	301	436
Heat loss	kWh/24h (W)	0.48 / (20)	0.67 / (28.1)	0.77 / (32.1)	0.84 / (34.9)
Energy label class ⁴	-	C	C	C	C
Maximum HW flow rate ⁵	L/Min	6	15	20	25
Minimum supply pressure at Heat Battery inlet	MPa (Bar)	0.15 (1.5)	0.15 (1.5)	0.15 (1.5)	0.15 (1.5)
Recommended operating pressure/PRV set point	MPa (Bar)	0.3 (3)	0.3 (3)	0.3 (3)	0.3 (3)
Maximum operating pressure/PRV set point	MPa (Bar)	0.5 (5)	0.5 (5)	0.5 (5)	0.5 (5)
BERV recommended set point	MPa (Bar)	0.6 (6)	0.6 (6)	0.6 (6)	0.6 (6)
Maximum design pressure / BERV maximum set point	MPa (Bar)	1.0 (10)	1.0 (10)	1.0 (10)	1.0 (10)
Pressure loss characteristics	-	See Figure 3			
Recommended TMV setting	°C	45-55			
Connected load at ~ 230 V, 50Hz	W	2800			
Power supply Standby consumption	W	1 PH AC 230 V 7			
Electrical efficiency (η_{elecwh}) ⁶	%	81.4	89.6	93.8	93.3
Annual electricity consumption (AEC) ⁶	kWh/yr	542	1,398	2,690	2701
Tapping cycle ⁶	-	S	M	L	L

Table 1 - Thermino ePlus technical specifications

Table 1 Notes:

1. Water content of the Heat Battery for sizing expansion vessels.
2. Calculated from the storage capacity of the Heat Battery and assuming that the equivalent hot water cylinder thermostat is set at 60°C, mains cold water inlet temperature is at 10°C and the stored energy utilisation factor of the cylinder is 0.85.

3. The hot water volume available from the Heat Battery normalised to an average outlet temperature of 40°C when it is fully charged by the electric heating element.
4. When installed as an alternative to an electric water heater.
5. While the Heat Battery can deliver higher flow rates than those listed, doing so will result in reduced performance in terms of duration of discharge and energy provided.
6. Based on standard: BS EN 50440:2015

3.2 GENERAL OVERVIEW

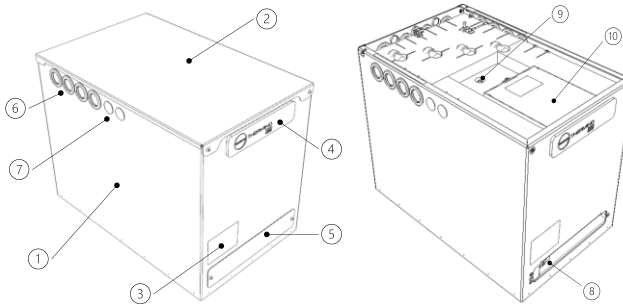


Figure 1 - General overview of the Thermino ePlus Heat Battery

Item	Description
1	Heat Battery - Main body
2	Heat Battery - Lid
3	Heat Battery data badge / Serial number
4	Controller interface
5	Heater terminal cover plate
6	Pipe entries (3 sides)
7	Cable entries (3 sides)
8	Non-self-resetting thermal cut-out (Remove Heater Terminal cover plate (5))
9	Heat Battery Temperature Sensor Dry Pocket*
10	Heat Battery Controller

Table 2 - General overview of the Thermino ePlus Heat Battery

*Do not insert temperature sensors other than those supplied with the Heat Battery.



3.3 DIMENSIONS

General Dimensions

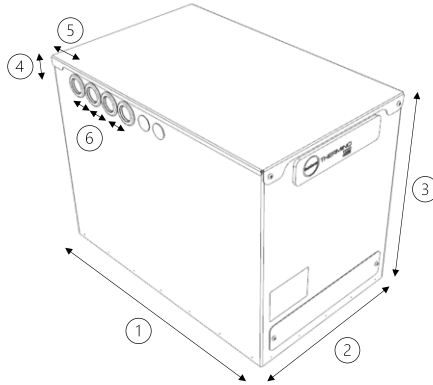


Figure 2 – Thermino ePlus Heat Battery dimensions

All data in mm		Thermino 70 ePlus	Thermino 150 ePlus	Thermino 210 ePlus	Thermino 300 ePlus
1 – Length		575			
2 – Width		365			
3 – Height		440	640	870	1050
Centre of side pipe-entry from	4 -Top	37			
	5 - Rear	78			
	6 - Centre of next pipe	50			
Centre of rear pipe-entry from (not shown)	Top	37			
	Sides	78			
	Centre of next pipe	70			

Table 3 - Thermino ePlus Heat Battery dimensions



3.4 WEIGHTS

All data in kg	Thermino 70 ePlus	Thermino 150 ePlus	Thermino 210 ePlus	Thermino 300 ePlus
Gross weight	78	139	175	223
Net weight (empty)	75	136	172	220
Net weight (filled)	79	140	178	233

Table 4 – Thermino ePlus Heat Battery weights

3.5 PRESSURE LOSS

The Pressure Loss values detailed in Figure 3 are the pressure differences between the Cold-Water Inlet (Port A or Port A&B for Thermino 300 ePlus) and Hot Water Outlet (Port D or Port C&D for Thermino 300 ePlus) of the Heat Battery.

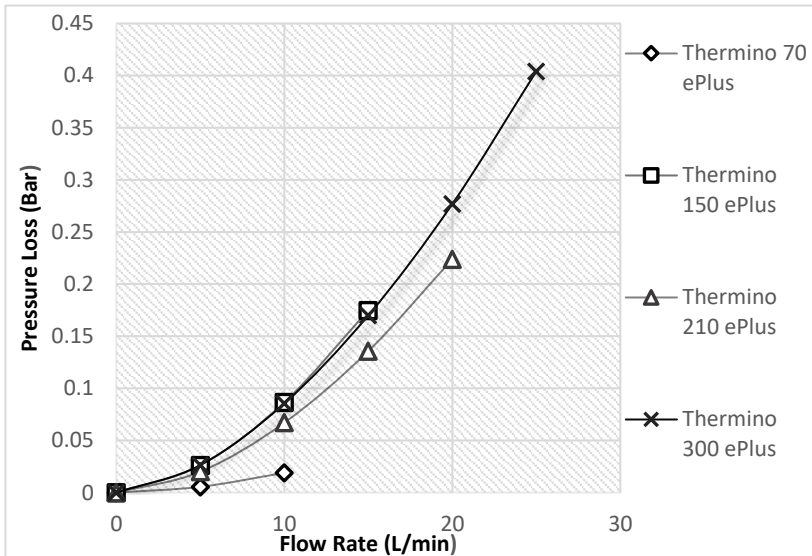


Figure 3 – Thermino ePlus Heat Batteries pressure loss



4. PRODUCT OVERVIEW

4.1 GENERAL DESCRIPTION

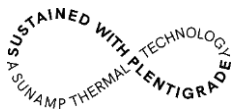
Sunamp Thermino® ePlus Heat Batteries are modern-day, energy-saving thermal stores made with a high performance Phase Change Material (PCM) to deliver fast-flowing hot water reliably, safely, and efficiently. Up to four times smaller than the equivalent hot water cylinder, the sleek, super-compact design means the Thermino looks great in any home and frees up valuable storage space. They are also easy to install and require no mandatory annual maintenance (see Section 9 for more information).

Thermino ePlus Heat Batteries are charged by the internal heating element and can be configured to work with electricity from the power grid or with excess power from a solar PV installation (Optimino® key required).

4.2 HOW IT WORKS

The secret to the success of Sunamp Heat Batteries is our world leading, patented Plentigrade® technology. The Thermino range uses the high performance, non-toxic and non-flammable Plentigrade P58 PCM to deliver hot water on demand.

PCMs absorb, store and release large amounts of latent heat when changing state between solid and liquid. Our unique formula stores up to four times more energy than water over the same temperature range, which means Thermino Heat Batteries are up to four times smaller than the hot water cylinders they replace.



The 'Sustained with Plentigrade' quality mark on our products is assurance of performance, efficiency, material safety, and reliability.



4.3 INTENDED USE

Sunamp Thermino ePlus Heat Batteries are intended for use as hot water appliances for domestic and residential uses only.

The product is intended for installation in a frost-free and weather-protected environment, where it cannot be damaged by weather conditions.

4.4 STORAGE & HANDLING



WARNING

Take into account the weight of the Heat Battery (Table 4) and local Health & Safety Regulations and Practices when considering safe lifting methods for moving the Heat Battery.

Verify all floors during transportation, storing or installation of the Heat Battery are suitable for the product weight (Table 4).

The Heat Battery **MUST** not be stepped or sat on at any time during storage, handling, installation and use.



CAUTION

The Heat Battery must be stored in a dry, weather-protected and frost-free environment. The Heat Battery will incur damage if exposed to weather conditions including but not limited to rain, snow and extremes of temperature.



CAUTION

Do not tilt the product more than 45 degrees during the transportation or installation process.



5. PRE-INSTALLATION



CAUTION

Ensure that the following requirements have been considered and are met before choosing or installing a Sunamp Thermino Heat Battery.

5.1 WATER SUPPLY

- The Heat Batteries are not suitable for tank fed hot water systems. Tank fed hot water systems have to be converted to mains pressurised systems when installing a Sunamp Heat Battery.
- Ensure that the water supply requirements are within the Minimum and Maximum Pressure & Maximum Flow Rates detailed in (Table 1).
- Where mains water hardness can exceed **150 ppm Total Hardness**, you **MUST** install a scale reducing device in the cold-water supply to the Heat Batteries.
- Limescale can be controlled using chemical limescale inhibitors, polyphosphate dosing, electrolytic scale reducers or water softeners (please refer to the manufacturer's instructions for servicing any water conditioning system).
- All system components used in the Heat Battery installation **MUST** be suitable for potable water and approved by local water regulations.
- Use of the Heat Battery in combination with any additives to water (with the exception of suitable water softeners in areas where water hardness exceeds 150ppm – please



refer to above points), including dye, coolant or soldering flux, will invalidate the Heat Battery warranty and are not considered standard intended use.

5.2 LOCATING THE APPLIANCE



CAUTION

The Heat Battery **MUST** be installed indoors and in a frost-free environment. Installations in locations such as unheated attics, garages etc may result in damage to the appliance and will affect your warranty. Please refer to the warranty terms and conditions and, if in doubt, contact Sunamp customer support.



NOTICE

Installation of the product at a height may affect the terms of your warranty. Please refer to the warranty terms and conditions and, if in doubt, contact Sunamp customer support.

- Assess the location where the Heat Battery will be installed, for the spatial & clearance requirements of the Heat Battery (Figure 4, Table 5).
- Ensure that the location chosen has a hard, solid and level surface that can withstand the weight of the Heat Battery as detailed in (Table 4)
- Ensure that the Heat Battery can be transported to the desired installation location, taking into account the weight of the Heat Battery and safe lifting methods according to local Health & Safety Regulations and Practices.

- If using multiple Heat Batteries, do not stack the Heat Batteries with internal controller directly on top of each other. Racking must be used to ensure access to the water connections and controller.
- The following clearances should be considered:

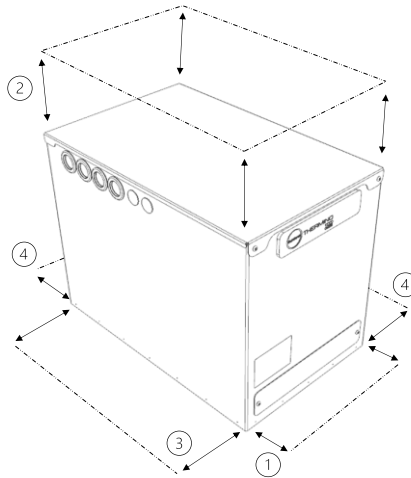


Figure 4 – Thermino ePlus Heat Battery Spatial Requirements

Item	Distance	Notes
1	150mm	To access terminal cover and to ensure visibility of the data badge and LEDs
2	450mm	To remove lid and access internals
3	150mm	To allow for pipe and cables entry and minimum cable-bend radiuses (side dependent)
4	10mm	If no access required (side dependent)
-	< 3000mm	Recommended length of cable runs

Table 5 - Thermino ePlus Heat Battery Spatial Requirements



6. INSTALLATION

6.1 GENERAL



WARNING

Before commencing the Hydraulic Installation of the Heat Battery, you must ensure that the Heat Battery is electrically isolated from the Mains.



CAUTION

To avoid damage to the VIP insulation of the appliance do not:

- Carry out work that may leave sharp or abrasive residue in the Heat Battery, such as deburring of pipes, drilling of holes or stripping of wires above the open appliance.
- Deposit tools in the open appliance.
- Use sharp objects, such as cutters or similar, to cut grommets or insulation layers while they are located in the appliance.



NOTICE

Prior to installing the Heat Battery, please familiarise yourself with the product by looking at Figure 1 & Table 2 (general product overview) and ensure that all pre-installation requirements (Chapter 5) are met.

- Remove lid. The lid is secured by 2 x M5 button head cap screws at the front and two locating pins at the back (Figure 5):
 - (1) Remove 2 x M5 button head cap screws using 3mm hex head and set aside.
 - (2) Slide the lid forward, (3) then lift the lid up and set aside.

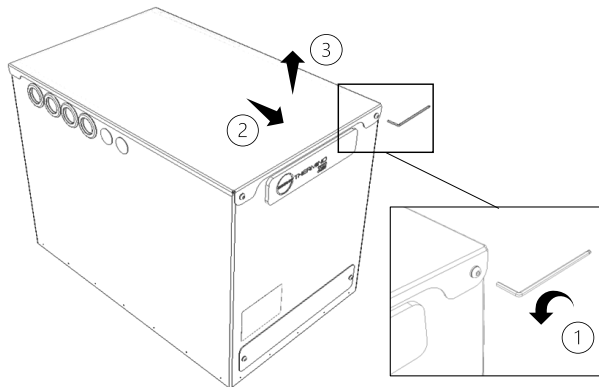


Figure 5 - Lid Removal of Thermino ePlus Heat Battery

6.2 WATER CONNECTIONS



WARNING

All connection pipe work inside the Heat Battery casing **MUST** be using **Ø 22mm copper pipe**. This is to allow the earth connection between the case, inlet, and outlet pipe fittings.



CAUTION

All Plumbing components used for the Heat Battery installation **MUST** be approved for use with potable water according to local water regulations.

Do not fit any check valves between Heat Battery, BERV & Expansion Vessel.

The Heat Battery controller lid **MUST** be kept closed whilst performing any hydraulic works. This is to avoid water or particles coming into contact with the PCBA and other electrical components & wiring of the Heat Battery controller.

Do not carry out hot works on the appliance.

Please follow the instructions below in conjunction with Figure 7 & Figure 8 for the Heat Battery hydraulic installation:



NOTICE

Sizing of the pipe work must consider mains water supply pressure, the design flow rates, size of the Heat Battery and pressure loss detailed in Figure 3.

- Remove the top two layers of insulation (layer 1 is 10mm and layer 2 is 32mm thick) and set aside.
- Rotate the elbows to the side you wish to connect the hydraulics (left, right or back) (Figure 6).
- For Thermino 70, 150 & 210 ePlus products, the cold water inlet must be connected to Port A & the hot water outlet to Port D (Figure 6, left hand side).
- For Thermino 300 ePlus products, the cold water inlet must be branched into Ports A & B and the hot water outlet branched into Ports C & D (Figure 6, right hand side).

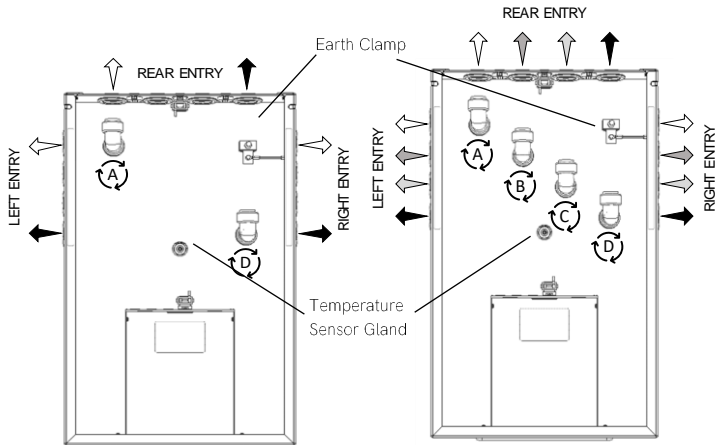


Figure 6 - Thermino ePlus Ports (70-210 left, 300 right)

- Remove the respective rubber grommets (Item 3 - Figure 10) in the outer housing and cut the centres (with a cross) with a knife. Re-insert the cut grommets. Do not cut the grommets in place, as this may damage the VIP.



NOTICE

It is recommended that the pipes exiting the Heat Battery are installed in a manner that avoids thermo-syphons, as this may increase the heat losses of the installation.

- Cut and prepare the $\varnothing 22$ mm copper pipe to suit the rest of the installation / system:
 - Always cut the pipe uniformly and at a 90-degree angle, using a rotary pipe cutter whenever possible. Ensure the cutter wheel is appropriate for the copper pipe.
 - Deburr the pipe end, both internally and externally to create a 1mm chamfer on the outside of the pipe.



- Check the pipe ends are free from damage and clean, wiping away any swarf to avoid damaging the 'O' ring inside the push-fit elbow upon pipe insertion.
 - The pipe end must also be free from stickers, tape and adhesive residues.
 - Mark the socket depth (27mm) on the pipe with a marker.
 - Insert the pipe firmly with a slight twisting action until it reaches the pipe stop with a positive "click".
 - Ensure the depth insertion mark corresponds with the mouth of the fitting, then pull firmly on the pipe to ensure the fitting is secure.
- Fit the earth clamp to the Ø22mm copper pipe.
 - Connect to the rest of the fixed system hydraulics.
 - If carrying out hot works (such as soldering, welding or brazing) these must be performed on pipes detached from the Heat Battery (minimum 1 metre away).
 - Fill the system with water, purging any air out of the system. This may take several minutes and can be aided by repeatedly opening and closing the outlet.
 - Once finished purging and with the system pressurised, inspect the piping/tubing and joints for any leaks. Take remedial action if necessary.



NOTICE

After completion of the leak checks or commissioning process, all connected pipes **MUST** be adequately insulated for **at least 1m** from their connection points with the Heat Battery to avoid increased heat losses through the connected pipework.



Item	Description	Notes
1	Mains Cold Water Supply	
2	Mains Check Valve	The Installer MUST inspect the presence of this in the property and install a BERV if present or unsure as detailed in (4).
3	Mains Cold Water Pressure Reducing Valve	This MUST be fitted (please see Table 7 for more information).
4	Mains Back-Expansion Relief Valve	This MUST be fitted. The maximum rating of the Valve MUST be no higher than 10 Bar (please see Table 7 for more information).
5	Expansion Vessel	This MUST be fitted. The Charge Pressure of the EV MUST be equal to the pressure setting of the PRV (item 3) (please see Table 7 for more information).
6	Cold Water Inlet connection to Heat Battery port A (or ports A&B)	Combine ports A&B using provided pipe branches for Cold Water Inlet connection for Thermino 300 ePlus.
7	Hot Water Outlet connection to Heat Battery port D (or ports C&D)	Combine ports C&D using provided pipe branches for Hot Water Outlet connection for Thermino 300 ePlus.
8	Hot Water Tempering Valve	This MUST be fitted & regulated to provide hot water output ranging between 45°C and 55°C.
9	Hot Water Flow Regulator Valve	Set the flow rate at the outlet of the Heat Battery to match the maximum recommended flow rate for the relevant Heat Battery size (Table 1).
10	Hot Water Isolation Valve	
11	Hot Water Supply to Dwelling	
12	Cold Water Supply to Dwelling	
13	Heat Battery Isolation Valve	This MUST be fitted (please see Table 7 for more information).
14	Anti-thermosiphon (U-bend) pipework	Recommended if the pipework from the appliance is plumbed horizontally or vertically upwards.
-	Pipework Insulation	All exposed pipework should be adequately insulated.

Table 6 - Figure 7 & Figure 8 diagram descriptions

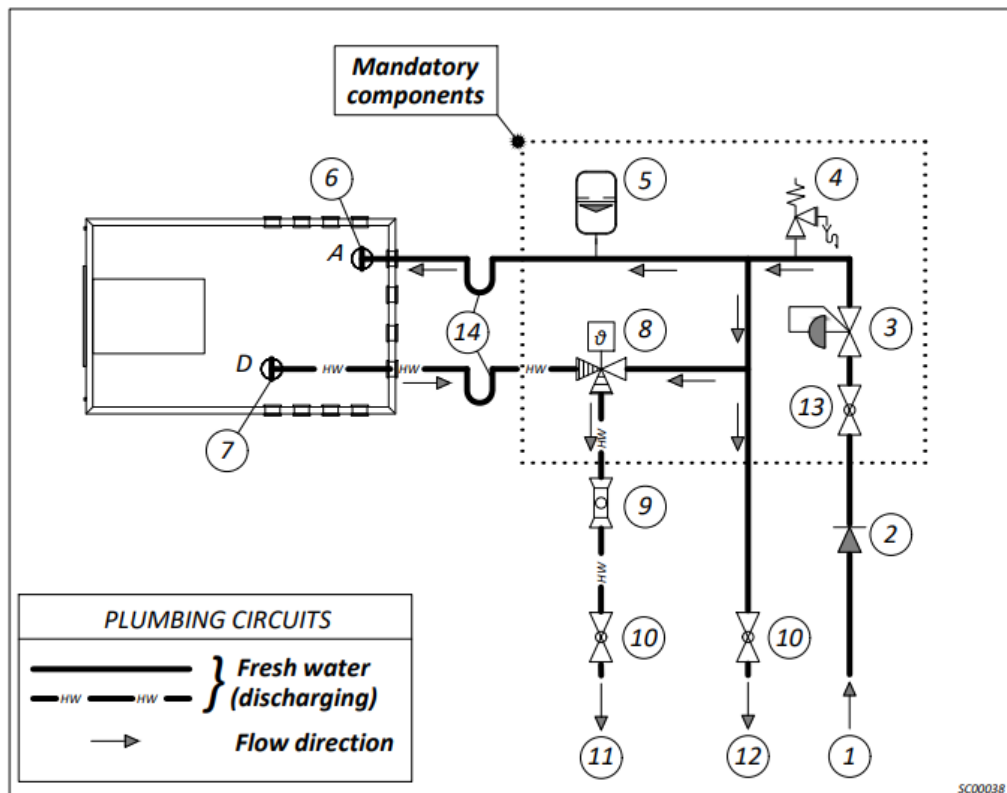


Figure 7 - Thermino 70, 150 & 210 ePlus plumbing diagram

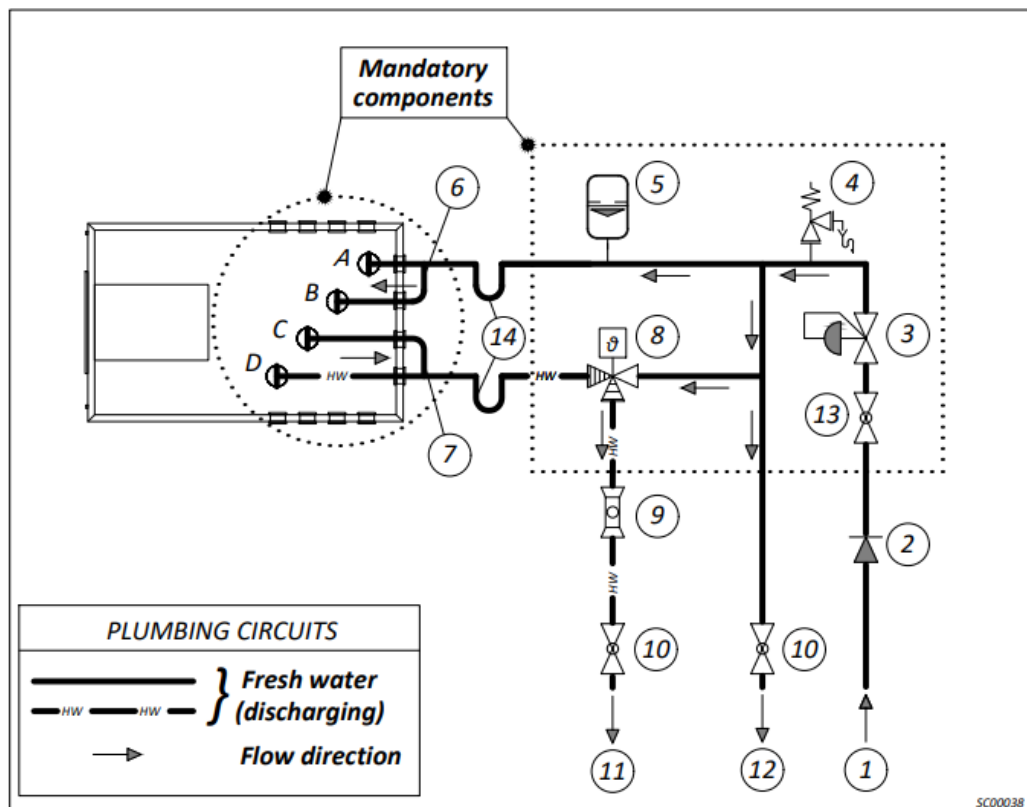


Figure 8 - Thermino 300 ePlus plumbing diagram



6.3 MANDATORY PLUMBING COMPONENTS



CAUTION

The components within the dotted borders in Figure 7 and Figure 8 **MUST** be fitted with each Heat Battery installation (NOT fitting them may lead to Heat Battery damage and invalidation of the warranty).

The BERV can be located away from the Heat Battery, provided there are no check valves between the BERV and the Heat Battery. The BERV can be discharged in existing internal or external drainage according to local codes and regulations.

The following plumbing components are mandatory and are required for the Heat Battery warranty to be valid (items 3, 4, 5, 8 & 13 **MUST ALWAYS** be fitted. The remaining items must be fitted in certain circumstances – please refer to the Notes. Please also refer to the manufacturer’s instructions for the maintenance of these components):

Item	Description	Notes
3	Mains Cold Water Pressure Reducing Valve	The maximum rating of the Valve MUST not exceed the maximum operating pressure of the Heat Battery (see Table 1).
4	Mains Back-Expansion Relief Valve	The maximum rating of the Valve MUST be no higher than the maximum design pressure of the Heat Battery (10 Bar).
5	Expansion Vessel	Charge Pressure of Expansion Vessel MUST be equal to the pressure setting of the PRV (item 3) A minimum of 0.5L expansion vessel is required (please follow the correct calculation methodology for sizing EVs). The charge pressure must be checked & topped up in line with the expansion vessel manufacturer’s instructions for maintenance or annually, whichever is sooner.



Item	Description	Notes
8	Hot Water Tempering Valve	MUST be fitted & Regulated to provide hot water output ranging between 45°C and 55°C.
13	Heat Battery Isolation Valve	MUST be fitted in order to enable safe & adequate Heat Battery maintenance (if required).
-	Water Conditioner	MUST be installed in areas where water hardness can exceed 150ppm.

Table 7 – Mandatory plumbing components



6.4 ELECTRICAL CONNECTIONS



WARNING

All Electrical wiring must be carried out by a competent person and be in accordance with the latest local wiring codes and regulations.



WARNING

Risk of electric shock – potential dual-supply. Always isolate the power supply/ies to the Heat Battery controller before working on the appliance.



CAUTION

Each Heat Battery must be protected by its own 16A MCB and have a double pole isolating switch with a contact separation of at least 3mm in both poles, which is located in close proximity to the Heat Battery.



CAUTION

The Heat Battery must be filled with water and fully vented before switching on the Heat Battery electrical supply.



CAUTION

You must use the strain reliefs supplied with the product to ensure cables are secured in place.



The following Figure 9 identifies the location of terminals and types of wiring used inside the Thermino ePlus Heat Battery controller.

NOTICE



For installation-specific wiring configurations, please refer to sections 6.4.1-6.4.3. For Solar Permanent wiring option, refer to document D0085.

Wiring Diagram
C1413-2
WIRING DIAGRAM TYPE 1-R0_OP - DC P58 EU DSR EL

NOTICE: All wiring sizes 0.75mm², unless stated differently on this diagram

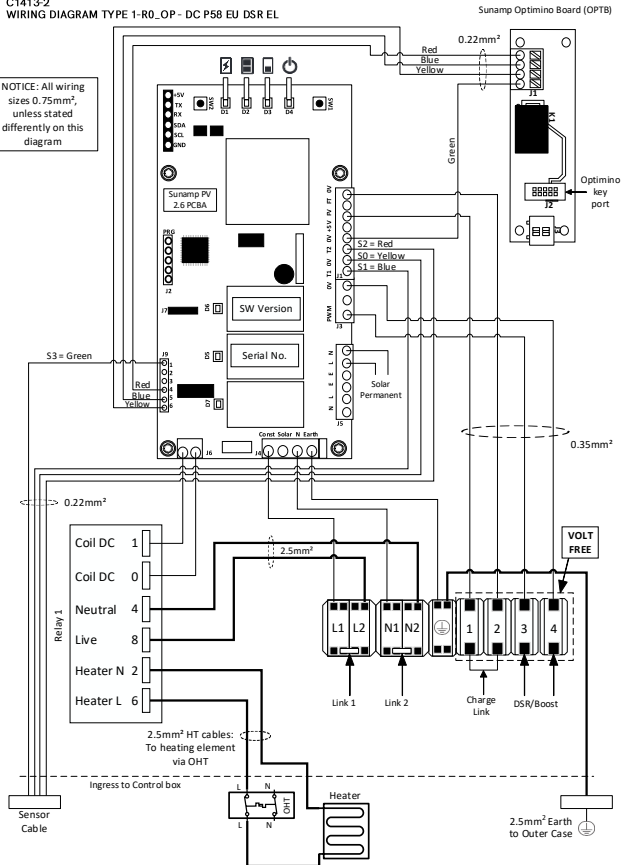


Figure 9 - Thermino ePlus Heat Battery wiring overview



- (Refer to Figure 10) Move the cable strain relief fittings (1) to the side you wish to make the entries / exits. Cover all other holes in the enclosure with the supplied blanking grommets (2).

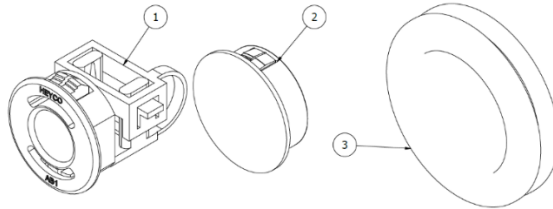


Figure 10 - Thermino Heat Battery Grommets & Strain Reliefs

- Choose the electrical installation type for the Heat Battery
 - Without Solar Power Diversion follow Section 6.4.1, Figure 11.
 - With Solar Power Diversion follow Section 6.4.2, Figure 12.
- Feed the mains cable through the strain relief bushing in the Heat Battery housing.
- If applicable, feed any input or output cables through the additional strain relief fittings provided. Refer to Section 6.4.4 for details.
- Line up the cable strain relief fitting ratchet and compress firmly so that the fitting grips the cable.
- Open the internal controller enclosure using a flat head screwdriver to remove the snap in' lid.
- Connect the wires according to the wiring options if not already fitted.
- Remove or make links according to the wiring options.
- Close the internal controller enclosure by replacing the 'snap fit' lid.
- Ensure that the Heat Battery is earthed correctly by checking that the earth clamp on the copper pipe is secure.

6.4.1 Installation without solar power diversion

When using the Thermino ePlus Heat Battery with a 24/7 mains power supply, the following wiring setup is required. Please refer to Section 6.4.3 for optional control elements, such as timers or boost buttons.

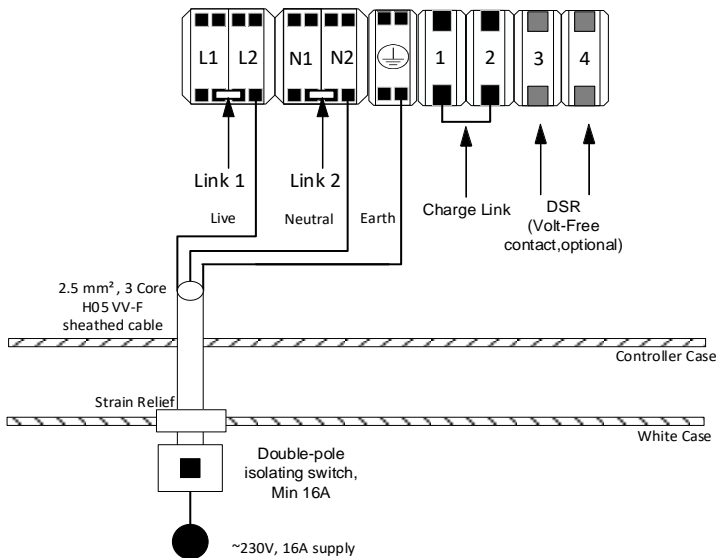


Figure 11 - Thermino ePlus Heat Battery wiring without solar power diversion



6.4.2 Installations with solar power diversion



WARNING

Potential dual-supply - Always isolate both supplies to the Heat Battery controller before working on the appliance. Ensure that Links 1 & 2 are removed (see Figure 12) and that the power diversion controller output is modulating AC.

Modulating DC power diversion controllers are NOT compatible with the product and their use poses a fire risk.



NOTICE

To set the Thermino ePlus Heat Battery into PV mode, insert the PV02 key (available separately) into connector J2 on the Optimino key Baseboard (see Figure 9). This will change the control strategy of the Thermino ePlus Heat Battery to call for heat earlier, maximising the self-consumption of PV electricity in the system and it will also enable the optional solar/permanent switching.

This control mode should not be used with a 24/7 grid supply, as it can lead to increased electricity costs.

Follow your chosen power diversion controller's installation manual and document D0085 for wiring instructions to the power diversion controller.

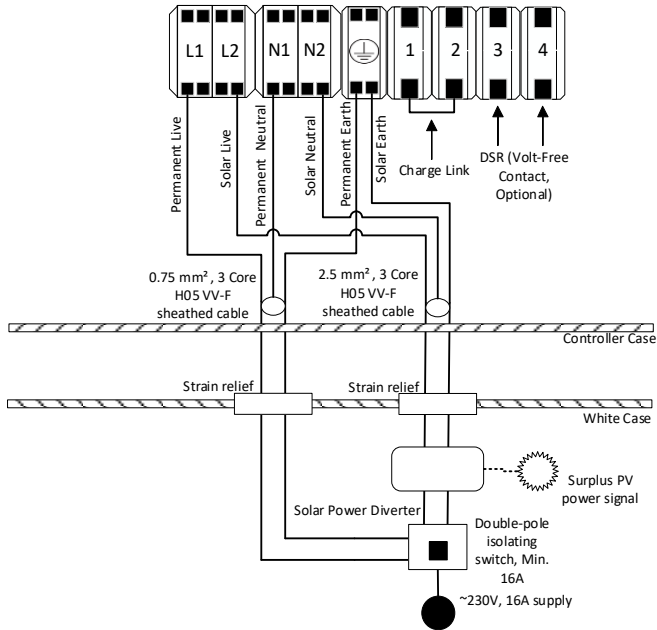


Figure 12 - Thermino ePlus Heat Battery wiring with solar power diversion



6.4.3 Optional Control Inputs & Outputs



CAUTION

Applying excessive downward force onto the PCBA can break the soldering joints. Always remove plug connectors before adding or removing wiring to the screw terminals.

Wiring requirements of the optional inputs & outputs of the Heat Battery can be found in Table 8 The operation details of the inputs & outputs can be found in Section 8.

Function (I/O)	Type	Location	Cable Specification
Time Switch* (Input)	Volt-Free / Dry Contact	Orange Block Connectors 1 & 2**	H05 VV-F, 0.75mm ² , 2 core sheathed cable
DSR/ Boost (Input)	Volt-Free / Dry Contact	Orange Block Connectors 3 & 4	H05 VV-F, 0.75mm ² , 2 core sheathed cable
Solar Permanent (Output)***	~230VAC, 3A	Sunamp PCBA J5 "HEAT" "N" & "L" screw terminals	H05 VV-F, 1.5mm ² , 2 core sheathed cable
Notes: *This function is only available when using the Thermino ePlus Heat Battery without a solar power diversion controller. For the use of Thermino ePlus Heat Batteries with a solar power Diversion controller, the Charge Link MUST remain fixed. ** The Charge Link must be replaced with the volt-free time switch wiring. *** This function is only available for Thermino ePlus Heat Battery with a solar power Diversion controller, for more information on this, please refer to D0085 document.			

Table 8 – Thermino ePlus Controller Inputs & Outputs

6.4.4 Installation of the Optimino key

To install the Optimino key, isolate the appliance from the power supply and refer to the section 6.4. A graphical description of the installation process is provided with the key.

7. COMMISSIONING

7.1 GENERAL



CAUTION

Before commissioning the Heat Battery, first check that you have properly reviewed the previous sections, particularly regarding Heat Battery specifications as well as location, electrical supply and water supply requirements.



CAUTION

The Heat Battery and its associated pipework **MUST** be filled and fully vented before the Heat Battery power supply is switched on.

7.2 PRE-COMMISSIONING CHECKLIST

- Check all packaging material has been removed.
- Check all components are clean and undamaged.
- Adjust PRV if the Pressure exceeds 5 Bar (0.5MPa).
- If present, adjust the flow regulator valve to within the maximum recommended flow rate for the Heat Battery size installed.

7.3 COMMISSIONING PROCESS

1. Check that the temperature sensor of the Heat Battery has not become dislodged during transport and is fully inserted into its pocket. The white marker should be sitting on top of the blue cable gland (see Figure 6).
2. Turn on the water supply and check that there are no leaks.



3. Fully open any hot water taps in the dwelling and allow it to run for a **minimum time of 2 minutes**. This is for any air to leave the system. This may vary depending on Heat Battery model size.



NOTICE

For larger models such as the Thermino 210 ePlus & Thermino 300 ePlus, the **minimum flush time should be increased to 4 minutes**.

4. Switch on the power supply to the Heat Battery and solar power diversion controller (if fitted).
5. If present, press the BOOST button on the solar power diversion controller or time switch to start charging the appliance.
6. Continue to run the tap for a further 2 minutes, then close.
7. Check the front of the Heat Battery to ensure that the “power” and “heating element” LEDs are lit (see Figure 13 & Table 9).
8. Allow the Heat Battery to charge for approximately 30 minutes with the hot water tap closed.
9. Please note that on first charge or when the Heat Battery has been switched off and cooled down the heating element will cycle ON and OFF for up to one hour, depending on the Heat Battery size. This is normal operation. If heating element cycling persists for more than one hour, please refer to Table 10.
10. If fitted with a Solar Power Diverter, please apply a setting to ensure that the Heat Battery does not stop charging while it is cycling during start up. Please refer to the Solar Power Diverter Manual.
11. After 30 minutes open the hot water tap/s and check for hot water.
12. Adjust the Hot Water Tempering Valve, so that the output temperature is 45°C to 55°C.
13. Check hot water temperature at all hot water outlets in the dwelling with the customer and advise on temperature settings.



14. Ensure that the Heat Battery charges to half charge and that there are no lights flashing (which may otherwise indicate an error, Table 10).
15. If the Heat Battery is fitted with a Solar Power Diverter - Pre-planned Boost times should be set on the Solar Power Diverter, the information on how these are set can be found in the relevant section of the Solar Power Diverter manual. These depend on the end user usage type of the system.
16. Once the installation is finished, please carry out the following steps:
 - Explain to the customer / end user all safety precautions. Fill in and return the Commissioning certificate provided with the product. These documents **MUST** be completed and returned to Sunamp after the installation.
 - Leave all product information and literature with the customer / end user.
 - It's the responsibility of the end user to supply this manual to any other subsequent users.

Final Fit After Commissioning:

Commissioning instructions are provided in this Section 7 of the manual. Follow the instructions below after commissioning.

- Cut the 32mm thick insulation layer to suit the pipe and cable entries. This layer has several perforations for guidance. This can be done with a sharp knife or scissors. Please **DO NOT** cut inside the Heat Battery and in close proximity to the Vacuum Insulation panels located at the side of the Heat Battery.
- Re-place the newly cut 32mm thick insulation layer nesting the insulation around the pipe work and cables. Make sure the main and signal cables sit above this layer.
- Re-place the 10mm top layer of insulation.



- Re-place the lid, aligning the rear pins with the slots in the rear of the unit, slide back, fit the 2 x M5 button head cap screws using 3mm hex key.
- Fix any Energy labels provided in the document pack to product main body.

8. OPERATION

LED operation

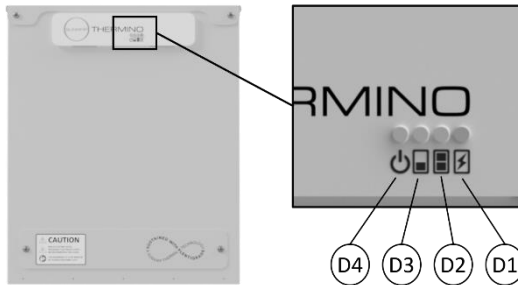


Figure 13 - Thermino ePlus Heat Battery LED operation





LED	Function	Status	Operation Description
	Mains Power LED (D4)	OFF	Power OFF
		ON	Power ON
	Charge Level Status 1 (D3)	OFF	Heat Battery ON - no charge demand
		Pulsing	Heat Battery charging from 0 - 50%
		ON	Heat Battery charge level >50%
	Charge Level Status 2 (D2)	OFF	Heat Battery charge level 0 - 50%
		ON - Pulsing	Heat Battery charging from 50 - 100%
		ON - Solid	Heat Battery charge level 100%
	Heating Element Operation (D1)	OFF	Heating element INACTIVE
		Solid	Heating element ACTIVE

Table 9 - Thermino ePlus Heat Battery LED operation



The following settings detail the operation of the additional wiring functions available in Section 6.4.3

DSR/Boost operation

This function forces the Heat Battery to charge or “top up” when there is a DSR demand to allow the Heat Battery to maximise the use of low-cost tariffs. Please note that the input to the Heat Battery controller **MUST** be Volt-Free for this function.

Solar Permanent operation

This function enables the Heat Battery to send a charging demand signal to the AC solar power diversion controller. Please note that the Output for this feature is ~230VAC, 3A Max. Refer to the installation instructions of your AC solar power diversion controller for the use of this signal. This option is **ONLY** available for the Heat Battery options with Solar Power Diversion controller. Please refer to document D0085 for more information on this function.

Time Switch Operation

This function allows to configure charging times for the Heat Battery. Please note that the input to the Heat Battery controller **MUST** be Volt-Free for this function. This option is **NOT** available in the Heat Battery options with Solar Power Diversion controller, where the Charge Link **MUST** always remain in place.



9. MAINTENANCE



CAUTION

Where undertaking maintenance, repairs or removals, and where necessary, ensure that the system is first disconnected from the electrical and/or water supply.

- In areas where the mains water hardness can exceed 150 ppm Total Hardness and a scale-reducing device has been fitted, the service and maintenance requirements of this device (especially re-fill requirements) need to be adhered to.
- The air pressure in the expansion vessel **MUST** be checked and topped up in line with the expansion vessel manufacturer's instructions for maintenance or annually, whichever is sooner.
- The peripherals and accessories that are part of the Heat Battery install **MUST** be maintained according to their manufacturer's instructions.
- Except for the system components identified above, the Heat Battery does **NOT** require any regular maintenance.
- If the supply cord is damaged, it must be replaced by the manufacturer, its service agent or similarly qualified persons in order to avoid a hazard. Please refer to the Electrical wiring sections.



10. TROUBLESHOOTING

Fault	Possible Cause(s)	Possible Solution
The Heat Battery does not deliver hot water after installation	Heat Battery not powered or not powered correctly	Check wiring and power supply to Heat Battery and rectify where necessary
	Solar Power Diverter not powered or not powered correctly (please note this ONLY applies if Heat Battery installed with a Solar Power Diverter)	Check wiring and power supply to Solar Power Diverter and rectify if necessary.
	Non-self-resetting thermal cut-out has tripped	<p>Make sure the Heat Battery is full of water and purge if necessary:</p> <ol style="list-style-type: none"> 1. Disconnect the power supply 2. Open the electrical cover at the base of the Heat Battery (Figure 1 -RHS image) 3. Reset the non-self-resetting thermal cut-out on Left Hand side of the panel. 4. Check if the temperature sensor is fully inserted in the Heat Battery (Section 7.3) 5. Reassemble the Heat Battery, and 6. Reconnect the supply. <p>If the problem persists, please contact Sunamp Ltd.</p>
LED D4 (power symbol) is rapidly flashing	Temperature sensor string is faulty	<p>Check that the sensor cable is properly connected to the PCBA and that the connector block or screw terminal is making good contact.</p> <p>If the problem persists, please contact Sunamp Ltd.</p>
The flowrate from the Heat Battery is lower than expected	Air might still be trapped in the system	<p>Check that the mains supply valve is fully opened.</p> <p>Make sure the Heat Battery is fully de-aired and purge if necessary.</p>
	Incoming water pressure is too low	Measure the incoming pressure from the mains supply and contact Sunamp Ltd.

Table 10 – Troubleshooting of Thermino ePlus Heat Battery

11. DECOMMISSIONING & DISPOSAL

11.1 DECOMMISSIONING

To successfully decommission the Heat Battery, please carry out the following steps:

- 1) Switch off all Electrical Power Supplies to the Heat Battery.
- 2) If Heat Battery is charged and no leaks are present, cool down the Heat Battery by flowing cold water through, until the temperature at the Outlet side is equal to the temperature at the Inlet.
- 3) Isolate the Cold Mains Supply to the Heat Battery.
- 4) Open the hot water taps to drain the system and release the pressure in the pipe work.
- 5) Remove all electrical cables and connections from the Heat Battery controller.
- 6) Remove all pipework from the Heat Battery connections, using appropriate tools and methods. Cap pipework if it cannot be removed from the Heat Battery connections.
- 7) Ensure that the Heat Battery is left to cool for at least 60 minutes after completion of step 2 before moving it.

11.2 DISPOSAL



This symbol on the Heat Battery and accompanying documents means the Heat Battery should not be mixed with general household waste at the end of its life.

For proper treatment, recovery and recycling, please take the Heat Battery to designated collection points for white goods where it should be accepted free of charge at the end of its life.



Disposing of this Heat Battery correctly will help save valuable resources and prevent any potential negative effects on human health and the environment, which could otherwise arise from inappropriate waste handling.

Please contact your local authority for further details of your nearest designated collection point. Penalties may be applicable for incorrect disposal of this waste, in accordance with your national legislation.



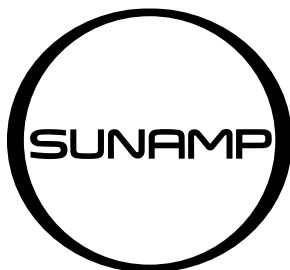
12. ACCESSORIES

Part Number	Description
C5388	Tempering Valve
C5407	Expansion Vessel 0.5L
C5381	Water conditioner
C5377	22mm Tectite Pro Elbow TX12 65524 (see note)

Note: 2 x C5377 are supplied with the Thermino 70, 150 & 210 ePlus products. The Thermino 300 ePlus is supplied with 4 x C5377.

Please visit <https://sunamp.com/en-gb/thermino-eplus-accessories/> for all the latest accessories.

Table 11 – Thermino ePlus Heat Battery Accessories



Manual Part Number: D0083

Version Number: 1.6

Publication Date: 03.06.24

Sunamp Ltd
1 Satellite Park
Macmerry
East Lothian
EH33 1RY
Scotland

Customer Service (Phone): +44 (0)1875 610 001

Customer Service (Email): customerservice@sunamp.com

www.sunamp.com