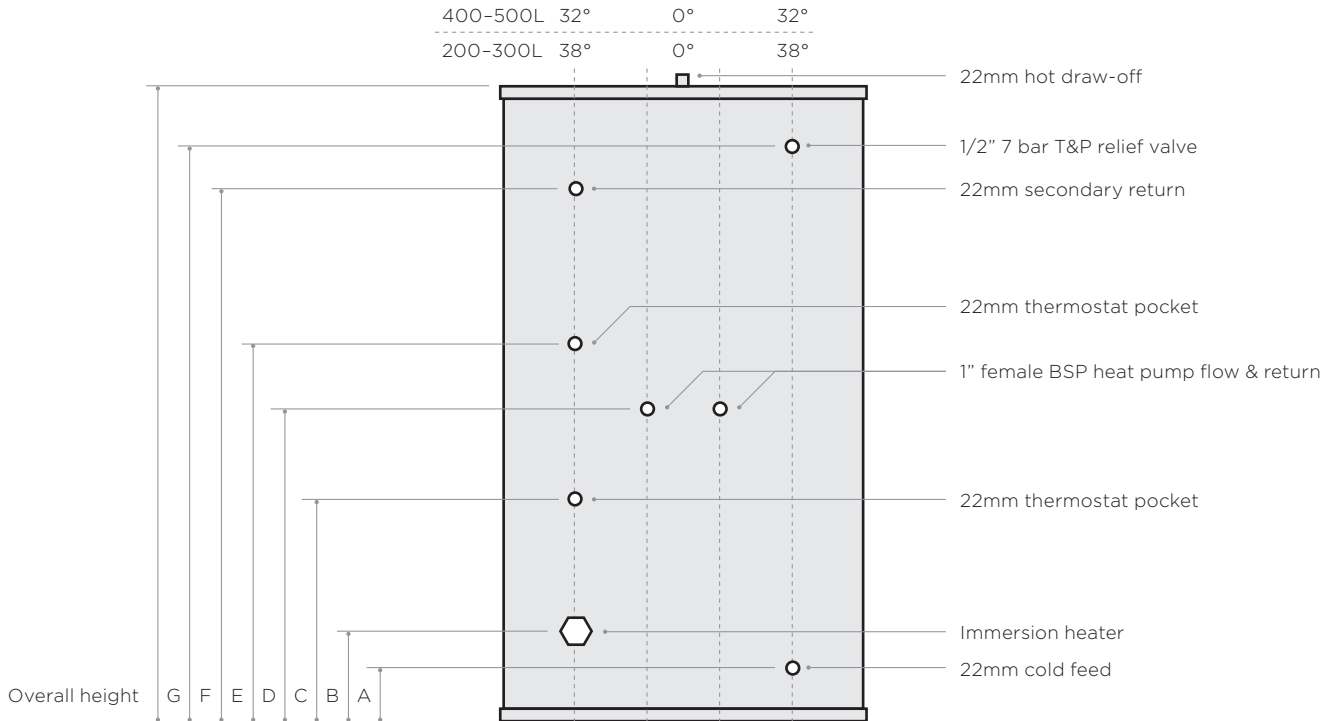


TEMPEST HEAT PUMP

TECHNICAL DATA



Capacity (L)	200	250	300	400	500
Height (mm)	1500	1800	1650	1590	1835
Diameter (mm)	554	554	580	710	710
A (mm)	171	171	195	240	240
B (mm)	201	201	225	270	270
C (mm)	576	576	598	645	696
D (mm)	901	901	923	740	831
E (mm)	971	971	993	810	901
F (mm)	1223	1485	1312	1240	1381
G (mm)	1323	1635	1461	1340	1581

Capacity (L)	200	250	300	400	500
ASHP Coil Surface Area (m ²)	3.3	3.3	3.3	3.3	3.3
ERP Rating*	C	C	C	C	C
Immersion Rating (kW)	3	3	3	3	3
Standing Heat Loss (kWh/24hrs)	2.04	2.16	2.32	2.58	2.81

*Based on thermostat set a 60°C