

COMPONENTS

Standing Seam Roof Hook



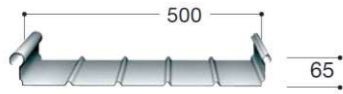
Butler-roof



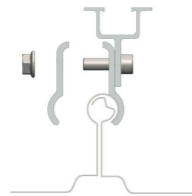
GS-IK-S01



GS-IK-S04



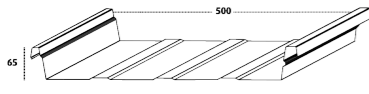
KalZip-roof



GS-IK-S02



GS-IK-S02-A



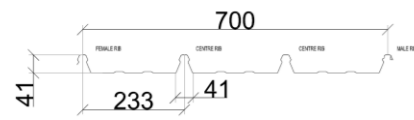
Zambelli Rib Roof Speed 500



GS-IK-S03



GS-IK-S03-A



Klip-lok 700



GS-IK-SK7



GS-IK-SK7-A

Item No.	Description	Roof Type
GS-IK-S01	Standing Seam Roof Hook 1#	Butler Roof
GS-IK-S04	Standing Seam Roof Hook 4#	Butler Roof
GS-IK-S02	Standing Seam Roof Hook 2#	KalZip- Bemo-roofs
GS-IK-S02-A	Standing Seam Roof Hook 2# A Type	KalZip- Bemo-roofs
GS-IK-S03	Standing Seam Roof Hook 3#	Zambelli RibRoof Speed 500
GS-IK-S03-A	Standing Seam Roof Hook 3# A Type	Zambelli RibRoof Speed 500
GS-IK-SK7	Standing Seam Roof Hook K7	Klip-Lok 700
GS-IK-SK7-A	Standing Seam Roof Hook K7 A Type	Klip-Lok 700

COMPONENTS

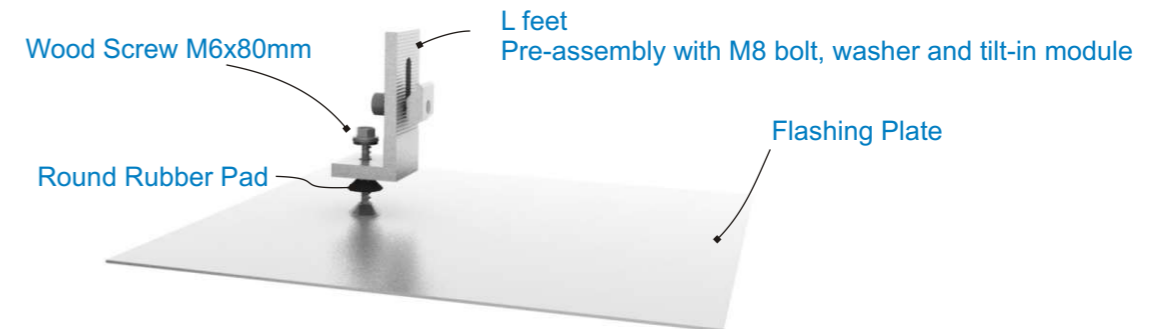
Flashing Hook



Features

- All-in-one waterproof flashing and mount to anchor photovoltaic racking systems
- Fit with in most composition and wood shingle roof systems
- Non-fading sealing collar
- Not for hot-mopped or built-up roofs
- Do not use paint or petroleum based products on rubber collars

Item No.	Description	Flashing Size
GS-FK-01	Shingle Roof Flashing Hook 1#	305x305x1mm
GS-FK-02	Shingle Roof Flashing Hook 2#	305x205x1mm



GS-HR-150	High-Rise Bar, Height is150mm -Height can be customized
GS-HF-01	High-Rise Flashing1#, 305x205x1mm
GS-IK-L11	OD11 L Feet Kit

