

Rolls

FLOODED DEEP CYCLE BATTERIES

S-290



CONTAINER:	Polypropylene
COVER:	Polypropylene
TERMINALS:	Universal molded post
HANDLES:	No handles

WEIGHT DRY:	27 kg	59 Lbs.
WEIGHT WET:	31 kg	68 Lbs.
LENGTH:	259 mm	10 3/16 Inches
WIDTH:	181 mm	7 1/8 Inches
HEIGHT:	279 mm	11 Inches

6 VOLTS

PLATE HEIGHT:	159 mm	6.250 Inches
PLATE WIDTH:	159 mm	6.250 Inches
THICKNESS (POSITIVE):	2.79 mm	0.110 Inches
THICKNESS (NEGATIVE):	2.24 mm	0.088 Inches



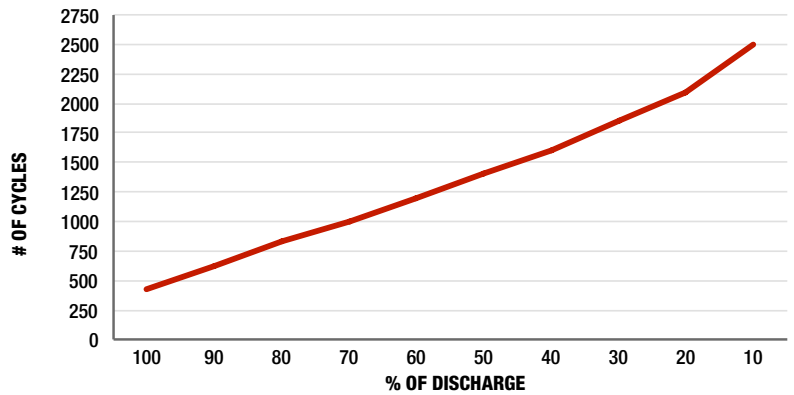
CELLS:	19 Plates/Cell	3 Cell
SEPARATOR THICKNESS:	2 mm	0.061 Inches
GLASS MAT INSULATION:	1 mm	0.02 Inches
ELECTROLYTE RESERVE: ABOVE PLATES	63 mm	2.25 Inches

COLD CRANK AMPS (CCA):	0°F / -17.8°C	710
MARINE CRANK AMPS (MCA):	32°F / 0°C	888
RESERVE CAPACITY (RC @ 25A):		315 Minutes

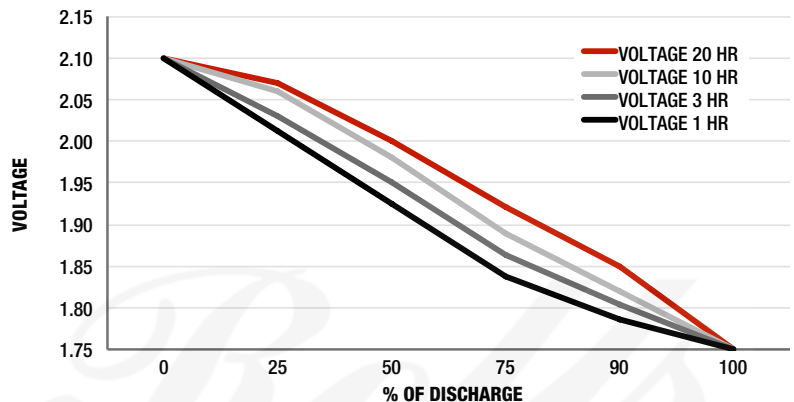
CAPACITY 220 AH

HOURLY RATE:	SPECIFIC GRAVITY	CAPACITY / AMP HOUR	CURRENT / AMPS
@ 100 HOUR RATE	1.280	293	2.93
@ 72 HOUR RATE	1.280	277	3.85
@ 50 HOUR RATE	1.280	262	5.24
@ 24 HOUR RATE	1.280	227	9.44
@ 20 HOUR RATE	1.280	220	11.00
@ 15 HOUR RATE	1.280	207	13.79
@ 12 HOUR RATE	1.280	196	16.32
@ 10 HOUR RATE	1.280	187	18.70
@ 8 HOUR RATE	1.280	176	22.00
@ 6 HOUR RATE	1.280	163	27.13
@ 5 HOUR RATE	1.280	154	30.80
@ 4 HOUR RATE	1.280	143	35.75
@ 3 HOUR RATE	1.280	130	43.27
@ 2 HOUR RATE	1.280	112	56.10
@ 1 HOUR RATE	1.280	79	79.20

CYCLE LIFE VS. DEPTH OF DISCHARGE



VOLTAGE VS. DEPTH OF DISCHARGE

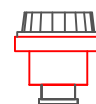




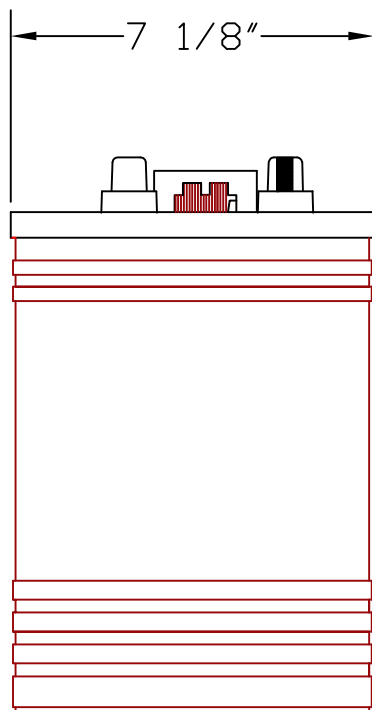
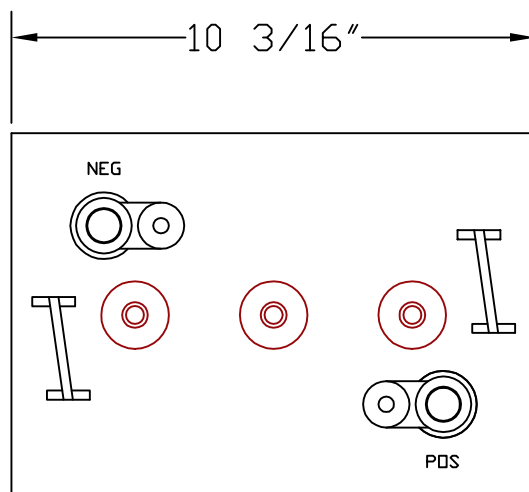
SAI GLOBAL
ISO 9001
Quality

PART NUMBER: S-290
WEIGHT WET: 68 LB / 31 KG
WEIGHT DRY: 59 LB / 27 KG
CAPACITY 220 AH 20HR RATE

VOLTAGE: 6 V
OVERALL DIMENSIONS: 10 $\frac{3}{16}$ " X 7 $\frac{1}{8}$ " X 11"



MAX HEIGHT WITH
OPTIONAL HYDROCAPS 11 $\frac{5}{8}$ "



Rolls
BATTERY ENGINEERING

TITLE:
S-290

DESCRIPTION:
6V DEEP CYCLE SERIES 4000

CONTACT INFO:
WEB: WWW.ROLLSBATTERY.COM
E-MAIL: SALES@ROLLSBATTERY.COM
PHONE: 1-800-681-9914

SCALE: 1" = 4" JPEG:
8.5" X 11" NOT TO SCALE

Drawn by: P. FERRON Approved By: JD SURRETTE

DATE: MAY-2013 REVISION 0

DRAWING NO.: S290.dwg