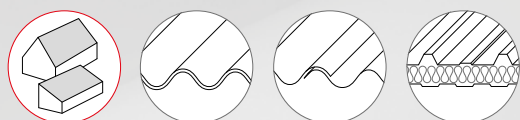
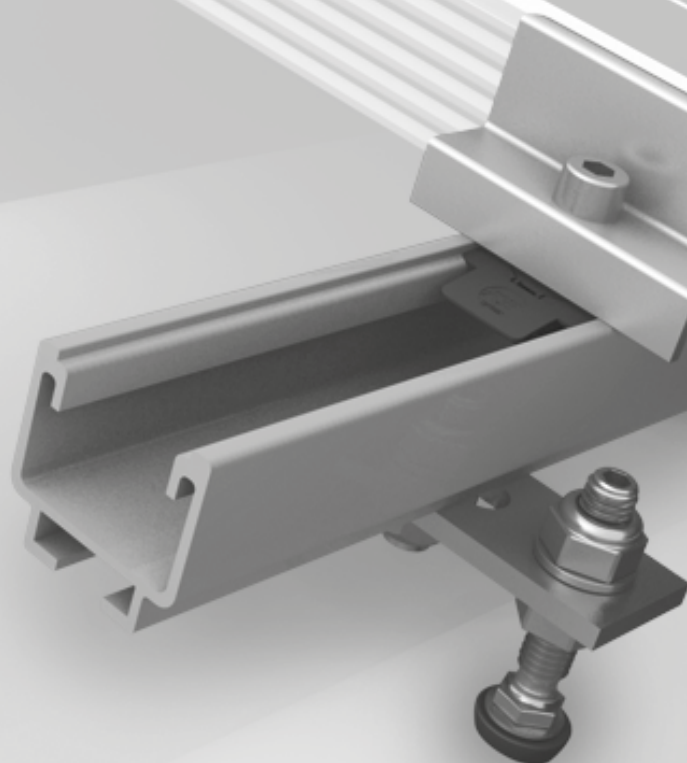


We support PV systems



# SolidRail System Solarfasteners

ASSEMBLY INSTRUCTIONS



# Content

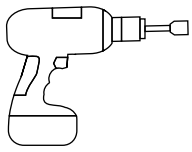
/ Tools overview	3
/ General safety information	4
/ The following guidelines apply	5
/ Components	6
/ Assembly	9
/ Notes	17

## Quality tested – several certifications

K2 Systems stands for secure connections, highest quality and precision. Our customers and business partners have known that for a long time. Independent institutes have tested, confirmed and certified our capabilities and components.

Please find our quality and product certificates under:  
[www.k2-systems.com/en/technical-information](http://www.k2-systems.com/en/technical-information)

# Tools overview



5 mm



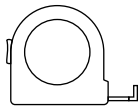
6 mm



6 - 30 Nm  
[4,5 - 22,2 lb-ft]



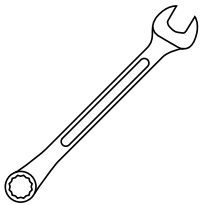
6 mm



≥ 3,0 m

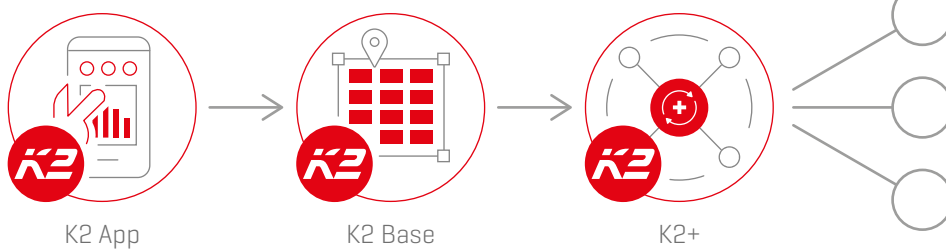


≥ 6,0 m



15 mm

## K2 App and Base – Digital tool box



**Do you already know our digital services?** Use our K2 Roof Check App now and record the first important data directly at the customer or project site. Simply transfer the data to our online planning software K2 Base. Here you can plan your project easily, safely and quickly. You receive a detailed project report with assembly plan and static report. The K2+ interface enables seamless project data transfer to the planning tools of well-known inverter manufacturers or yield planning tools.

**Get started and register now:**

[app.k2-systems.com](http://app.k2-systems.com) →

[base.k2-systems.com](http://base.k2-systems.com) →

# General safety information

Please note that our general mounting instructions must be followed at all times and can be viewed online at [www.k2-systems.com/en/technical-information](http://www.k2-systems.com/en/technical-information).

- The equipment may only be installed and operated by qualified and adequately trained installers.
- Prior to installation, ensure that the product complies with on-site static loading requirements. For roof-mounted systems, the roof load-bearing capacity must always be checked.
- National and local building regulations and environmental requirements must be adhered to.
- Compliance with health and safety regulations, accident prevention guidelines and applicable standards is required.
  - Protective equipment such as safety helmet, boots and gloves must be worn.
  - Roofing works must be in accordance with roofing regulations utilising fall protection safeguards when eaves height exceeds 3 m.
  - At least two people must be present for the duration of the installation work in order to provide rapid assistance in the event of an emergency.
- K2 mounting systems are continuously developed and improved and the installation process may thereby change at any time. Prior to installation consult our website at [www.k2-systems.com/en/technical-information](http://www.k2-systems.com/en/technical-information) for up-to-date instructions. We can send you the latest version on request.
- The assembly instructions of the module manufacturer must be adhered to.
- Equipotential bonding/grounding/earthing between individual parts is to be performed according to country specific standards, as well as national laws and regulations.
- At least one copy of the assembly instructions should be available on site throughout the duration of the installation.
- Failure to adhere to our general safety and assembly instructions and not using all system components, K2 is not liable for any resulting defects or damages. We do not accept liability for any damage resulting in the use of competitor's parts. Warranty is excluded in such cases.
- German law shall apply excluding the UN Convention on CISG. Place of venue is Stuttgart. Our General Terms of Business apply.
- If all safety instructions are adhered to and the system is correctly installed, there is a product warranty entitlement of 12 years! We strongly recommend reviewing our terms of guarantee, which can be viewed at [www.k2-systems.com/en/technical-information](http://www.k2-systems.com/en/technical-information) We will also send this information on request.
- Dismantling of the system is performed in reverse order to the assembly.
- K2 stainless steel components are available in different corrosion resistance classes. Each structure or component must be carefully checked for possible corrosion exposure.

# The following guidelines apply

The Solarfastener SolidRail system can be used without further testing by K2 systems in the following standard conditions. To calculate maximum distances between supports we recommend using our calculation tool K2Base. The system is also suitable for higher requirements. However, if a value exceeds the standard conditions, please contact K2 Systems.



## Planning with K2 Base

We recommend our free online software K2 Base for the planning. In five steps, you can plan the right assembly system and get a construction recommendation, parts list and the structural analysis report. Simply register and start planning: [base.k2-systems.com](https://base.k2-systems.com)



## Roof requirements

- Roof pitch of 5 - 75°



## Structural requirements

- The static verification of components is automatically calculated for each location using our Base On planning software
- The sufficient holding force of the roof covering at the support or substructure must be ensured on site.



## Important mounting instructions

- We recommend a thermal separation after maximum of 17.6 m.
- Do not use Middle and End Clamp set at rail joints. Distance to rail joint min. 20 mm.
- Minimum spacing of 50 mm from module edge to rail end.
- Tightening torque for all module clamps 14 Nm
- For manufacturer information regarding clamps see the manufacturing module data sheet.
- A module row spacing according to planning specification K2 System must be observed.
- The earthing must be provided by the customer and must be carried out according to the respective country-specific regulations.
- The solar fasteners are suitable for fastening on steel/aluminium and fibre-cement profiles.
- On-site general standards and regulations for lightning protection must be observed and consultation with a specialist to create a lightning protection concept is recommended [use lightning protection clamp if necessary]
- Please note the specified screw-in depth of the solar fasteners for wood substructure. You can find this in our Base Report under the heading Results. Only if the specified screw-in depth of the solar fasteners is adhered to can the corresponding values of the load-bearing capacity be fulfilled.

# Components

## Essential: The materials required



**Solar fasteners with sealing shim for steel**  
**No adapter plate; Material: stainless steel, FZD**

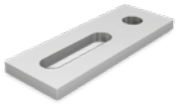
Article number  
system-specific

Alternative: Solar fasteners for wood on request

**Solar fasteners with calotte for steel**  
**No adapter plate; Material: stainless steel, aluminium, EPDM**

Article number  
system-specific

Alternative: Solar fasteners for wood on request



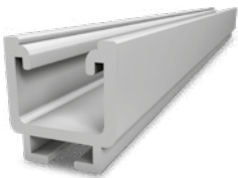
**Aluminium adapter plate**  
Material: aluminium

Article number  
system-specific



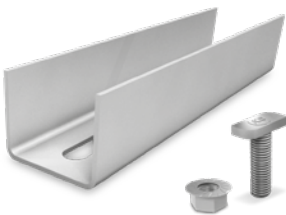
**K2 Bridge**  
Material: aluminium

Article number  
system-specific



**MountingRail K2 SolidRail**  
UltraLight, Light, Medium or Alpin  
Material: aluminium

Article number  
system-specific



**K2 SolidRail Connector Set**  
The set consists of:  
/ 1 SolidRail Connector, aluminium EN AW-6063 T66  
/ 2 T-Bolts M10x30 [1000041], stainless steel A2  
/ 2 Locking nuts M10 [1000042], stainless steel A2

Article number  
system-specific



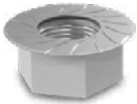
**K2 EndCap SolidRail**  
Material: glass fibre reinforced polyamid

Article number  
system-specific



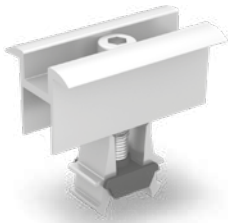
**T-Bolt M10x25**  
Material: Stainless steel; Head 28/15

1000571



**K2 Hexagon flange nut with serration M10**  
Material: Stainless steel, drive: 15 mm

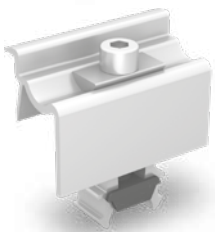
1000042



**K2 Universal-Module middle clamp OneMid**  
Module frame height: 32-42 mm

2002515

Alternative: K2 Module middle clamp XS Set

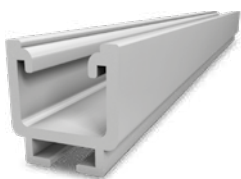


**K2 Universal-Module end clamp OneEnd**  
Module frame height: 32-42 mm

2002514

Alternative: K2 Module end clamp Set

## Additional material for cross bracing (SolidRail)



**MountingRail K2 SolidRail**  
UltraLight, Light, Medium or Alpin  
Material: aluminium

Article number  
system-specific



**K2 Set Angle bracket**

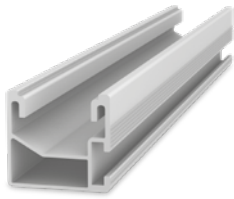
2001732

The set consists of:

- / 1 angle bracket, stainless steel
- / 1 T-bolt M10, stainless steel
- / 1 locking nut M10, stainless steel
- / 1 Bolt with serrated under head M8, stainless steel
- / 1 M K2 slot nut M8, stainless steel

# Components

## Additional material for cross bracing (SingleRail)

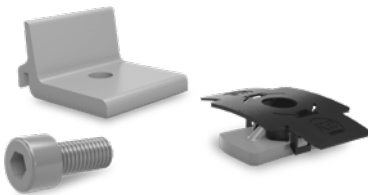


### Mountingrail K2 SingleRail

Material: aluminium EN AW-6063 T66

Article number  
system-specific

Alternative: Mountingrail K2 CrossRail  
Material: aluminium EN AW-6063 T66



### K2 Climber 36/50 Set

2003145

The set consisting of:

- / 1 Climber 36/50 Solo [2003213], aluminium EN AW-6063 T66
- / 1 bolt with serrated under head M8x20, stainless steel A2
- / 1 MK2 insert nut M8 [1001643], stainless steel and PA



### K2 SingleRail Connector Set

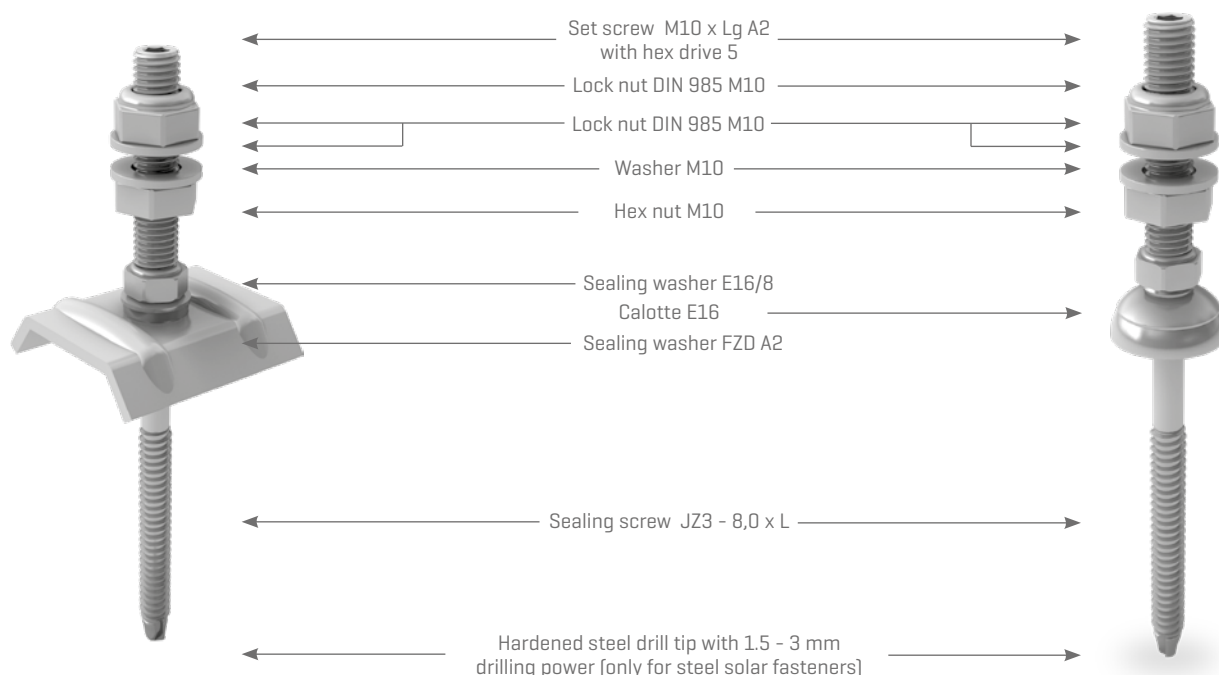
Article number  
system-specific

The set consisting of:

- / 1 SingleRail connector, aluminium EN AW-6063 T66
- / 4 T-Bolts M8x20 [1002387], stainless steel A2
- / 4 Locking nuts M8 [1000043], stainless steel A2

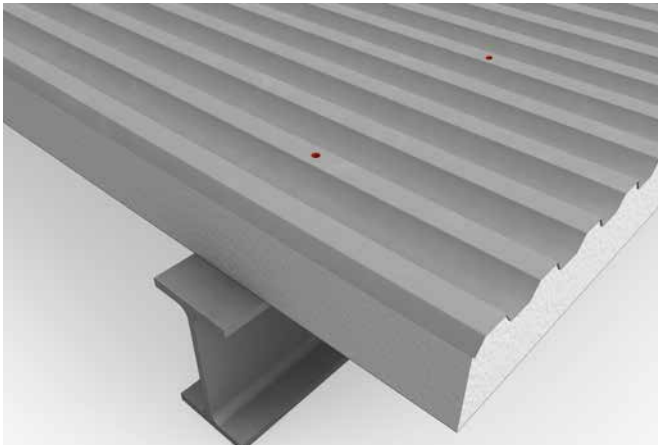
# Description Solar fasteners

The Solar fasteners are available for different types of sub-structure materials [steel or wood]. The Solar fasteners have different threads in the sealing screw. The tightness of the roof covering is created through the use of calottes when fastening on steel / aluminium profiles and FZD seals on fiber cement profiles.





## 1a Pre-drilled hole steel/aluminium profile on steel substructure



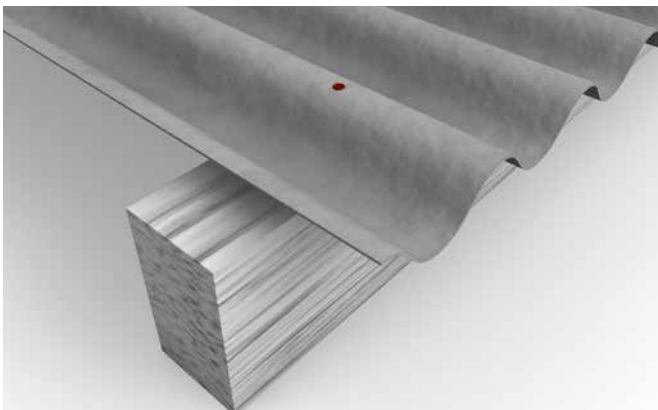
Measure the screw distances according to statics or K2 Base. Check position of purlins and pre-drill through the profile sheets into the purlins.

**Attention: With a thickness of the steel substructure of up to 3 mm no pre-drilling is necessary! The solar fastener can be drilled, tapped and screwed in one operation using the hardened steel drill tip.**

Metal profiles:

The pre-drilled hole diameter in the metal profiled sheet = the pre-drilled hole diameter in the substructure

## 1b Pre-drilled hole fibre cement profile on wood substrate



Measure the screw distances according to statics or K2 Base. Check position of purlins and pre-drill through the fibre cement profiles into the purlins.

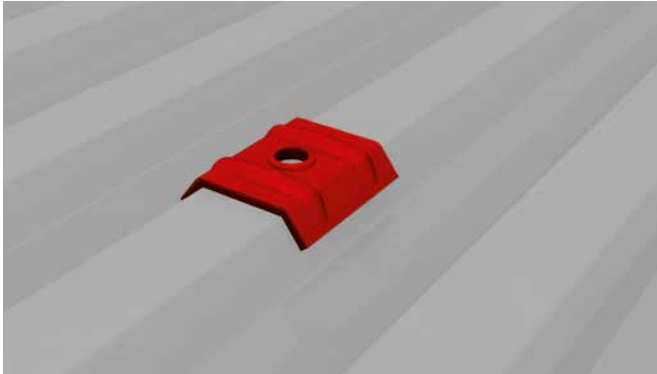
Fibre cement profiles: The pre-drilled hole diameter in the fibre cement profiles must always be greater than the diameter of the solar fasteners.

## Table for drilling diameters

Material substructure	Steel					Wood	
Material thickness in mm	1,5 < 3,0	3,0 < 5,0	5,0 < 7,5	7,5 < 10	≥ 10		
	Pre-drilled hole diameter in mm for metal profile sheets + substructure						
Solar fasteners for steel Ø 8 mm	without pre-drilling	6,8 mm	7 mm	7,2 mm	7,4 mm		
Solar fasteners for wood Ø 8 mm						5,5 mm	5,5 mm
	Pre-drilled hole in mm for fibre cement profiles						
Solar fasteners for wood Ø 8 mm	In profile sheet					11 mm	11 mm
	In wood substrate					5,5 mm	5,5 mm

# Assembly

## 2a Clean surface, lay calottes

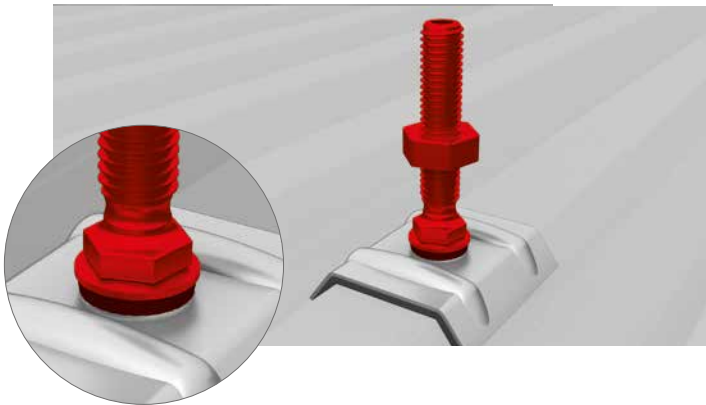


Before mounting the solar fasteners, remove any burr from the surface of the profile sheets.

In the case of solar fasteners for metal profile sheets, lay calotte over the drilled holes. [For solar fasteners for fibre cement profiles the seal is pre-assembled on the solar fastener]

Materials required for metal profile sheet: calotte

## 3a Screw solar fastener [Metal profiles]

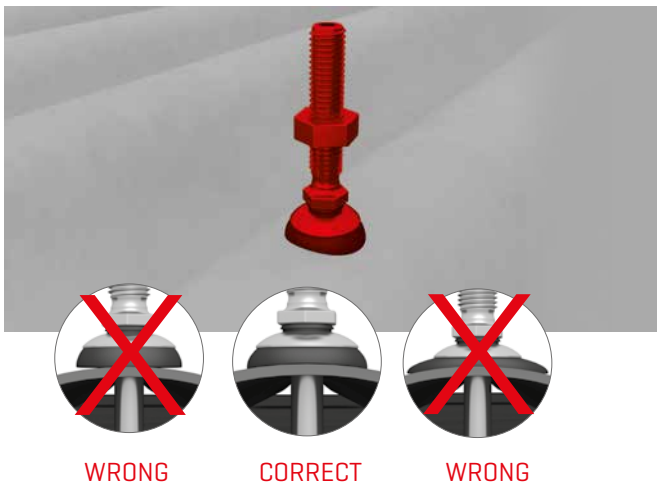


Insert the solar fastener into the pre-drilled hole through the calotte and screw in.

Additional information: Do not tighten the solar fastener with the torque, the seal must be slightly compressed and rest on the entire surface.

Materials required: Solar fastener

## 3b Screw Solar fastener [Fibre cement profile]



**Additional information:** Do not tighten the solar fastener with the torque, the seal must be slightly compressed and rest on the entire surface.

Materials required: Solar fastener

From this step the assembly is identical for the different roofing types

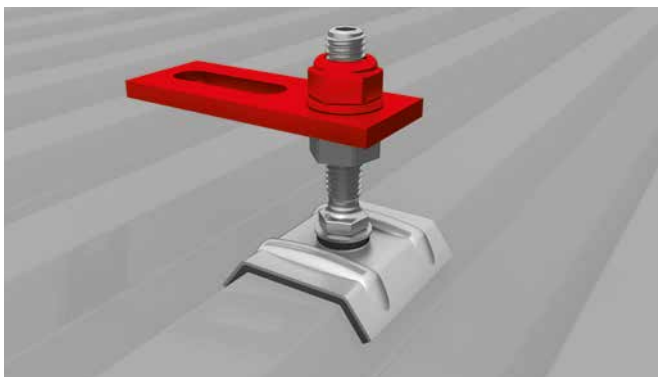
#### 4 Adjust hex nut



Adjust nut in height according to direction of the module carrier rails.

Materials required: Hex nut, washer

#### 5 Mount adapter plate



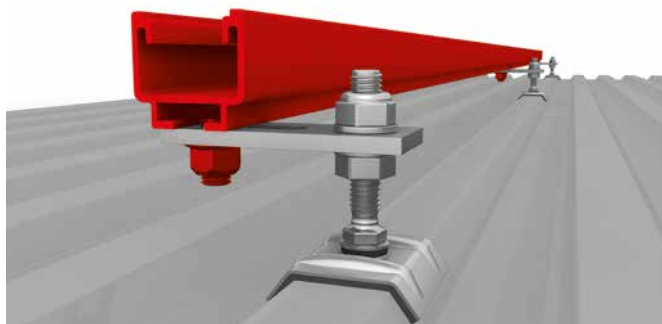
Place adapter plate, adjust and mount additional washer with locking nut.

The height of the adapter plate is determined by the two nuts. Secure solar fastener against turning with hex wrench. After correct setting of both nuts, lock and tighten.

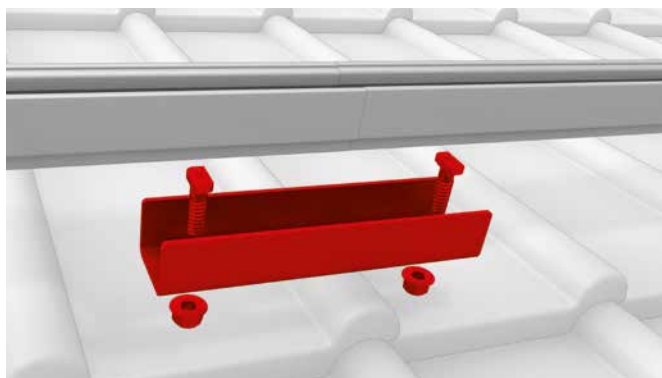
Materials required: Adapter plate, washer, and self-locking nut

# Assembly

## 6 Mounting rails and rail connectors



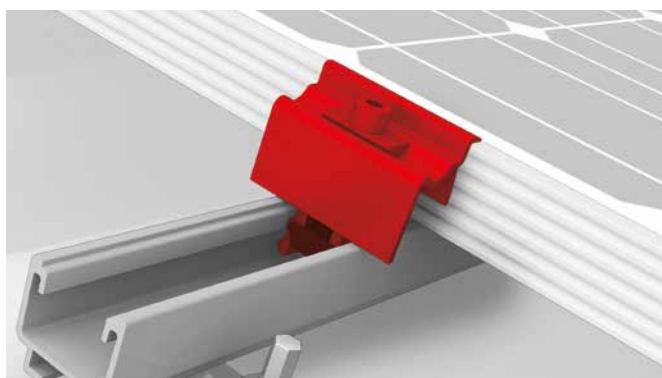
Ensure correct position of T-bolt. After inserting into the lower chamber of the rail, the T-bolt is turned 90 degrees counterclockwise. Lock the projected K2 module carrier rail Solid on the adapter plate with an M10 T-bolt and tighten. Tightening torque: 32 Nm



Lay Mounting Rail on joint with rail connector and connect with T bolts and self-locking nuts. The rail joint may not be in the range of the roof fastener. Tightening torque 35 Nm.

Materials required: K2 mounting rail Solid, T-Bolt M10x30, M10 self-locking nut, rail connector set

## 7 Mounting End Clamps



Fix the module in place at the end of a row with universal module end clamp OneEnd. Klick the Stance in the notches. Alternatively use the standard end clamp. Insert the MK2 nut into the mounting rail and turn clockwise by 90 °. Place clamps on the module frames and fix them. Never mount module end clamps directly on the rail joint or end of the rail! [Spacing: min. 50 mm from edge of module frame]. Pay attention to the mounting instructions by module manufacturer!

Tightening torque 14 Nm.

Materials required: OneEnd

## 8 Attach module gaps



Use two universal module middle clamp OneMid between two modules. Click the Stance in the notches. Place clamps on the module frames and fix them. Tightening torque 14Nm.

Materials required: OneMid



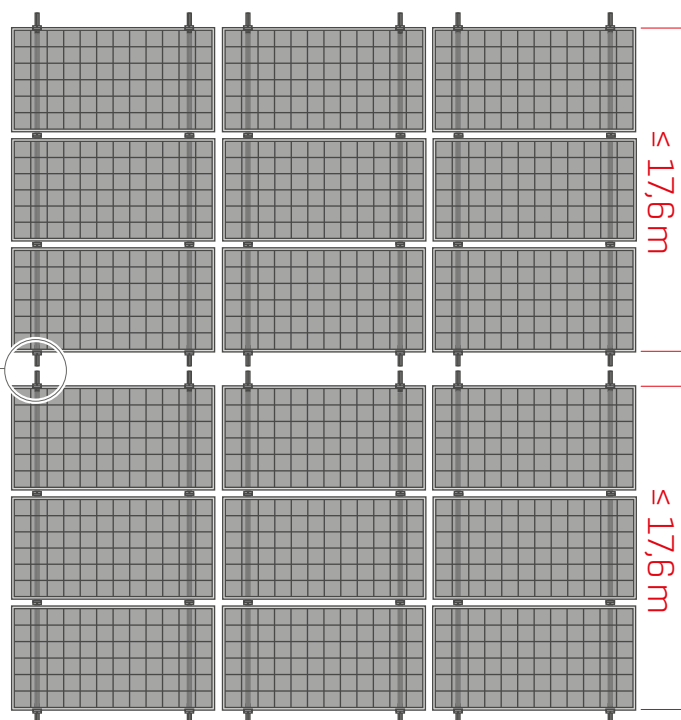
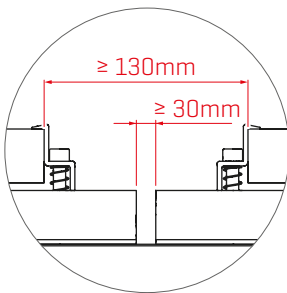
Attaching with XS Middle Clamp

Use two XS Middle Clamps between two modules, which must also be screwed with the DIN 912 M8 screws in the slot nuts.

Tightening torque 14 Nm.

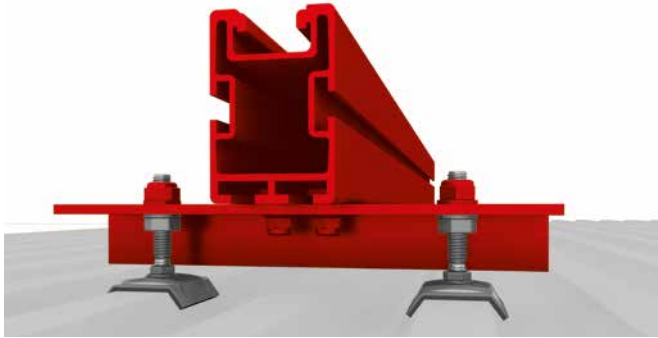
Materials required: Module middle clamp XS Set

## 9 Thermal separation



# Alternative system assembly with K2 Bridge

## 1 Mount K2 Bridge

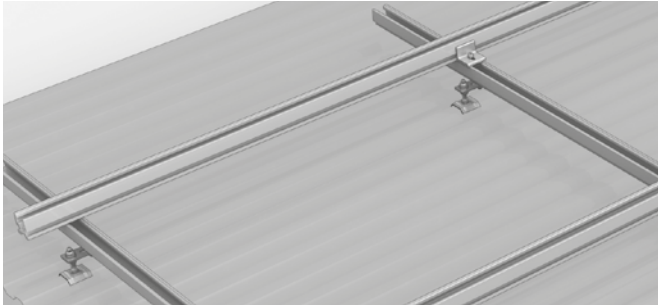


The K2 Bridge is mounted on two solar fasteners instead of the adapter plate in order to achieve greater span widths. Depending on type, the rail is fixed to the Bridge with one or two M10x30 T-bolts.

Materials required: 2 mounted solar fasteners, K2 Bridge, M10 x 30 T-bolt

# Alternative system assembly [Cross bracing] with K2 SingleRail

## 1 Mount rails by cross bracing

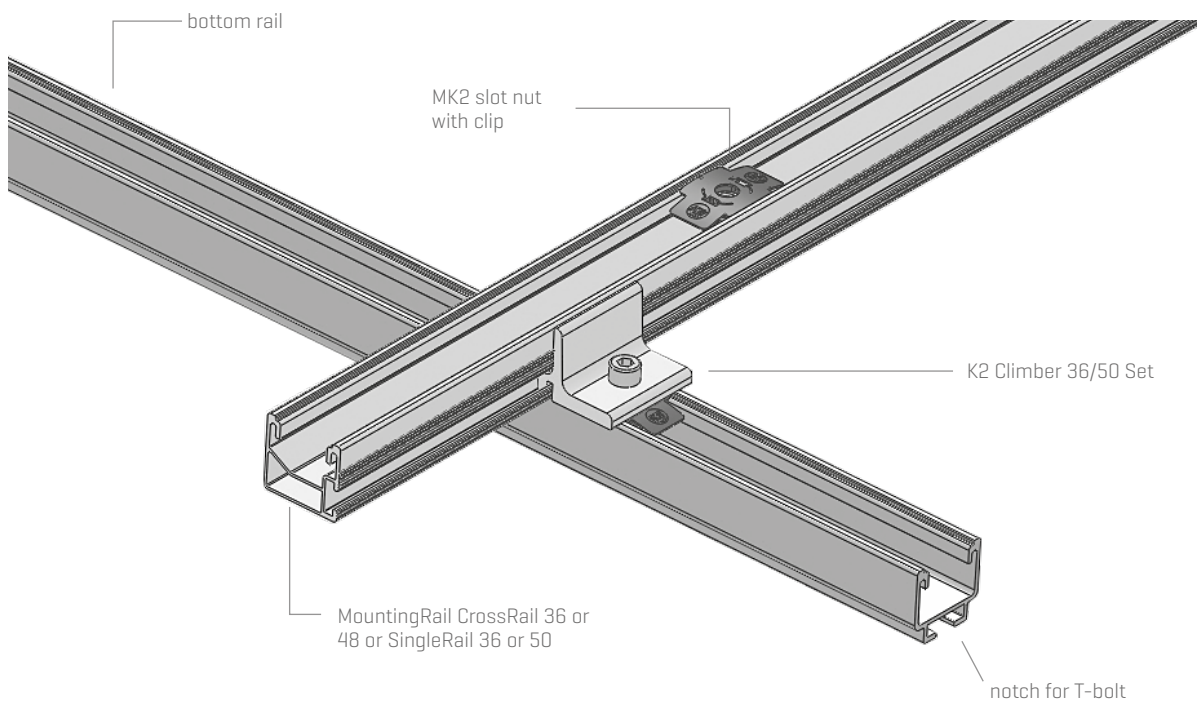


The top rail position in cross bracing is mounted with the M K2 and Climber in the desired location at the appropriate distance.

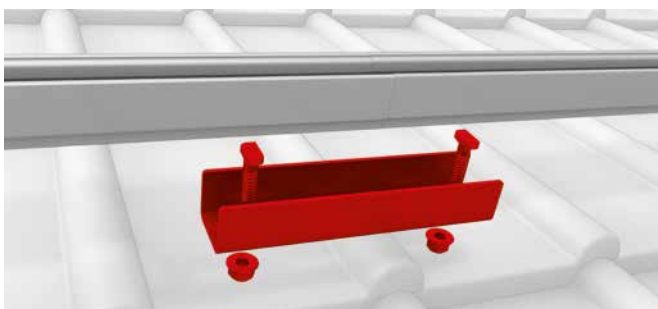
Tightening torque 16 Nm.

Materials required: SingleRail, Climber Set

Mount rail and climber as shown below:



## 2 Mount rail connector

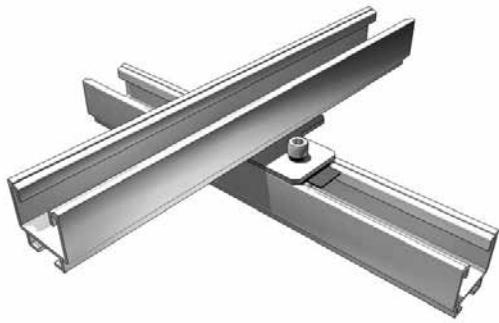


Lay Mounting Rail on joint with rail connector and connect with T bolts and self-locking nuts. The rail joint may not be in the range of the roof fastener.

Tightening torque 16 Nm.

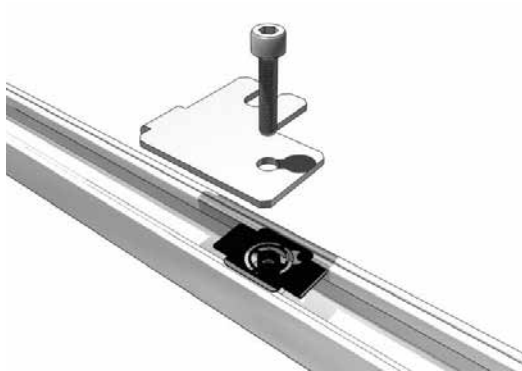
# Alternative system assembly (Cross bracing) with K2 SolidRail

## 1 Mount rails by cross bracing

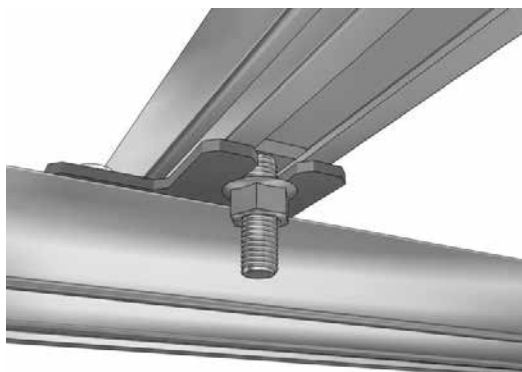
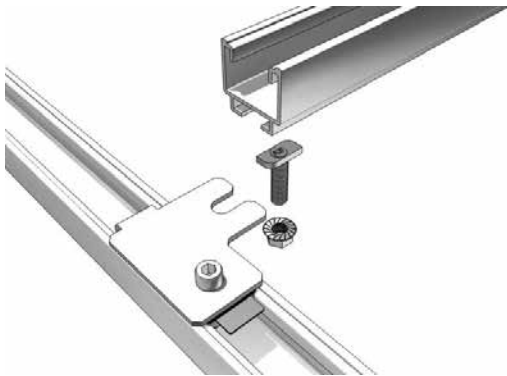


Mount SolidRail as a top rail with the cross-connector set as shown below.

Mount the MK2 into the lower SolidRail, place the cross connector on the SolidRail as shown in the illustration and fasten it with the allen bolt.  
Tightening torque: 16 Nm.



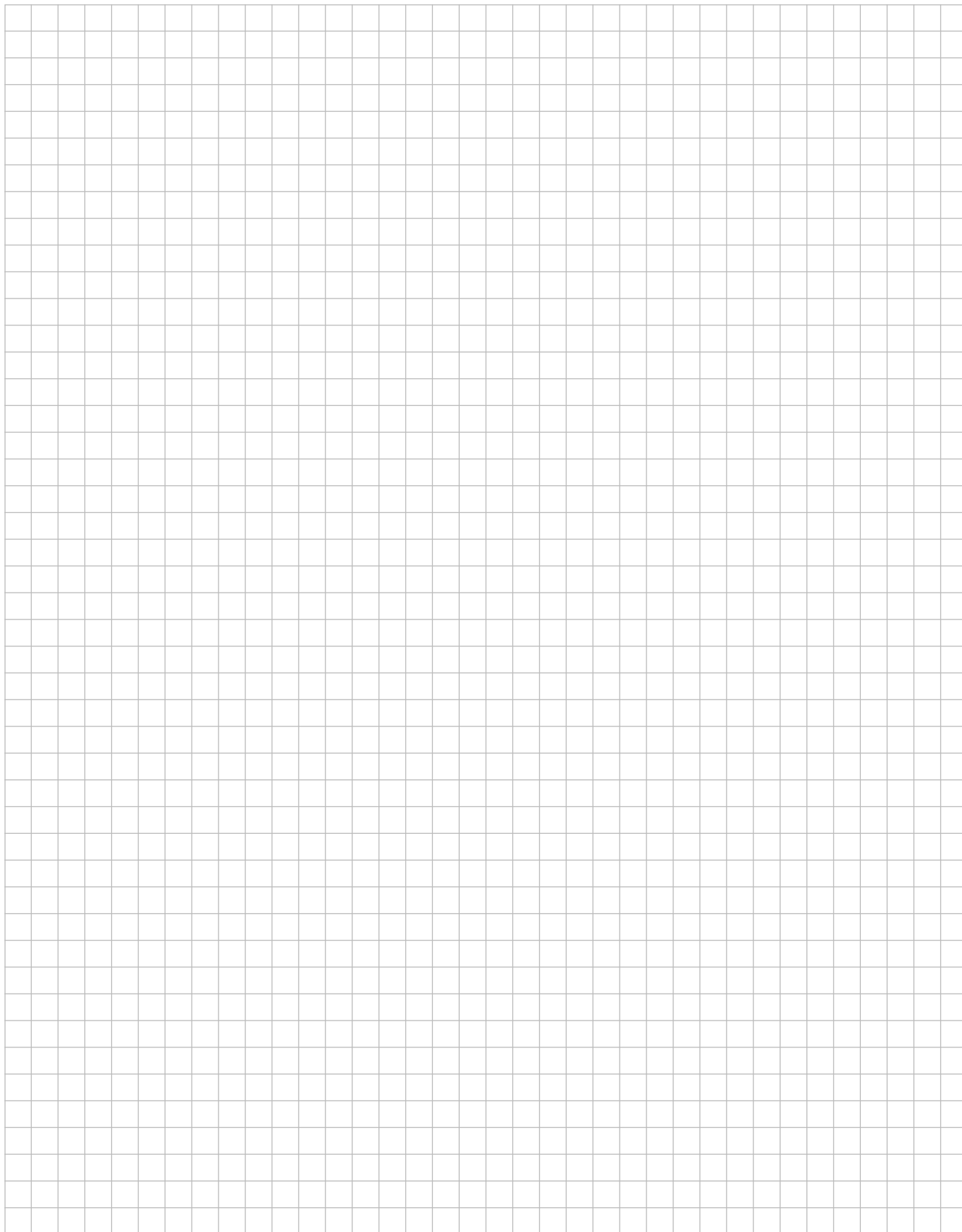
Fasten the upper SolidRail to the cross connector with the t-bolt and the locking nut.  
Tightening torque: 35 Nm.

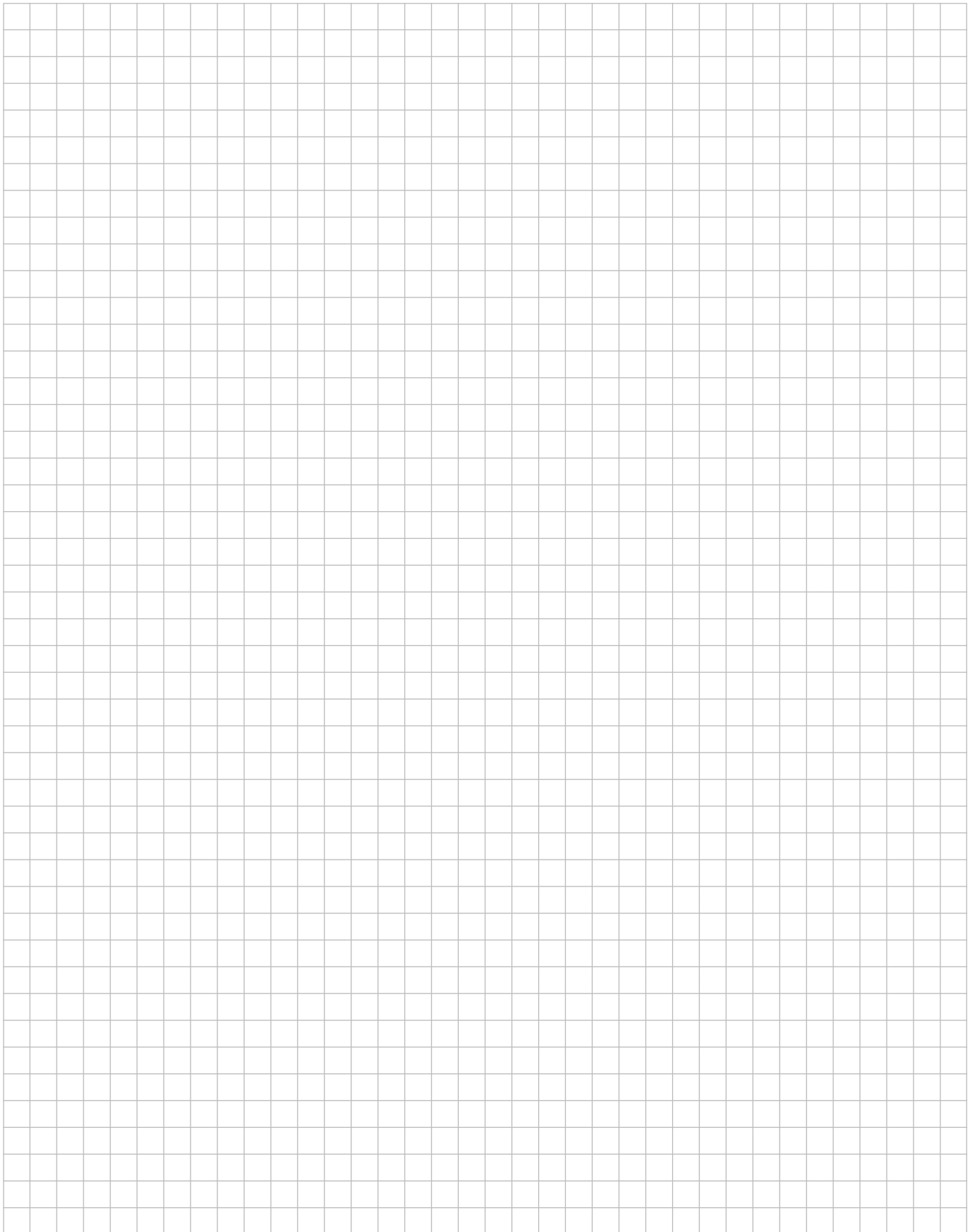






# Notes





# We support PV systems



## Thank you for choosing a K2 mounting system.

Systems from K2 Systems are quick and easy to install. We hope these instructions have helped. Please contact us with any questions or suggestions for improvement. Our contact data:

- ▶ [www.k2-systems.com/en/contact](http://www.k2-systems.com/en/contact)
- ▶ **Service-Hotline: +49 (0)7159 42059-0**

Our General Terms of Business apply. Please refer:  
[www.k2-systems.com](http://www.k2-systems.com)

K2 Systems GmbH  
Industriestraße 18  
71272 Renningen  
Germany  
+49 (0) 7159 - 42059 - 0  
[info@k2-systems.com](mailto:info@k2-systems.com)  
[www.k2-systems.com](http://www.k2-systems.com)