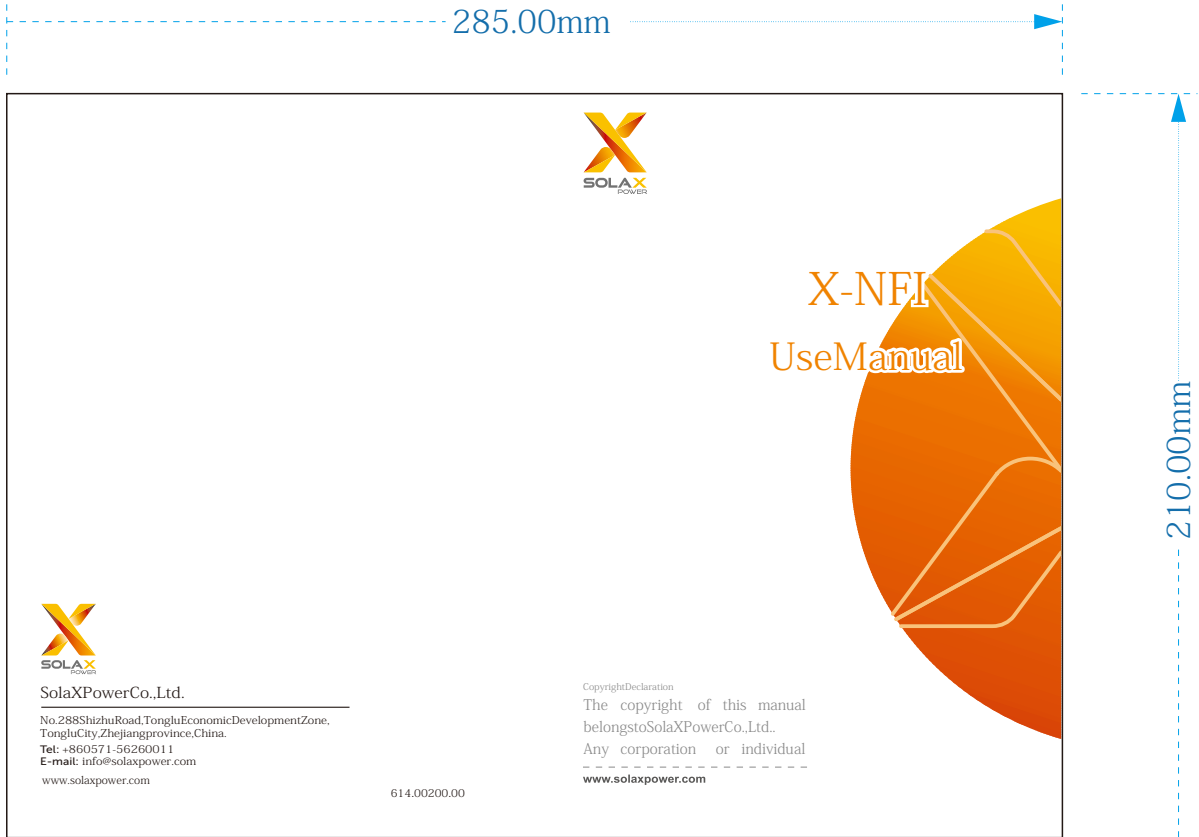


REV.	Description	REV.	Description
0.0	首次发行 罗西 2017/3/30		
0.0	A电流采样端子和通讯端子变化 罗西 2017/5/23		
描述	X-NFI防逆流 说明书		浙江艾罗电源有限公司 SolaX Power Co.,Ltd. Q-OP-SC-01-02V1.0
料号	614.00 200.00		
单位	mm 页次		

- 技术要求：
- 封面封底157g铜版纸覆哑膜彩打，内部纸80g双胶纸黑白印刷，正反打印
 - 装订方式: **胶装(少于35个页码用骑马钉)**
 - 未注尺寸公差按 $\pm 1.5\text{mm}$
 - 图面、字体印刷清晰、无毛边、不起边、油墨不脱落
 - 字体颜色为PANTONE Black C，无边框，底色为白色
 - 符合RoHS要求



描述	X-NFI防逆流 说明书		设计	罗西
			审核	吴龙生
材料	NA		核准	朱娴红
料号	614.00 200.00		浙江艾罗电源有限公司	
单位	mm 页次			



Energy Controller User Manual



SolaX Power Network Technology(Zhe jiang)Co., Ltd.

No.288 Shizhu Road, Tonglu Economic Development Zone,
Tonglu City, Zhejiang province, China.

Tel: +86 0571-5626 0011

E-mail: info@solaxpower.com

www.solaxpower.com

Copyright Declaration

The copyright of this manual belongs to SolaX Power Network Technology(Zhe jiang) Co., Ltd. Any corporation or individual should not plagiarize, partially copy or fully copy it (including software, etc.), and no reproduction or distribution of it in any form or by any means. All rights reserved.SolaX Power Network Technology(Zhe jiang) Co., Ltd. reserves the right of final interpretation. This information is subject to changes without notice.

www.solaxpower.com

614.00200.00

Contents

1 Note on and Safety	1
2 Introduction	1
2.1 Basic Features	1
2.2 Terminals of Energy Controller	2
2.3 Dimension	3
3 Technical Parameters	3
4 Installation	4
4.1 Packing List	4
4.2 Installation Precaution	4
4.3 Mounting	5
4.4 Typical Wiring Diagram	5
4.5 Connection of Energy Controller	6
5 LCD Function	8
6 Warranty Regulation and Liability	9

1 Notes and Safety

This manual is an integral part of Energy Controller, it describes the assembly installation, LCD function, troubleshooting. Please read it carefully before operating.

Model: X1-NFI X3-NFI

Note: "1" means for one phase. "3" means for three phase.

Symbol on the Type Label:



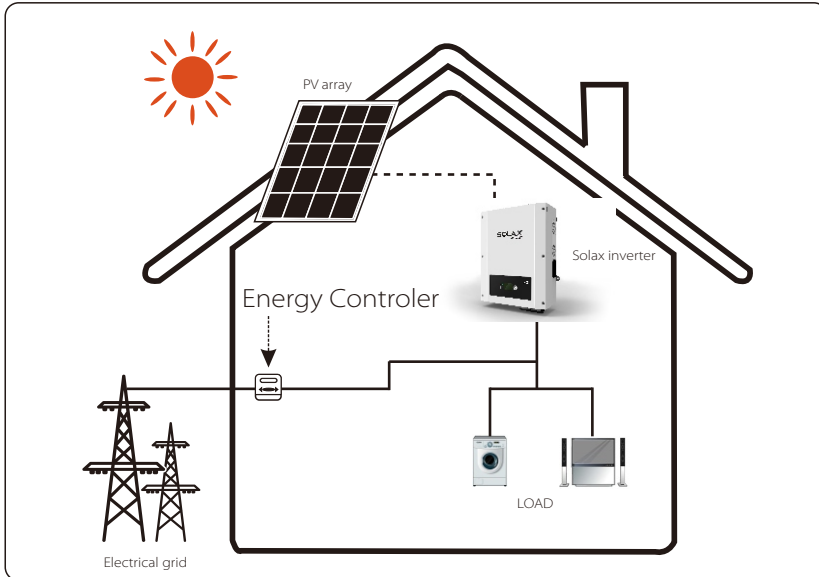
Danger of high voltage.
Danger to life due to high voltage of this machine.

- All operations described in this manual only can be performed by qualified electricians.
- Children should be supervised to ensure that they do not play with the appliance.
- Authorized service personnel must disconnect all power from Energy Controller before attempting any maintenance or cleaning or working with Energy Controller.
- Make sure the existing wiring is in good condition and that wire is not undersized. Do not operate Energy Controller with damaged or substandard wiring.
- Keep away from flammable, explosive materials to avoid fire disaster.

2 Introduction

2.1 Basic features

Energy Controller is integrated with meter, control MCU, RS485 to communicate with the inverter, it can control the power of inverter to assure that the redundant power will not feed into Grid.



Wherever you use the Energy Controller, first you need confirm it can be communicate with the inverter. It is compatible with Solax inverter:

The model of X1 Series:

(X1-1.1-S-N X1-1.1-S-D X1-1.5-S-N X1-1.5-S-D X1-2.0-S-N X1-2.0-X-D)
(X1-2.5-S-D X1-2.5-S-N X1-3.0-S-D X1-3.0-S-N X1-3.3-S-D X1-3.3-S-N)

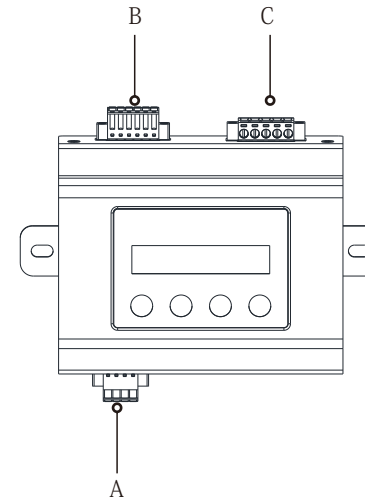


NOTE!

The software of compatible inverter should be upgraded if the Energy Controller is chosen.

It's better to contact with Solax Sales department to confirm whether the Energy controller can use or not, if the inverter don't belong to recommended models.

2.2 Terminals of Energy Controller



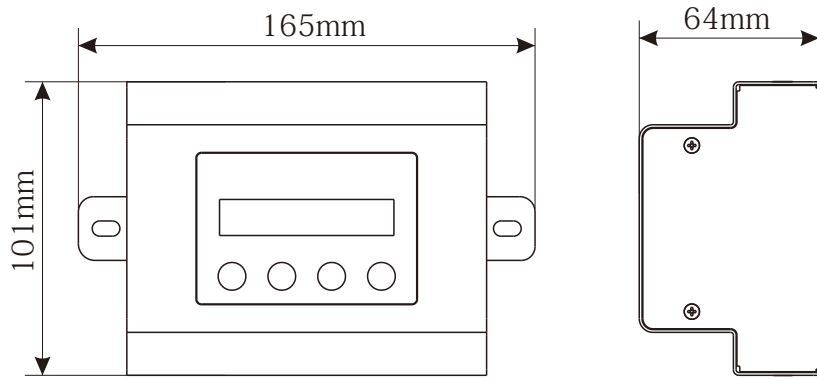
A	RS485 port
B	Current acquisition port
C	Voltage acquisition port



Warning!

Only authorized personnel is allowed to set the connection.

2.3 Dimension



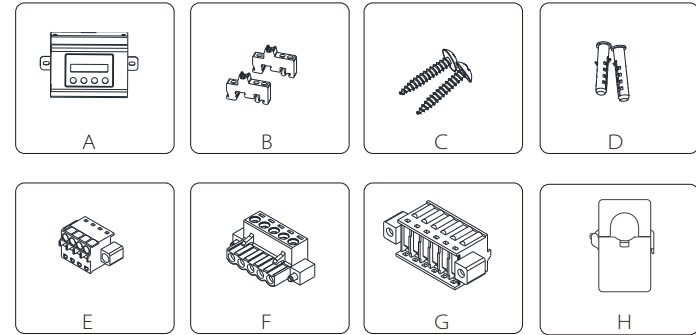
3 Technical Parameters

	Model	
	X1-NFI	X3-NFI
INPUT	X1-NFI	X3-NFI
Rated Voltage (V)	230V/220V	
Voltage Range(V)	160~300V	
Rated Current(A)	0.5A	
Max Power (W)	5	
AC Terminal	5	
Rated grid frequency (Hz)	50/60	
Envoirment		
Protection Class	IP20	
Temperature Range(℃)	-25℃~60℃	
Installation mode	Guide rail /Hanging	
Others		
Dimension(W*D*H)(mm)	165*101*64	
Weight(kg)	1	
Terminal	Voltage input /Current input /RS485	
LCD display	80*36	
Control Accuracy	<2%	
Button	4(Up,Down,OK,ESC)	
Certification	EN61000	

4 Installation

4.1 Packing list

Open the package and fetch out the product, check the accessories at first. The packing list shows as below.



Object	Quantity	Description
A	1	Energy Controller
B	2	Guide rail fastener
C	2	Expansion screw
D	2	Expansion tube
E	1	RS485 terminal(4 PIN)
F	1	Voltage terminal(5 PIN)
G	1	Current terminal(6 PIN)
H	1 for X1-NFI/3 for X3-NFI	CT

4.2 Installation Precaution

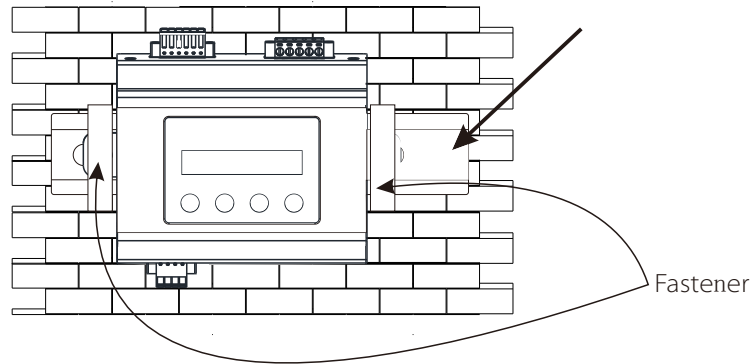
Energy Controller is designed for indoor installation (IP20). Outdoor use is not permitted.

SolaX suggests it is most suitable for switch cabinet or hanged up on the wall indoor only.

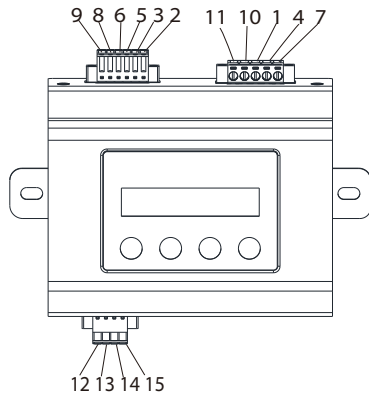
- Check the installation environment. Please avoiding direct sunlight.
- In order to realise optimal performance, the recommended ambient air temperature should be in the range of -10~+50℃.

4.3 Mounting

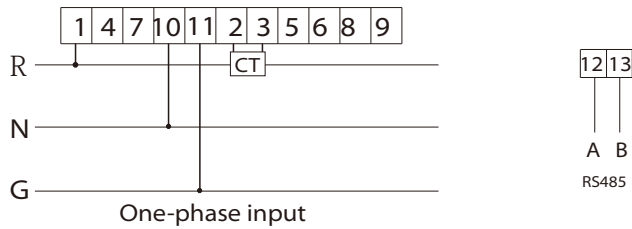
Install the terminal according to meaning, then Fix the Energy Controller on the guide rail by the fasteners in the package.
Guide rail(not provided)



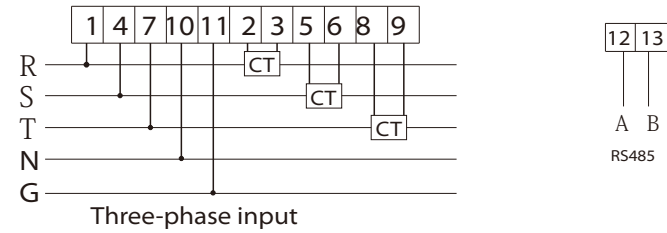
4.4 Typical wiring diagram



One-phase wiring instruction(X1-NFI):



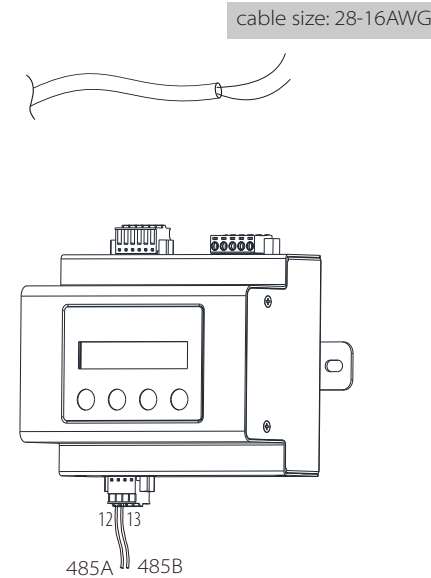
Three-phase wiring instruction(X3-NFI):



4.5 Connection of Energy Controller

Step 1: RS485 terminal connection

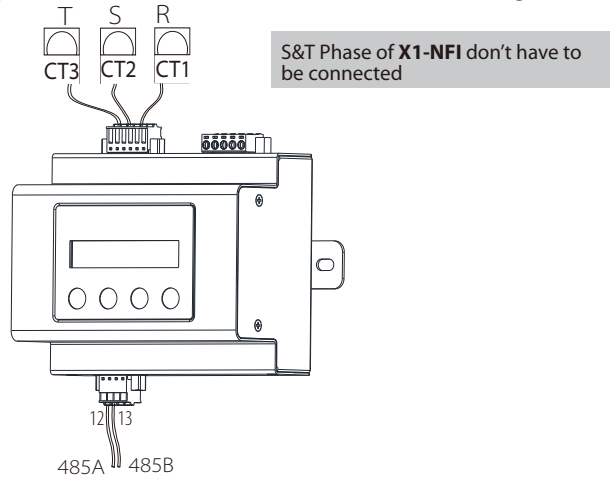
Insert the wire into the RS485 port of the Energy Controller, insert the other side to the inverter according to the definition.



Step 2: Connect with Grid

a. Current wire connection

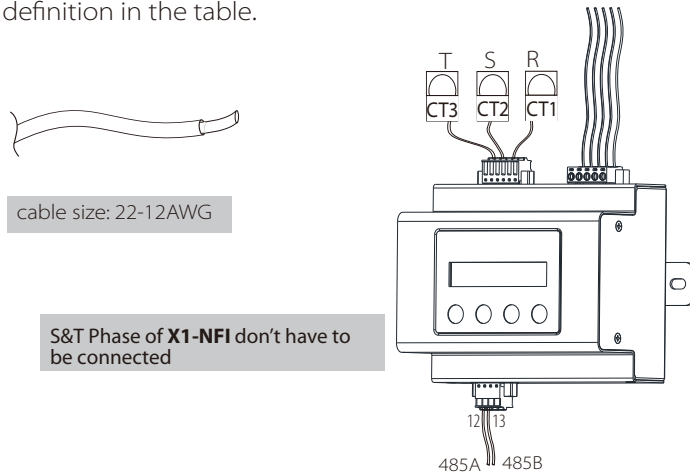
Insert the wire terminal of the CT to the current acquisition port of Energy Controller, connect the buckle of CT to the grid .



Number on the Energy Controller	2	3	5	6	8	9
The color of the CT wire	white	black	white	black	white	black
CT Export	CT1+	CT1-	CT2+	CT2-	CT3+	CT3-
AC Phase	R		S		T	

b. Voltage wire connection

Make wire, insert the wire to the voltage acquisition port of Energy Controller, insert the other side of the wire to the grid following the definition in the table.



Number on the Energy Controller	1	4	7	10	11
AC phase	R	S	T	N	GND



Warning!

Please ensure that the wire connection follows the definition , or the unit wouldn't work normally.

5 LCD function.

Display content	Meaning	Display content	Meaning
Po	Active Power	No	Number of Parallel Inverter
U _r	R Phase Voltage	Model	The Model of The Inverter
U _s	S Phase Voltage	E-Ctrl	Allowed Max Power to The Grid
U _t	T Phase Voltage	CT	Model of the CT
I _r	R Phase Current	R_Power	Rated Power of the Inverter
I _s	S Phase Current	CPU	The Version of CPU
I _t	T Phase Current	PF _r	R Phase Power Factor
P _r	R Phase Power	PF _s	S Phase Power Factor
P _s	S Phase Power	PF _t	T Phase Power Factor
P _t	T Phase Power	Fac	Frequency of AC

6 Warranty Regulation and Liability

Terms and conditions

SolaX grants a warranty of 12 months as standard. Starting from the date of the purchase invoice marked. SolaX will only perform warranty service when the faulty unit is returned to SolaX together with a copy of invoice and warranty card which were issued by the dealer and manufacturer to the users. In addition, the type label of the unit must be fully legible. If these requirements are not fulfilled, SolaX reserves the right for all warranty terms and conditions.

Exclusion of liability

Warranty claims are excluded for direct or indirect damage due to:

- 1: Use of unit in ways not intended, improper installation and installation that does not comply with standards, improper operation and unauthorized modification to the units or repair attempt.
- 2: Without warranty card and serial number.
- 3: Operating the units with defective protective equipment.
- 4: Influence of foreign objects and force majeure.
- 5: Inadequate ventilation.
- 6: Violate relevant safety regulations.

To register your SolaX product, please mail this warranty Registration Form to:

ADD: Room 206, West Building A Sci. and Tech Park of Zhejiang University
No.525, Xixi Road, Hangzhou Zhejiang Province, China 310007

Tel: +86 571 56260011 Fax: +86 571 56075753

Email: service@solaxpower.com

Web: <http://solaxpower.com/en/warranty-registration/>

Online warranty registration is available at

<http://solaxpower.com/en/warranty-registration/>



Warranty Registration Form

Name Country

Phone Number..... Zip Code

Email

Address

Product Serial Number

Date of Commissioning

Installation Company Name

Date of Delivery

Signature