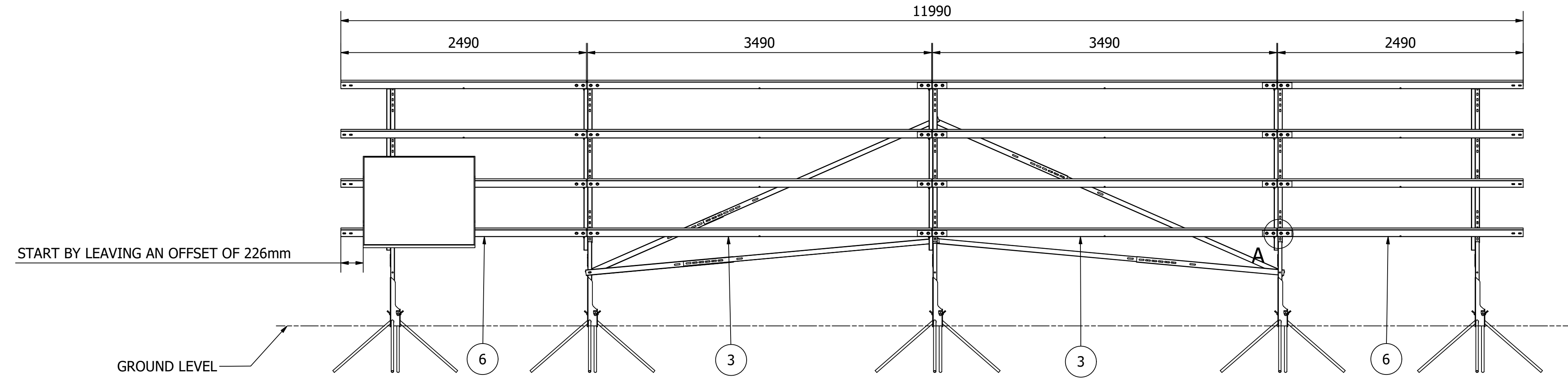
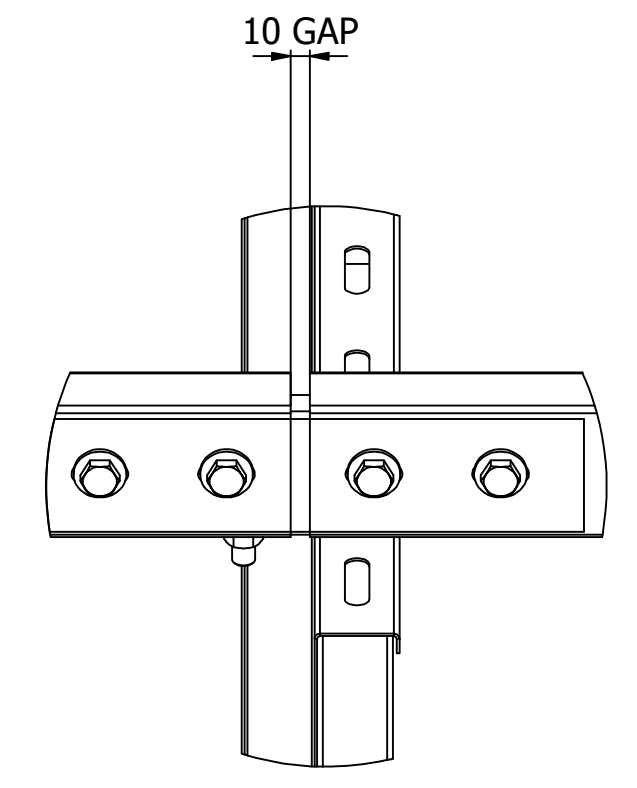


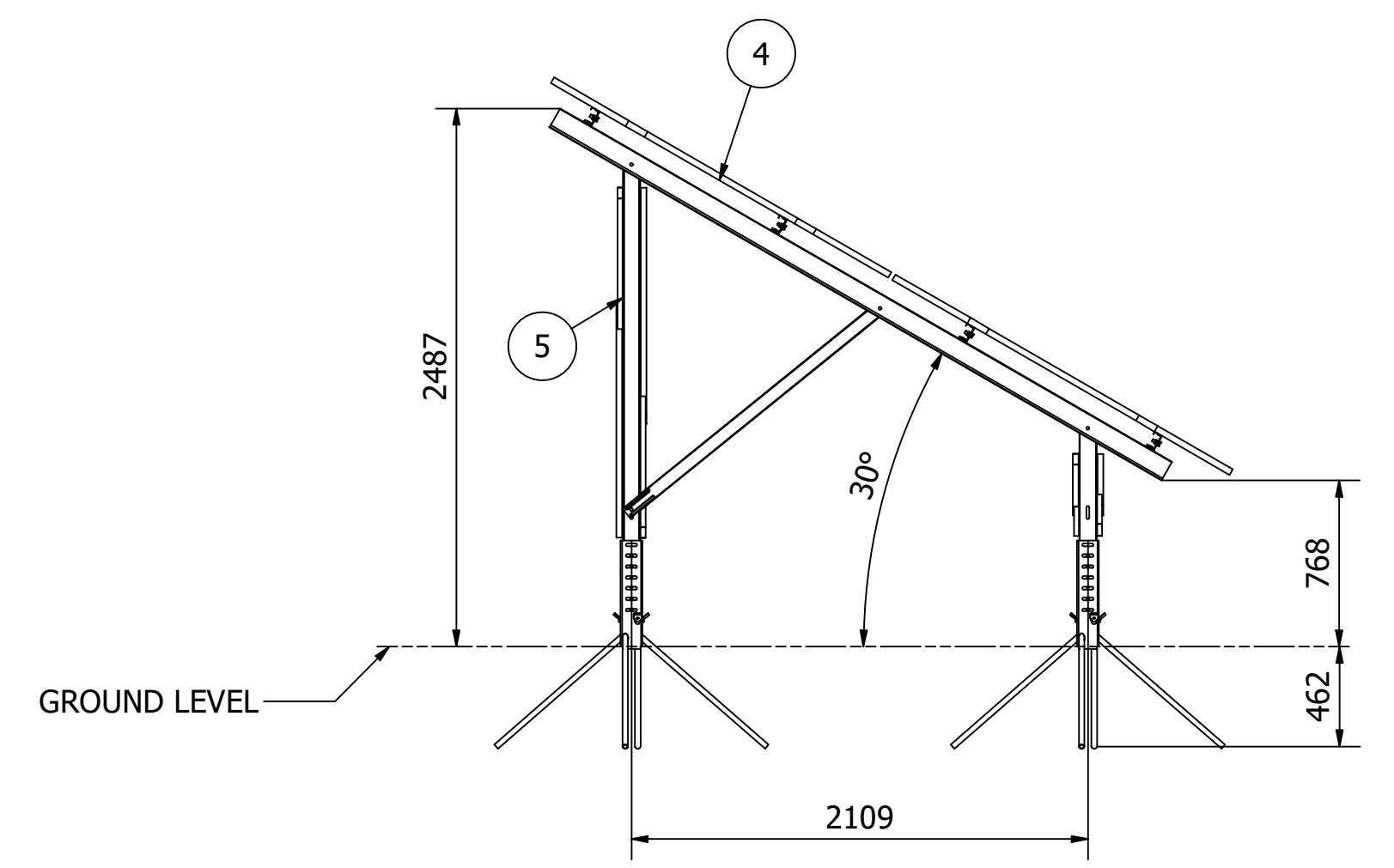
ROW TYPE 1 (PILE DIAGRAM)
SHOW PILE POSITIONS



ROW TYPE 1 (PURLIN DIAGRAM)
SHOW PURLIN POSITIONS



DETAIL VIEW A (1:4)
TYP ALL POSNS



ROW TYPE 1 (SIDE VIEW)
NOT TO SCALE
SHOW UPRIGHT POSITIONS

IMPORTANT NOTE:

- PANEL CLAMPING ZONE ADHERENCE IS THE RESPONSIBILITY OF INSTALLER PURLIN POSITION CAN BE ADJUSTED TO SUIT PANEL MANUFACTURER'S CLAMPING ZONE REFER TO THE PANEL MANUFACTURER SPECIFICATIONS FOR CLAMPING INFORMATION.
- DRAWING DOES NOT INCLUDE BRACINGS, PLEASE REFER TO THE INSTALLATION GUIDE.

PARTS LIST			
ITEM	QTY	PART NUMBER	DESCRIPTION
1	12	0000-JRC-105	GM COMMON JOINER 75x34x20x1.45 300L
3	8	1261-PUR-3490	GM PURLIN 80x40x1.45 3490L
4	20	2 In P - Solar Panel	
5	5	2 In P - UPA - ADS	
6	8	1261-PUR-2490	GM PURLIN 80x40x1.45 2490L
9	4	0000-RBR-001	External Wind Brace 1500x57x26x1.45
10	4	0000-RBR-005	Internal Wind Brace 2600x51x29x1.45

<p>All Dimensions are in Millimeters</p> <p>For Drawing Requirements, Refer to W1-08-03-01 Design Manual</p> <p>Fabrication Structural Framework Designed I.A.W. EN 1991-1-4:2005+A1 Tolerances (U.O.S.): Linear ±2.0mm Angular ±1.0°</p> <p>Manufacturing Tolerances (U.O.S.): Material Lengths ±1.0mm Holes & Slots (Size and positioning) ±0.5mm Angular ±1.0°</p> <p>Design Code: EN 1990:2002+A1, EN 1991-1-4:2005+A1, Parts 1, 3 & 7 (Eurocodes)</p>		<p>Debur and Break all Sharp Edges</p> <p>IF IN DOUBT, ASK!</p> <p>Material: AS PARTS</p> <p>Finish: AS PARTS</p> <p>Weight: N/A</p>	<p>ECR No. N/A</p> <p>Description of Change: First drawing, initial issue</p> <p>Date of Change: 23/08/2024</p> <p>Drawn By: SYG</p> <p>Checked By: PB</p>	<p>SOLARPORT The Cove, Gore Cross Business Park Bridport Dorset DT6 3FH.</p> <p>T +44 (0)1308 800 501 e. info@solarportsystems.com w. www.solarportsystems.com</p>	<p>Title: 2 x 10 STA Modular Drawing</p> <p>Drawing No.: Modular Layout</p> <p>Project No.: M240264</p> <p>Revision: 1</p> <p>Scale: 1 : 30</p> <p>Sheet 1 of 1</p>
--	--	---	--	---	---