

## 4.3 Grid Connection

For most of the customers, please ONLY connect the GRID port.

Please leave LOAD port unconnected.

Unless you need the EPS (Emergency Power Supply) function.

Step 1: Loosen 4 screws (part A) using a screwdriver (fig. 11)

Step 2: Remove the waterproof cover (part B), loosen the cable gland (part C), then remove the stopper (part G)

Step 3: Route a 3-core cable through GRID cable gland, then connect 3 wires to corresponding terminal blocks. (BROWN – L, BLUE – N, YELLOW/GREEN – PE)

Step 4: Fasten the waterproof cover using 4 screws.

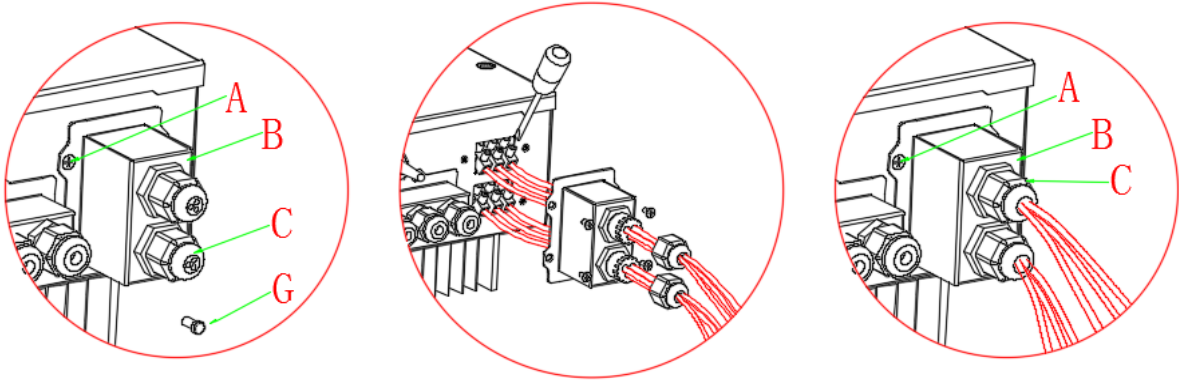
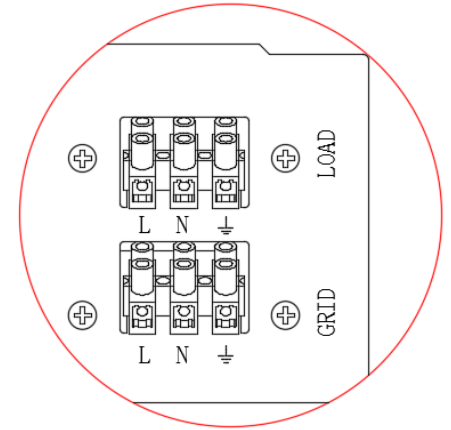


Fig. 11 Grid & Load connection

### 4.4 Critical Load Connection (EPS function)

Critical load: in case of grid outage, ME 3000SP will work in EPS (Emergency Power Supply) mode, discharge the battery & supply power to critical load via LOAD port.

LOAD port is only for critical load connection.

The connection procedure of LOAD port is the same as grid connection (Fig. 11).

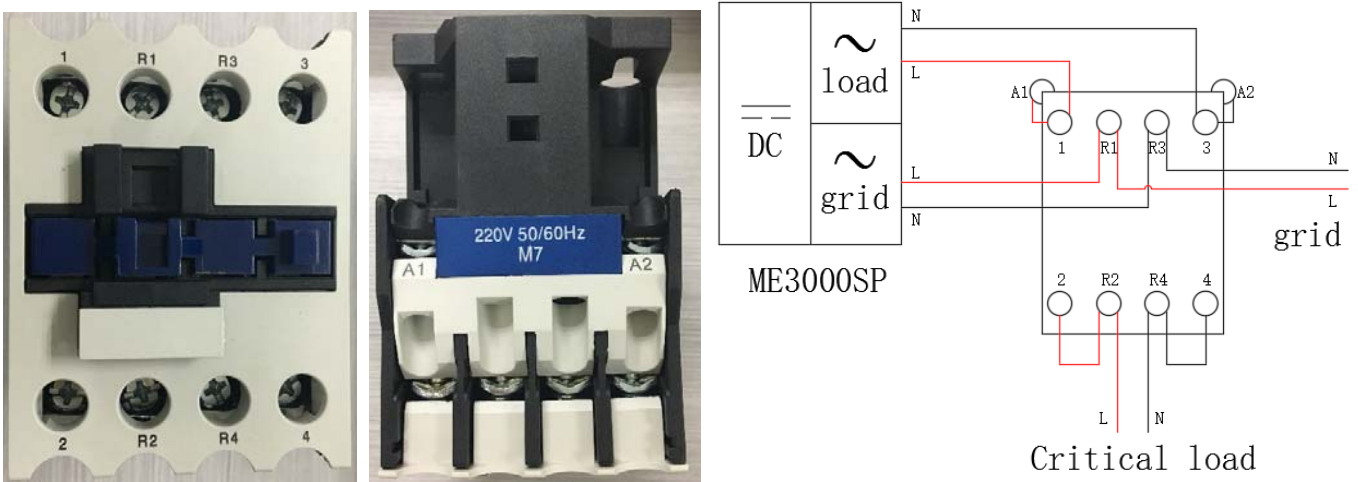


Fig. 12 AC contactor front view, top view, and connection

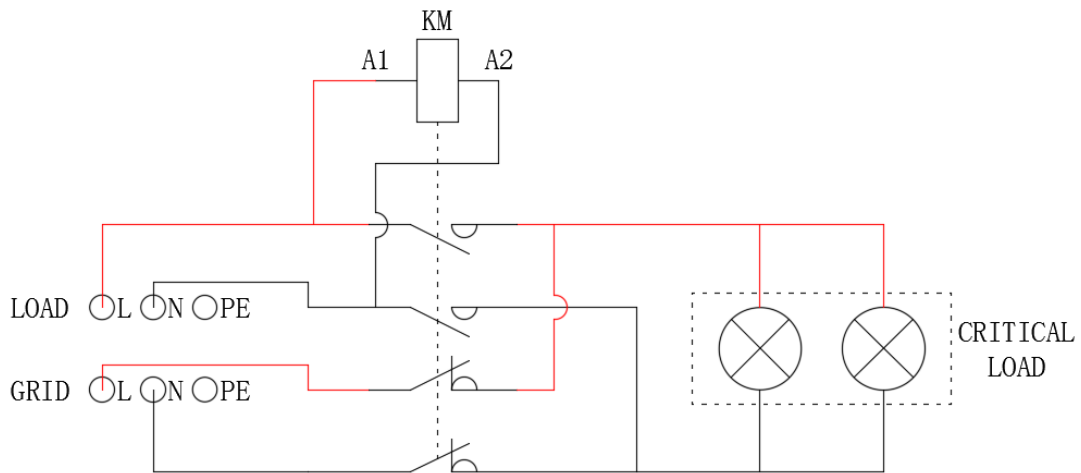


Fig. 13 Critical load connection (AC contactor: 2 NC, 2 NO)