

Visit our website:
www.sl-rack.com

Find us on



Innovative Product Development



„Our racking systems have been developed since 1996 and are continuously optimized. Pre-assembled components that are quick and easy to install, prompt order processing, a reliable product supply and cost-effectiveness are our focus.

All our components follow a convenient top-down installation approach, ensuring a smooth and timesaving workflow. SL Rack systems are installer-friendly, intuitive and standardized, while still having the flexibility to adapt to each respective project site.“

Sincerely,

Ludwig Schletter

SL Rack in numbers:

26..... Years of experience

30..... GW installed worldwide

15..... Product specialists are happy to support you

EU..... Almost exclusively manufactured in Germany and Europe

100% Stainless steel and aluminum- **extremely durable**

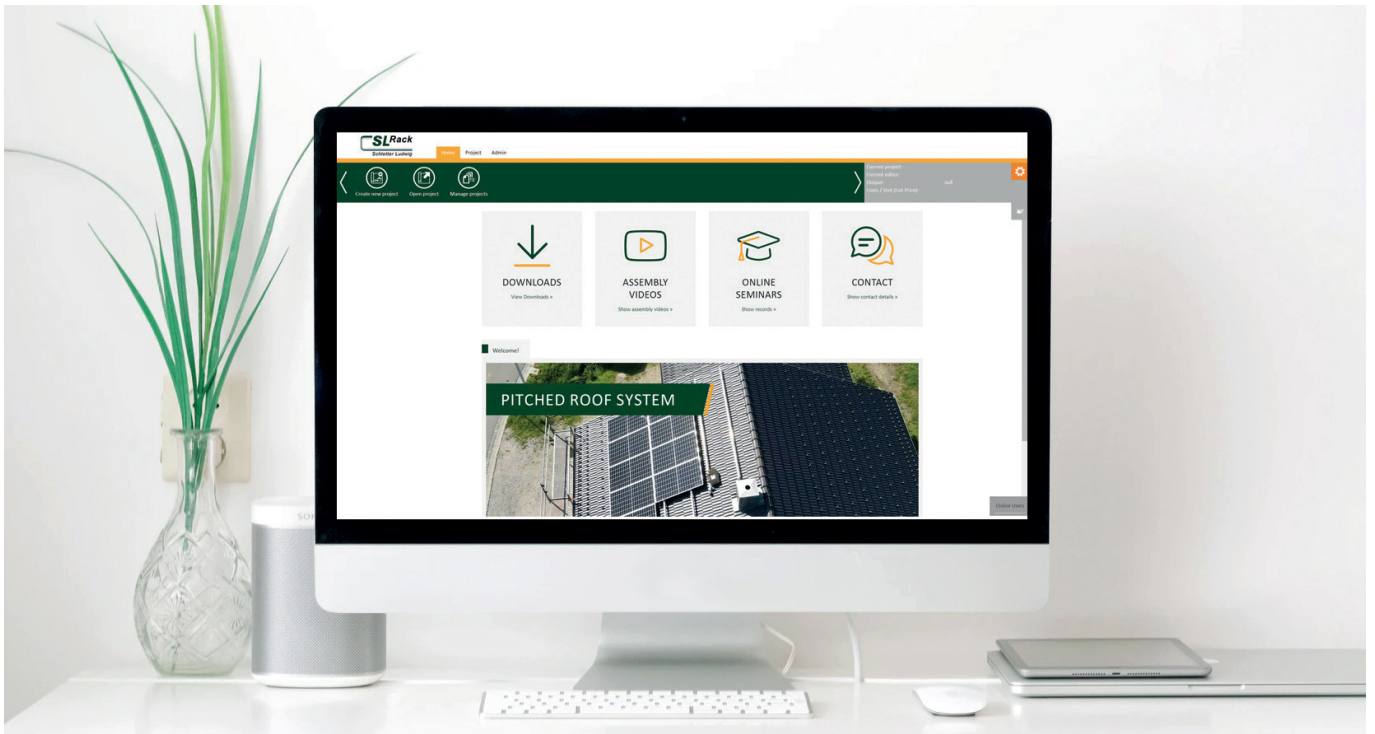


Visit our
website:
www.sl-rack.com



Check out our
YouTube-channel:
[Installation videos >](#)

*Our warranty conditions apply. They are available at www.sl-rack.com



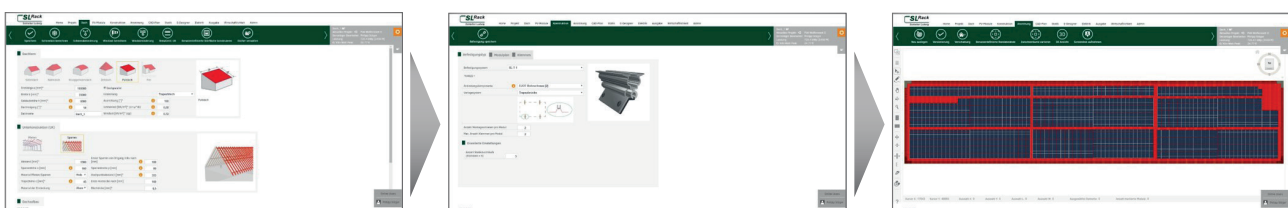
Welcome to our **Solar.Pro.Tool**

Solar.Pro.Tool



Design your rooftop projects quickly and with ease using our **Solar.Pro.Tool**, available on our website.

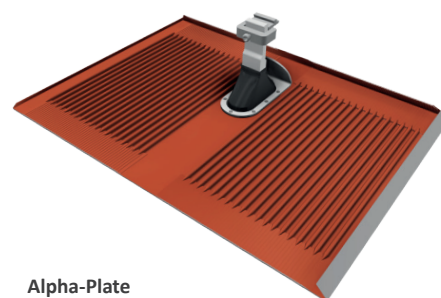
- » For all pitched and flat roofs
- » Finish your design in 10 simple steps
- » In 2D or 3D (PDF, DXF, DWG)
- » Building authority certified
- » Precise ballast calculations for any type of flat roof
- » Drawings and bill of material



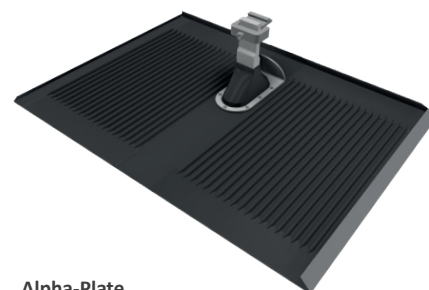

UNIQUE IN THE MARKET

Alpha-Plate

- » Cover length: 430 mm
- » Universal roof replacement panel for almost any type of tile
- » Up to 60 % reduction of roof attachments
- » Suitable for high snow loads (up to 1.500 kg)
- » Optimized warehousing
- » Mechanical cutting unnecessary; no more broken tiles!
- » Min. width of rafter only 36 mm (when using M6 screws)
- » Height of rail easily adjustable with pre-installed Clamp Combination (switch with Clamp Combination vertical, item no. 11105-05 for a vertical rail installation)
- » Installer-friendly "top-down" design: just place the rail onto the Clamp Combination. One screw fixates the rail and locks in the height at the same time.
- » Only one tool required: Torx TX40
- » Sealed with a riveted, UV-resistant EPDM rubber sleeve and raised panel sides
- » Wind calmed zones are created in the corrugated depressions; this allows the water to flow straight downwards
- » Integrated snow- and ice deflector
- » Installation as single- or cross-rail system
- » Material: Rolled aluminum sheet metal



Alpha-Plate
Colour: Brick Red RAL 8004
 Item no. 11500-00



Alpha-Plate
Colour: Anthracite RAL 7016
 Item no. 11500-01

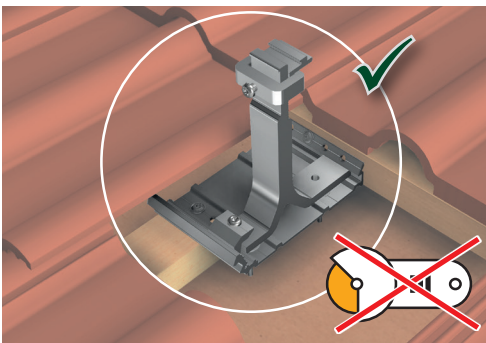
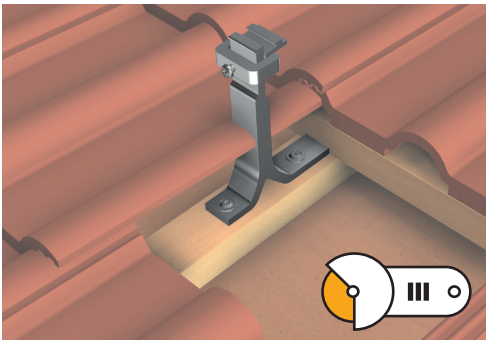
VARIANTS

Item no. 11500-00	EAN 4262355110971	Alpha-Plate Colour: Brick Red RAL 8004	5 pcs. per PU
Item no. 11500-01	EAN 4262355110988	Alpha-Plate Colour: Anthracite RAL 7016	5 pcs. per PU

Accessories

» **Alpha-Flex 120**
Item no. 11512-00

- Mounting plate for console
- Lateral adjustability
- Grounding lug can be attached
- Incl. Alpha-Flex-Console Mounting Clamp



» **Alpha-Flex 2000**
Item no. 11501-2000

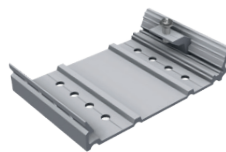
- Profile can span the width of up to 2 rafters (required in case an appropriate attachment for the console or mounting plate is not available)
- Better load distribution if multiple consoles are utilized
- Lateral adjustability
- Grounding lug can be attached



Vertical Clamp Combination
Item no. 11105-05



Optional Potential Equalization Clamp for SL Alu and Alpha-Flex
Item no. 11101-20



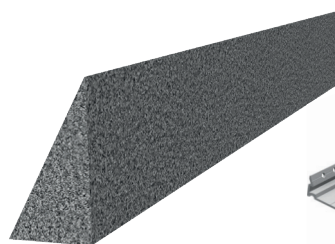
Mounting Plate for Console Alpha-Flex 120 incl. Alpha-Flex-Console Mounting Clamp
Item no. 11512-00



Optional Alpha-Flex-Console Mounting Clamp
Item no. 11501-02

» **Foam wedge**
Item no. 97401-00

- optional component for rodent protection for extreme types of tile
- self-adhesive full foam strip
- malleable structure
- made of rot-proof net foam



Optional foam wedge for Alpha-Plate
Item no. 97401-00



Rafter Spanning Profile Alpha-Flex 2000
Item no. 11501-2000

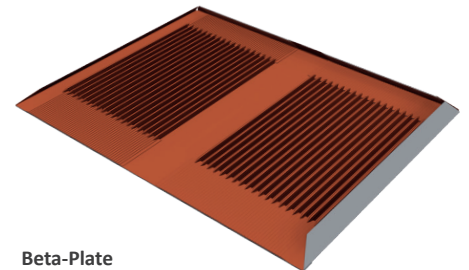
ACCESSORIES

Item no. 11512-00	EAN 4262355110346	Alpha-Flex 120, length 120 mm, incl. Alpha-Flex-Console Mounting Clamp	20 pcs. per PU
Item no. 11501-2000	EAN 4262355110353	Alpha-Flex 2000, length 2000 mm	20 pcs. per PU
Item no. 11105-05	EAN 4262355110339	Clamp Combination, vertical	100 pcs. per PU
Item no. 11501-02	EAN 4262355111428	Alpha-Flex-Console Mounting Clamp	200 pcs. per PU
Item no. 11101-20	EAN 4262355111411	Potential Equalization Clamp for SL Alu and Alpha-Flex	200 pcs. per PU
Item no. 97401-00	EAN 4262355111985	Foam wedge for Alpha-Plate	100 pcs. per PU

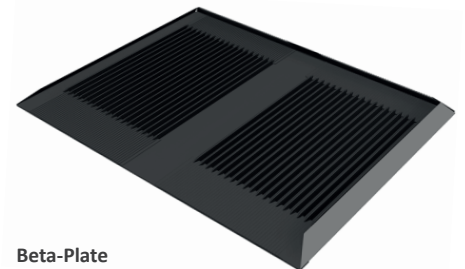

UNIQUE IN THE MARKET

Beta-Plate *INNOVATION*

- » Cover length: 430 mm
- » Universal roof replacement panel for almost any type of tile
- » Can be combined with the SL Alu roof hook series
- » Flexible positioning on the roof
- » Long-lasting stability due to integrated step protection
- » With proven butyl adhesive strip
- » **Including rodent protection (foam wedge, item no. 97401-00)**
- » Optimized warehousing
- » Mechanical cutting unnecessary; no more broken tiles!
- » Prevents consequential damage
- » Wind calmed zones are created in the corrugated depressions; this allows the water to flow straight downwards
- » Available in brick red (similar to RAL 8004) and anthracite (similar to RAL 7016) - two models that fit almost any roof
- » Material: Rolled aluminum sheet metal



Beta-Plate
Colour: Brick Red RAL 8004
Item no. 11522-00



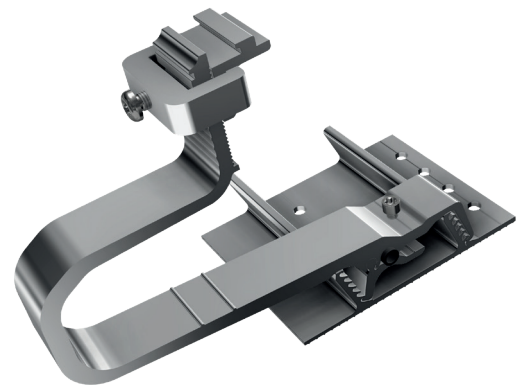
Beta-Plate
Colour: Anthracite RAL 7016
Item no. 11522-01

VARIANTS

Item no. 11522-00	EAN 4262355112050	Beta-Plate Colour: Brick Red RAL 8004	5 pcs. per PU
Item no. 11522-01	EAN 4262355112067	Beta-Plate Colour: Anthracite RAL 7016	5 pcs. per PU

Roof hook 3D SL Alu L

- » Suitable for all common tile roofs / snow load zones
- » **Three-dimensional adjustability of the roof hook:**
 - Optimal adaptability to the roof: no shims necessary!
 - Simple height adjustment of the foot from 35 mm - 60 mm, bracket just needs to be hooked in at the appropriate position and fixated
 - Lateral flexibility of the base plate allows for optimal positioning of the bracket when exiting the roof tiles
- » Proven and fast hook-in technology for rails
- » Height of rail easily adjustable with pre-installed Clamp Combination (switch with Clamp Combination vertical, item no. 11105-05 for a vertical rail installation)
- » Only one tool required: Torx TX40
- » Installation as single- or cross-rail system
- » Due to larger hole spacing the use of M6 screws is possible
- » Application even on narrow rafters, e.g. nail trusses with a min. width of 36 mm (provided the use of M6 screws)
- » Completely made of aluminum
- » Advantage of aluminum over stainless steel:
The thickness of the material can be adapted to the absorption of the acting forces, lower weight
- » Potential Equalization Clamp (Item no. 11101-20) can be attached
- » **Compatible with Rafter Spanning Profile SL Alu-Flex 2000 (Item no. 11102-2000):**
 - Allows for max. lateral adjustments and the positioning of roof hooks between 2 rafters
 - for spanning over a non-loadable rafter
 - Ideal for the installation of roof hooks close to the verge or around dormers



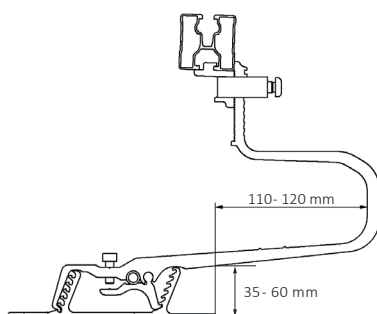
**Optional Vertical
Clamp Combination**
Item no. 11105-05



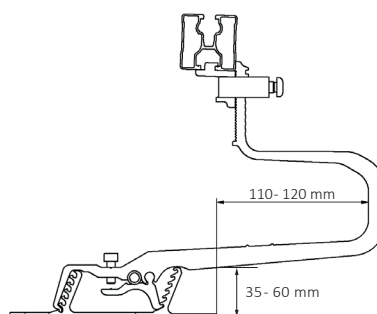
**Optional Potential
Equalization Clamp for
SL Alu and Alpha-Flex**
Item no. 11101-20



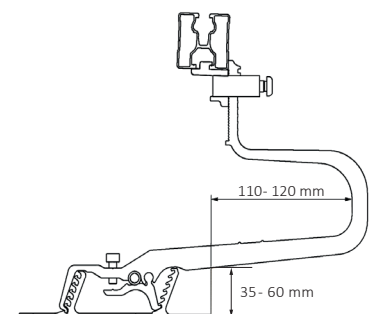
**Optional Rafter Spanning Profile
SL Alu-Flex 2000**
Item no. 11102-2000



SL Alu L



SL Alu XL
for high snow load



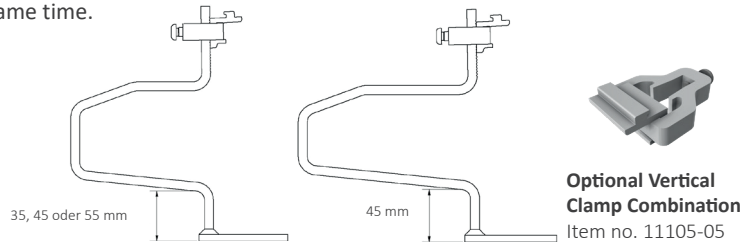
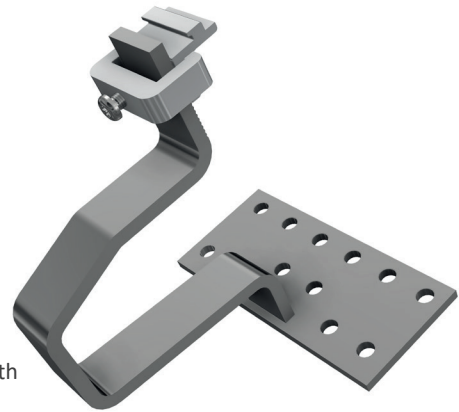
SL Alu XXL
heavy duty

VARIANTS

Item no. 11100-01	EAN 4262355111909	Roof hook 3D SL Alu L (long)	10 pcs. per PU
Item no. 11100-02	EAN 4262355111916	Roof hook 3D SL Alu XL (long)	10 pcs. per PU
Item no. 11100-03	EAN 4262355111961	Roof hook 3D SL Alu XXL (long)	10 pcs. per PU
Item no. 11105-05	EAN 4262355110339	Clamp Combination, vertical	100 pcs. per PU
Item no. 11101-20	EAN 4262355111411	Potential Equalization Clamp for SL Alu and Alpha-Flex	200 pcs. per PU
Item no. 11102-2000	EAN 4262355111992	SL Alu-Flex 2000	20 pcs. per PU

Roof Hook SL A2

- » Economical and reliable Allrounder
- » Suitable for all common tile roofs / snow load zones
- » Optimal adaptability to the roof with 2 mm or 5 mm shims
- » Height of rail easily adjustable with pre-installed Clamp Combination (switch with Clamp Combination vertical, item no. 11105-05 for a vertical rail installation)
- » Installer-friendly “top-down” design: just place the rail onto the Clamp Combination. One screw fixates the rail and locks in the height at the same time.
- » Only one tool required: Torx TX40
- » Installation as single- or cross-rail system
- » Material: Stainless steel, welded

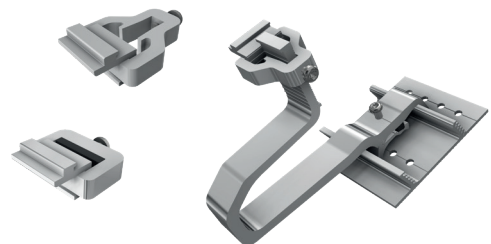


VARIANTS

Item no. 13135-01	EAN 4262355110926	Roof Hook SL A2-35	20 pcs. per PU
Item no. 13145-01	EAN 4262355110933	Roof Hook SL A2-45	20 pcs. per PU
Item no. 13145-02	EAN 4262355110940	Roof Hook SL A2-45 X	10 pcs. per PU
Item no. 13145-03	EAN 4262355112036	Roof Hook SL A2-45 L (long)	10 pcs. per PU
Item no. 13155-01	EAN 4262355111923	Roof Hook SL A2-55	10 pcs. per PU
Item no. 11105-05	EAN 4262355110339	Clamp Combination, vertical	100 pcs. per PU

Clamp Combinations

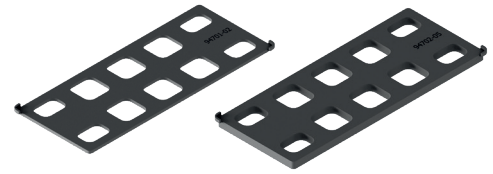
- » Connects to most roof hooks and Alpha-Plate
- » RAIL can be attached directly to the roof hooks
- » Quick and easy height adjustment for uneven roofs
- » Time-saving installation; only one tool required: Torx TX40
- » Installation as single or cross-rail system
- » Ensures a continuous low-resistance connection for equipotential bonding



VARIANTS

Item no. 11105-05	EAN 4262355110339	Clamp Combination, vertical	100 pcs. per PU
Item no. 13101-05	EAN 4262355110919	Clamp Combination, horizontal	100 pcs. per PU

Shims for Roof Hooks

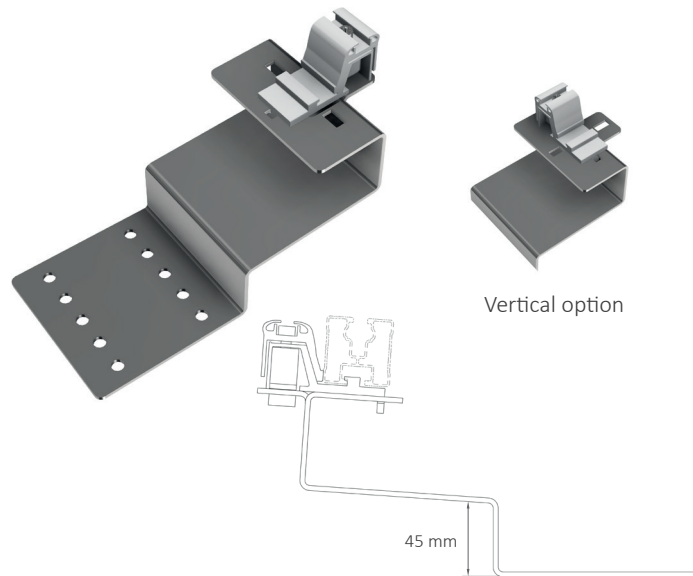


VARIANTS

Item no. 94701-02	EAN 4262355110278	Shim: 2 mm, 150 x 60 mm	100 pcs. per PU
Item no. 94702-05	EAN 4262355110285	Shim: 5 mm, 150 x 60 mm	50 pcs. per PU

Roof Hook SL A2-Tegalit

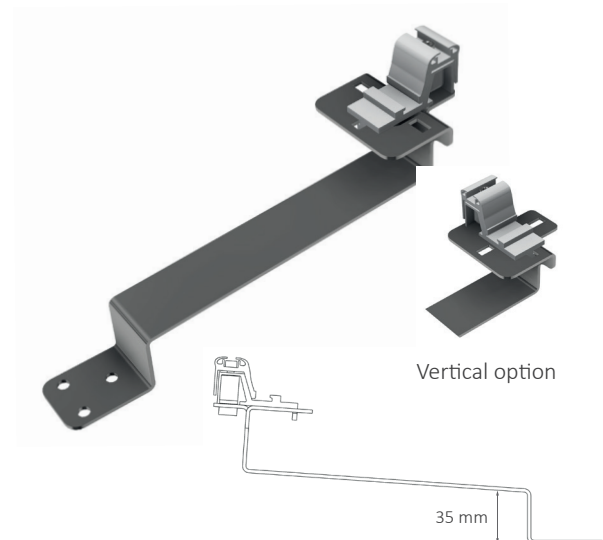
- » Cleverly designed stainless steel roof hook without a weld
- » Suitable for all common Tegalit roofs
- » Pre-assembled Cross Connector allows for horizontal and vertical installation
- » Mounting plate offers lateral adjustment
- » Installer-friendly “top-down” design: Just place the rail onto the Cross Connector and tighten the screw to fixate the rail
- » Only one tool required: Torx T40
- » Installation as single- or cross-rail system



Item no. 13105-00	EAN 4262355110964	SL A2-Tegalit	10 pcs. per PU
-------------------	-------------------	---------------	----------------

Roof Hook SL A2-Beavertail

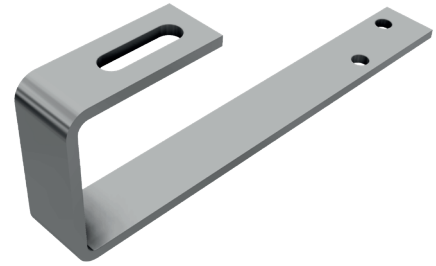
- » Cleverly designed stainless steel roof hook without a weld
- » Suitable for all common Beavertail roofs
- » Pre-assembled Cross Connector allows for horizontal and vertical installation
- » Mounting plate offers lateral adjustment
- » Installer-friendly “top-down” design: Just place the rail onto the Cross Connector and tighten the screw to fixate the rail
- » Only one tool required: Torx T40
- » Installation as single- or cross-rail system



Item no. 13106-00	EAN 4262355110407	SL A2-Beavertail	10 pcs. per PU
-------------------	-------------------	------------------	----------------

Roof Hook SL A2-Slate

- » Stainless steel roof hook without a weld
- » Works with roof replacement plates
- » Horizontal and vertical direct mounting of rails through M10 slot
- » Bolt (M10x25) and nut optionally available, items no. 93110-25 and 93306-10
- » Installation as single- or cross-rail system



Item no. 13107-00	EAN 4262355110391	SL A2-Slate	20 pcs. per PU
--------------------------	-------------------	-------------	----------------

Slate Roof Replacement Plate

- » Suitable for roof-parallel applications as well as elevated systems in conjunction with hangar bolts
- » Works for all common slate, bitumen, fiber cement and shingle roofs
- » Direct attachment to the roof substructure ensures a solid connection ([Page 22](#))

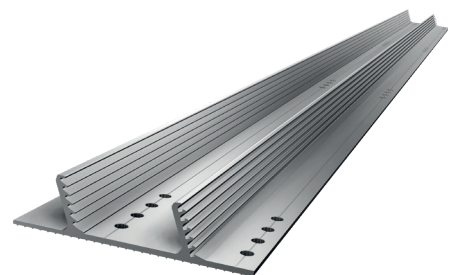


VARIANTS

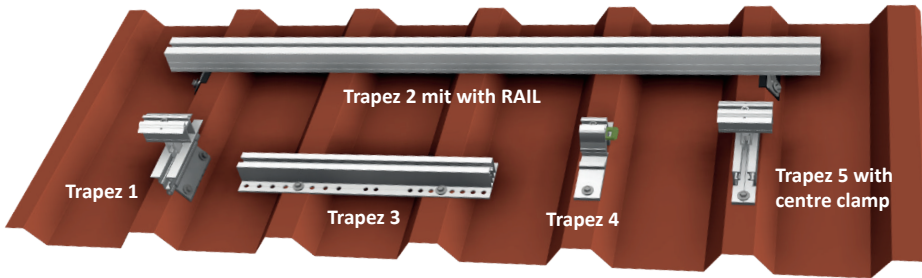
Item no. 13501-270	EAN 4262355110360	Slate Roof Replacement Plate 200 x 270 mm	50 pcs. per PU
Item no. 13501-370	EAN 4262355110377	Slate Roof Replacement Plate 200 x 370 mm	50 pcs. per PU
Item no. 13501-580	EAN 4262355110384	Slate Roof Replacement Plate 200 x 580 mm	25 pcs. per PU

Rafter Spanning Profile SL Alu-Flex 2000

- » Suitable for SL Alu L series roof hooks
- » Allows maximum horizontal movement and positioning of roof hooks between two rafters
- » Available in 2000 mm length



Item no. 11102-2000	EAN 4262355111992	SL Alu-Flex 2000	20 pcs. per PU
----------------------------	-------------------	------------------	----------------



Features Trapez 1 - 5:

- » Pre-installed EPDM rubber is UV-resistant and ensures water-sealing of the attachment
- » Self-tapping screws incl. EPDM sealing washer available separately
- » Optional: Potential Equalization Plate

Trapez 1

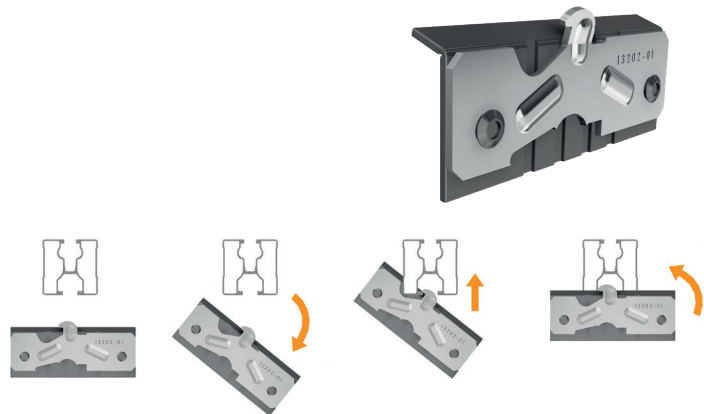
- » Very cost-effective and material-saving railless option for horizontal module installation
- » Suitable for almost any trapezoidal roof
- » Material: Aluminium



Item no. 11201-01	EAN 4262355110414	Trapez 1	100 pcs. per PU
-------------------	-------------------	----------	-----------------

Trapez 2

- » Simplest attachment for a railbased system
- » Suitable for almost any trapezoidal roof
- » Fits bottom channel of any RAIL
- » Insert into the bottom rail channel at a 90° angle, then twist
- » Always mount in pairs facing each other
- » Material: Stainless steel



Item no. 13202-01	EAN 4262355110421	Trapez 2	200 pcs. per PU
-------------------	-------------------	----------	-----------------

Trapez 3

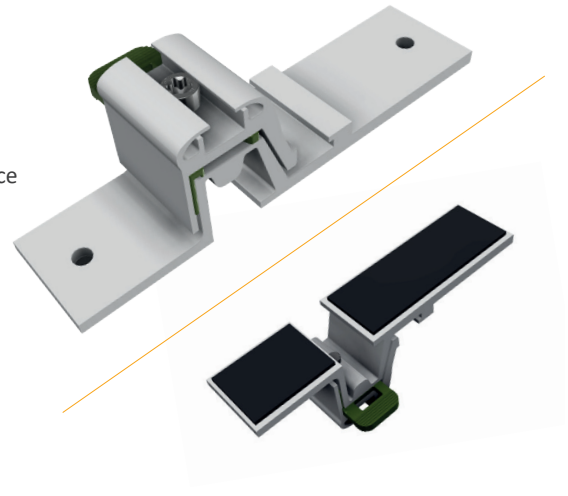
- » Convenient and time-saving installation from the top
- » 370 mm long rail can span over several ribs
- » Installation on top of the rib ensures best accessibility and greatest possible distance from the water-bearing layer
- » Vertical module mounting; horizontal mounting requires the use of Support Plates (item no. 91701-00)
- » Optional: Use Cross Connector to install additional RAILS
- » Material: Aluminium



Item no. 11205-03	EAN 4262355110438	Trapez 3	50 pcs. per PU
-------------------	-------------------	----------	----------------

Trapez 4

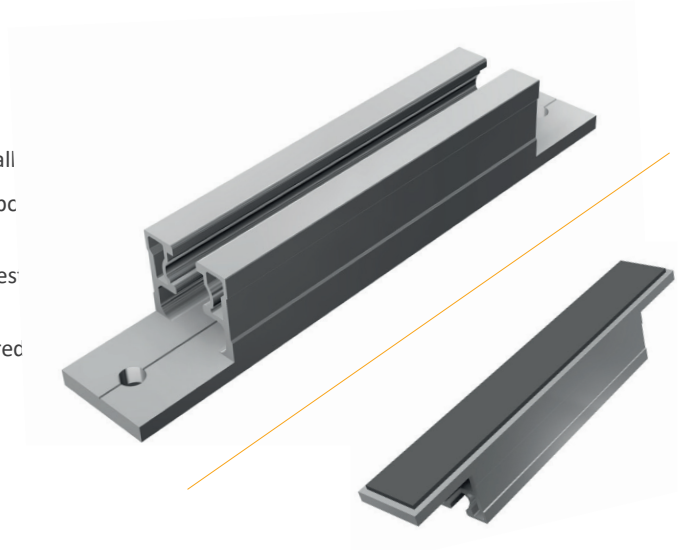
- » Convenient and time-saving installation from the top
- » Integrated plastic spacer offers the option of a sliding connection of the rail to accommodate thermal expansion
- » Installation on top of the rib ensures best accessibility and greatest possible distance from the water-bearing layer
- » Min. 2 attachments per RAIL (alignment of the profile clamps towards the eave)
- » Due to the increased contact area, higher forces can be transferred via the trapezoidal sheet
- » Material: Aluminium



Item no. 91203-00	EAN 4262355110445	Trapez 4	100 pcs. per PU
--------------------------	-------------------	----------	-----------------

Trapez 5

- » Convenient and time-saving installation from the top
- » Short rail with integrated rail channel for horizontal module install
- » Vertical modul mounting possible through additional use of Suppc Plates (item no. 91701-000) or Cross Connectors and RAILS
- » Installation on top of the rib ensures best accessibility and greatest possible distance from the water-bearing layer
- » Due to the increased contact area, higher forces can be transferred via the trapezoidal sheet
- » Material: Aluminium



Item no. 11202-01	EAN 4262355110452	Trapez 5	100 pcs. per PU
--------------------------	-------------------	----------	-----------------

Potential Equalization Plate

- » Transfers the potential of the system/modules to the trapezoidal roof (provided that the trapezoidal sheet metal roof is already grounded)
- » Works with Trapez I - V



Item no. 93201-00	EAN 4262355110261	Potential Equalization Plate	100 pcs. per PU
-------------------	-------------------	------------------------------	-----------------

Self-Tapping Screws for Trapezoidal Sheet Metal Roofs

- » **Self-tapping screw 5.5 x 20-25, sealing washer Ø 16 mm, Item no. 93155-25**
Drilling capacity steel..... 0,5 mm - 2,0 mm
Drilling capacity aluminum..... 0,5 mm - 2,0 mm
- » **Self-tapping screw 6.0 x 25-25, sealing washer Ø 16 mm, Item no. 93160-25**
Drilling capacity steel..... 0,4 mm - 2,0 mm
Drilling capacity aluminum..... 0,5 mm - 2,0 mm
- » **PREMIUM Self-tapping screw 6.0 x 25, sealing washer Ø 16 mm, Item no. 93161-25**
Drilling capacity steel..... 0,5 mm - 1,5 mm
Drilling capacity aluminum..... 0,4 mm - 2,0 mm



VARIANTS

Item no. 93155-25	EAN 4262355110995	Self-tapping screw 5.5 x 20-25, sealing washer Ø 16 mm for Trapez I - V	100 pcs. per PU
Item no. 93160-25	EAN 4262355111008	Self-tapping screw 6.0 x 25-25, sealing washer Ø 16 mm for Trapez I - V	100 pcs. per PU
Item no. 93161-25	EAN 4262355111640	PREMIUM Self-tapping screw 6.0 x 25, sealing washer Ø 16 mm for Trapez I - V	100 pcs. per PU

Self-Drilling Screw

- » **Self-drilling screw 5.5 x 25, sealing washer Ø 16 mm, Item no. 93155-26**
Drilling capacity steel..... 0,4 mm - 1,5 mm
Drilling capacity aluminum..... 0,4 mm - 5,0 mm



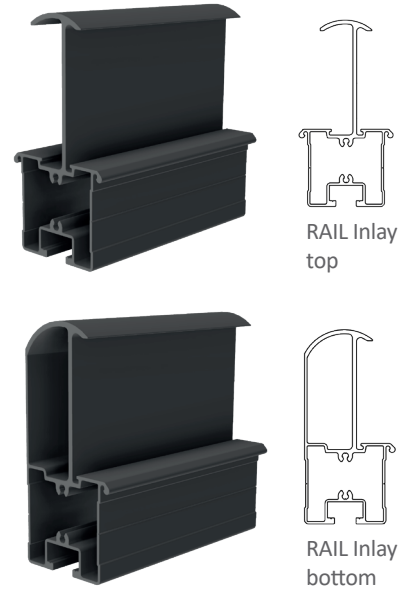
Beware of metal swarf on the roof!



Item no. 93155-26	EAN 4262355111015	Self-drilling screw 5.5 x 25, sealing washer Ø 16 mm	100 pcs. per PU
-------------------	-------------------	--	-----------------

Insertion System RAIL Inlay

- » Time-saving and cost-efficient installation without clamps
- » Black anodized for an elegant appearance
- » Only one-size rail: Inserts adjust to the various module heights (30 mm - 50 mm)
- » Optimized warehousing due to reduced number of components
- » Compatible with all SL Rack roof hooks and trapezoidal sheet metal connections
- » Vertical or horizontal module installation
- » Suitable for roof and façade systems
- » Available for specific module heights as a custom solution

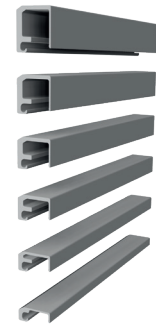


VARIANTS

Item no. 86501-6000	EAN 4262355110216	RAIL Inlay top, 6000 mm	80 pcs. per PU
Item no. 86502-6000	EAN 4262355110223	RAIL Inlay bottom, 6000 mm	80 pcs. per PU

Inserts

- » Inserts adjust RAIL Inlay to the respective module heights
- » The heights of the various inserts are matched to the module heights established on the PV market

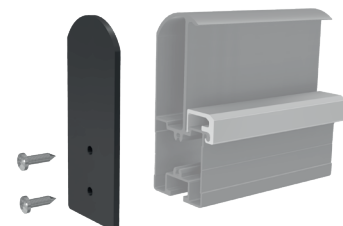


VARIANTS

Item no. 81501-30	EAN 4262355110209	Insert for module height 30 mm - 32 mm	200 pcs. per PU
Item no. 81501-33	EAN 4262355110193	Insert for module height 33 mm - 35 mm	200 pcs. per PU
Item no. 81501-36	EAN 4262355110186	Insert for module height 36 mm - 38 mm	200 pcs. per PU
Item no. 81501-39	EAN 4262355110179	Insert for module height 39 mm - 41 mm	200 pcs. per PU
Item no. 81501-42	EAN 4262355110162	Insert for module height 42 mm - 44 mm	200 pcs. per PU
Item no. 81501-45	EAN 4262355110155	Insert for module height 45 mm - 47 mm	200 pcs. per PU

End Cap RAIL Inlay

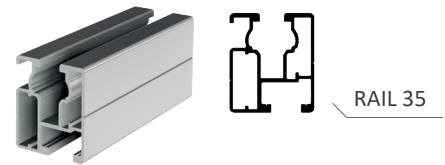
- » For RAIL Inlay top and bottom
- » Incl. 2 screws



Item no. 86525-00	EAN 4262355110148	End cap RAIL Inlay, black	500 pcs. per PU
--------------------------	-------------------	---------------------------	-----------------

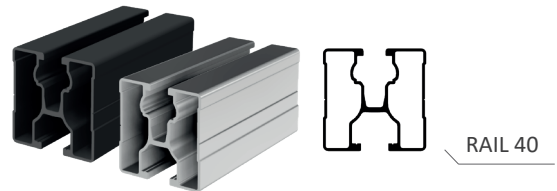
Module Mounting Profiles RAIL 35 - RAIL 60

- » Deep top rail channel accommodates module clamps for frame heights 30 mm - 50 mm
- » Bottom rail channel is optimized to fit all SL Rack rooftop attachments
- » Compatible with popular racking systems on the market
- » Very easy handling: fits well in the hand, easy to stack
- » Same weight/static values as comparable products
- » Depending on the rail height, different spans are possible (RAIL 60 and RAIL 120 achieve the largest spacing for roof connections)
- » RAIL 35 ist weight-optimized for lower loads
- » Available in various lengths, also in black anodized



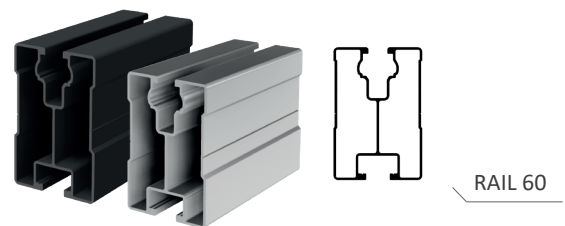
RAIL 35

Item no. 81135-4750	EAN 4262355111831	RAIL 35- 4750 mm	150 pcs. per PU
----------------------------	-------------------	------------------	-----------------



RAIL 40

Item no. 81140-2400	EAN 4262355111664	RAIL 40- 2400 mm	150 pcs. per PU
Item no. 81140-3600	EAN 4262355111848	RAIL 40- 3600 mm	150 pcs. per PU
Item no. 81140-4750	EAN 4262355111855	RAIL 40- 4750 mm	150 pcs. per PU
Item no. 86140-4750	EAN 4262355111862	RAIL 40- 4750 mm, black anodized	150 pcs. per PU
Item no. 81140-5850	EAN 4262355111893	RAIL 40- 5850 mm	150 pcs. per PU

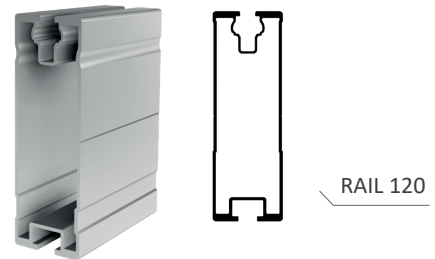


RAIL 60

Item no. 81160-2400	EAN 4262355110087	RAIL 60- 2400 mm	98 pcs. per PU
Art.-Nr. 81160-3600	EAN 4262355112029	RAIL 60- 3600 mm	98 pcs. per PU
Item no. 81160-4750	EAN 4262355111879	RAIL 60- 4750 mm	98 pcs. per PU
Item no. 86160-4750	EAN 4262355111886	RAIL 60- 4750 mm, black anodized	98 pcs. per PU

Module Mounting Profile RAIL 120

- » Deep top rail channel accommodates module clamps for frame heights 30 mm - 50 mm
- » Bottom rail channel is optimized to fit all SL Rack rooftop attachments
- » Compatible with popular racking systems on the market
- » Very easy to handle: fits well in the hand, stacks well
- » Same weight/static values as comparable products
- » RAIL 120 ensures easy access to plugs and better rear ventilation of the modules

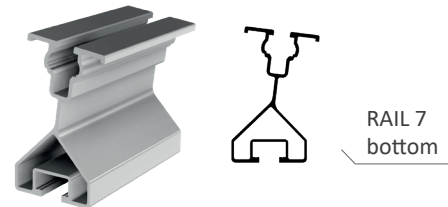


RAIL 120

Item no. 81112-5400	EAN 4262355111299	RAIL 120- 5400 mm	56 pcs. per PU
----------------------------	-------------------	-------------------	----------------

Module Mounting Profiles RAIL 7

- » Can be combined with the SL Rack roof hooks as well as Trapeze 1 - 5
- » Deep top rail channel accommodates module clamps for frame heights 30 mm - 50 mm
- » Bottom rail channel is optimized to fit all SL Rack rooftop attachments
- » RAIL 7 can lead to yield increases, thanks to an additional inclination of 7 °



RAIL 7 BOTTOM

Item no. 81107-4750	EAN 4262355112074	RAIL 7 bottom - 4750 mm	84 pcs. per PU
----------------------------	-------------------	-------------------------	----------------

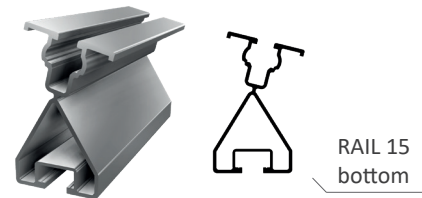


RAIL 7 TOP

Item no. 81106-4750	EAN 4262355112081	RAIL 7 top - 4750 mm	40 pcs. per PU
----------------------------	-------------------	----------------------	----------------

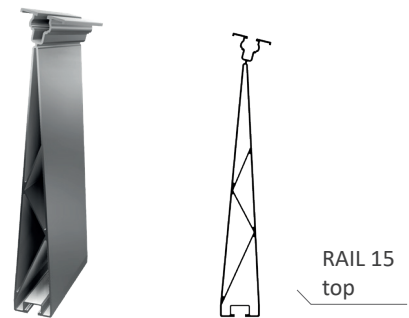
Modul Mounting Profiles RAIL 15

- » Can be combined with the SL Rack roof hooks as well as Trapeze 1 - 5
- » Deep top rail channel accommodates module clamps for frame heights 30 mm - 50 mm
- » Bottom rail channel is optimized to fit all SL Rack rooftop attachments
- » RAIL 15 can lead to yield increases, thanks to an additional inclination of 15°



RAIL 15 BOTTOM

Item no. 81115-4750	EAN 4262355112098	RAIL 15 bottom - 4750 mm	84 pcs. per PU
----------------------------	-------------------	--------------------------	----------------

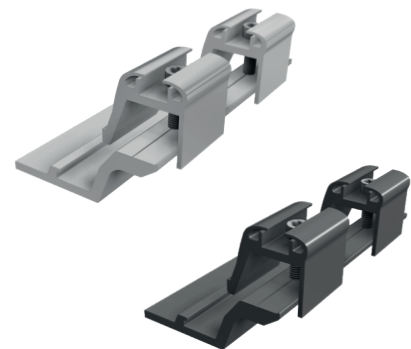


RAIL 15 TOP

Item no. 81114-4750	EAN 4262355112104	RAIL 15 top - 4750 mm	40 pcs. per PU
----------------------------	-------------------	-----------------------	----------------

External Connector RAIL 30 - 60

- » Easy and fast connection of module mounting profiles
- » Convenient installation from the top
- » Only one tool required: Torx TX40
- » Compatible with other profiles on the market
- » Universally applicable for RAIL 30 - 60 with the same static values as a continuous rail
- » Also available in black anodized

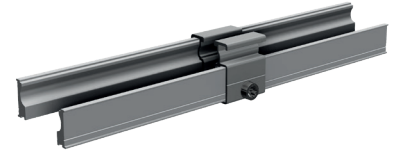


VARIANTS

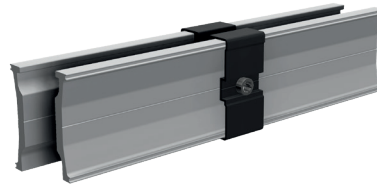
Item no. 81140-05	EAN 4262355110025	External Connector RAIL	25 pcs. per PU
Item no. 86140-05	EAN 4262355110018	External Connector RAIL, black anodized	25 pcs. per PU

Internal Connector RAIL 2.0

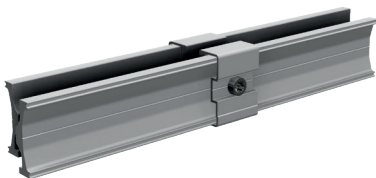
- » Extremely sturdy, for quick and accurate joining of profiles
- » Time-saving, screws pre-installed
- » Only one tool required: Torx TX40
- » For connecting module mounting profiles without possibly interfering external structure



Internal Connector RAIL 2.0
for RAIL 35



Internal Connector RAIL 2.0
for RAIL 60, black anodized



Internal Connector RAIL 2.0
for RAIL 40



Internal Connector RAIL 2.0
for RAIL 120

VARIANTS

Item no. 81135-02	EAN 4262355111442	Internal Connector RAIL 2.0 for RAIL 35	50 pcs. per PU
Item no. 81140-02	EAN 4262355110469	Internal Connector RAIL 2.0 for RAIL 40	50 pcs. per PU
Item no. 86140-02	EAN 4262355110476	Internal Connector RAIL 2.0 for RAIL 40, black anodized	50 pcs. per PU
Item no. 81160-02	EAN 4262355110483	Internal Connector RAIL 2.0 for RAIL 60	40 pcs. per PU
Item no. 86160-02	EAN 4262355110490	Internal Connector RAIL 2.0 for RAIL 60, black anodized	40 pcs. per PU
Item no. 81112-02	EAN 4262355111459	Internal Connector RAIL 2.0 for RAIL 120	15 pcs. per PU

End Cap RAIL

- » Integrated holes for drainage
- » Compatible with popular systems on the market

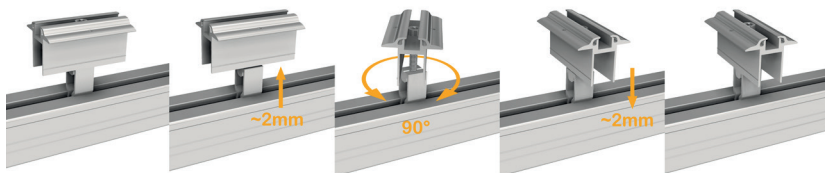


VARIANTS

Item no. 94640-06	EAN 4262355110506	Plastic End Cap RAIL 40, grey	500 pcs. per PU
Item no. 94640-05	EAN 4262355110513	Plastic End Cap RAIL 40, black	500 pcs. per PU
Item no. 94660-06	EAN 4262355110520	Plastic End Cap RAIL 60, grey	250 pcs. per PU
Item no. 94660-05	EAN 4262355110537	Plastic End Cap RAIL 60, black	250 pcs. per PU

Mid Clamps and End Clamps Vario

- » Universal mid and end clamp for frame heights 30 mm - 50 mm
- » Vertical or horizontal mounting by simply lifting and turning the claw 90°
- » Completely pre-assembled; compatible with all RAILS; Optimized warehousing
- » Convenient top-down installation; Only one tool required: Torx TX40
- » 70 mm clamp length ensures a safe installation
- » Mid clamp available with or without grounding pin for potential equalization
- » Also available in black anodized
- » **Compatible with shim for clamps (Item no. 91701-00):**
 - In combination suitable for 28 mm module frame heights



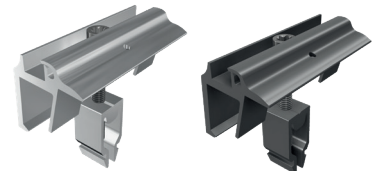
Easy switch between horizontal and vertical: just lift and turn the claw 90°



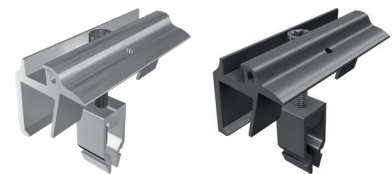
Mid clamp Vario with grounding pin for frame heights 30 mm - 50 mm



Mid clamp Vario without grounding pin for frame heights 30 mm - 50 mm



End clamp Vario with grounding pin for frame heights 30 mm - 50 mm



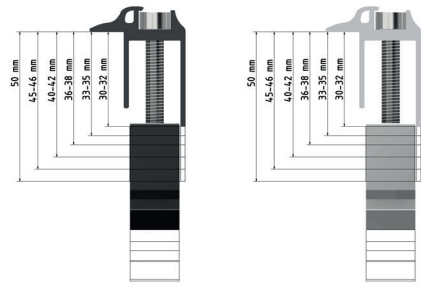
End clamp Vario without grounding pin for frame heights 30 mm - 50 mm

VARIANTS

Item no. 91112-00	EAN 4262355110544	End clamp Vario	100 pcs. per PU
Item no. 96112-00	EAN 4262355110551	End clamp Vario, black anodized	100 pcs. per PU
Item no. 91114-00	EAN 4262355112005	End clamp Vario with grounding	100 pcs. per PU
Item no. 96114-00	EAN 4262355112012	End clamp Vario with grounding, black anodized	100 pcs. per PU
Item no. 91121-01	EAN 4262355110568	Mid clamp Vario with grounding	100 pcs. per PU
Item no. 96141-01	EAN 4262355110575	Mid clamp Vario with grounding, black anodized	100 pcs. per PU
Item no. 91151-01	EAN 4262355110582	Mid clamp Vario	100 pcs. per PU
Item no. 96151-01	EAN 4262355110599	Mid clamp Vario, black anodized	100 pcs. per PU

End Clamp 30-50

- » End clamp for frame heights 30 mm - 50 mm
- » Convenient top-down installation; Only one tool required: Torx TX40
- » 70 mm clamp length ensures a safe installation

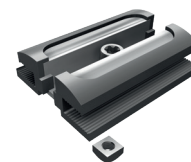


VARIANTEN

Item no. 91113-31	EAN 4262355111510	End clamp 30-32 mm	100 pcs. per PU
Item no. 96113-31	EAN 4262355111527	End clamp 30-32 mm, black anodized	100 pcs. per PU
Item no. 91113-34	EAN 4262355111534	End clamp 33-35 mm	100 pcs. per PU
Item no. 96113-34	EAN 4262355111541	End clamp 33-35 mm, black anodized	100 pcs. per PU
Item no. 91113-37	EAN 4262355111558	End clamp 36-38 mm	100 pcs. per PU
Item no. 96113-37	EAN 4262355111565	End clamp 36-38 mm, black anodized	100 pcs. per PU
Item no. 91113-41	EAN 4262355111572	End clamp 40-42 mm	100 pcs. per PU
Item no. 96113-41	EAN 4262355111589	End clamp 40-42 mm, black anodized	100 pcs. per PU
Item no. 91113-45	EAN 4262355111596	End clamp 45-46 mm	100 pcs. per PU
Item no. 96113-45	EAN 4262355111602	End clamp 45-46 mm, black anodized	100 pcs. per PU
Item no. 91113-50	EAN 4262355111619	End clamp 50 mm	100 pcs. per PU
Item no. 96113-50	EAN 4262355111626	End clamp 50 mm, black anodized	100 pcs. per PU

Laminat Clamps

- » Laminate clamps for frameless thin-film modules with a thickness of 6,8 mm as well as laminate clamps Vario, accommodating various module thicknesses
- » 70 mm clamp length in combination with corrugated EPDM rubber ensure a safe installation of frameless modules
- » Convenient installation from the top
- » Including M8 bolt and square nut
- » Optional: Nut Insert M8 (item no. 94301-00), for easy insertion of square nut anywhere on the RAIL profile



Laminate mid clamp



Laminate end clamp



Laminate mid clamp Vario



Laminate end clamp Vario

VARIANTS

Item no. 91601-68	EAN 4262355110605	Laminate mid clamp, incl. nut and bolt	100 pcs. per PU
Item no. 91601-69	EAN 4262355110612	Laminate end clamp, incl. nut and bolt	100 pcs. per PU
Item no. 91602-68	EAN 4262355111695	Laminate end clamp Vario, incl. nut and bolt	50 pcs. per PU
Item no. 91602-69	EAN 4262355111701	Laminate end clamp Vario, incl. nut and bolt	50 pcs. per PU

Round Seam Clamp **Falz18H**

- » Suitable for round seam roofs \varnothing 18 mm
- » Horizontal, rail-less module installation
- » Add Cross Connector item no. 91202-00 and RAIL profile for a vertical module mount
- » Only one tool required: Torx TX40
- » Material: Aluminum

Falz18H
for round seams
 \varnothing 18 mm, horizontal
Item no. 11401-01

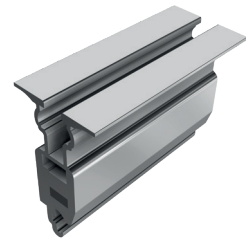


Item no. 11401-01	EAN 4262355110629	Falz18H for round seams \varnothing 18 mm, horizontal	50 pcs. per PU
-------------------	-------------------	---	----------------

Seam Clamp **DFalzPro**

- » Suitable for common double-fold standing seam roofs
- » Horizontal, rail-less module installation
- » Add Cross Connector item no. 91202-00 and RAIL profile for a vertical module mount
- » Titanium zinc sheeting: max. rail length 3-4 m
- » Material: Aluminum

DFalzPro
for standing seams,
horizontal
Item no. 11401-05

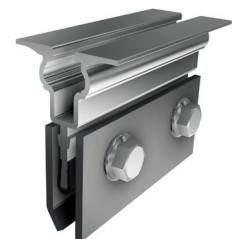


Item no. 11401-05	EAN 4262355110643	DFalzPro for standing seams, horizontal	50 pcs. per PU
-------------------	-------------------	---	----------------

Seam Clamp **DFalzCu**

- » Suitable for common double-fold standing seam roofs made of copper
- » Horizontal, rail-less module installation
- » Add Cross Connector item no. 91202-00 and RAIL profile for a vertical module mount
- » Material: Aluminum (top), stainless steel (bottom)

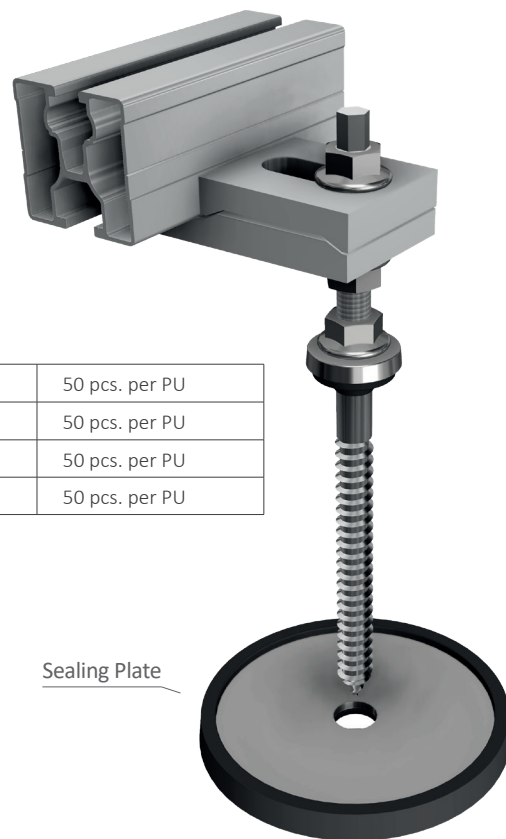
DFalzCu
for copper standing
seams, horizontal
Item no. 11401-03



Item no. 11401-03	EAN 4262355110650	DFalzCu for copper standing seams, horizontal	50 pcs. per PU
-------------------	-------------------	---	----------------

SL Hanger Bolt Set

- » Hanger bolt adaptor for the universal attachment of any RAIL
- » Water sealing through EPDM rubber
- » Pressure dome provides UV-protection to maintain the sealing function
- » For application in wooden structures



VARIANTS

Item no. 23310-200	EAN 4262355110667	SL Hanger Bolt Set M10 x 200 mm	50 pcs. per PU
Item no. 23310-300	EAN 4262355110674	SL Hanger Bolt Set M10 x 300 mm	50 pcs. per PU
Item no. 23312-200	EAN 4262355110681	SL Hanger Bolt Set M12 x 200 mm	50 pcs. per PU
Item no. 23312-300	EAN 4262355110698	SL Hanger Bolt Set M12 x 300 mm	50 pcs. per PU

Sealing Plate

- » Ensures a balanced load distribution
- » Excellent sealing performance for tin roofs
- » For bitumen (shingle) roofs the addition of Bitu-Pad is recommended

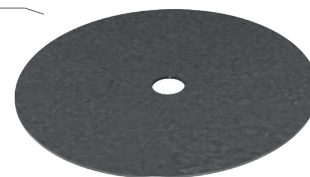
Sealing Plate

Item no. 23201-00	EAN 4262355110704	Sealing Plate	100 pcs. per PU
-------------------	-------------------	---------------	-----------------

Bitu-Pad

- » Provides an additional layer of sealing for bitumen (shingle) roofs
- » Self-adhesive

Bitu-Pad



Item no. 23201-03	EAN 4262355110711	Bitu-Pad	100 pcs. per PU
-------------------	-------------------	----------	-----------------

Hanger Bolt Adaptor

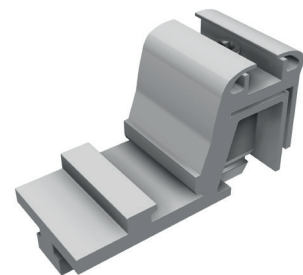
- » Universal mounting of any RAILS or profiles with a bottom channel of 10,5 mm
- » Suitable for hanger bolts M10 and M12



Item no. 11301-12	EAN 4262355111206	Hanger Bolt Adaptor M12	100 pcs. per PU
--------------------------	-------------------	-------------------------	-----------------

Cross Connector

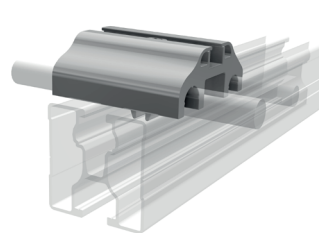
- » Quick and easy 90° cross connection to all RAIL profiles
- » Convenient and time-saving installation from the top
- » Only one tool required: Torx TX40
- » Easy to release and reposition
- » Suitable to connect to a lightning protection system



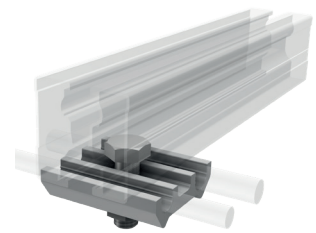
Item no. 91202-00	EAN 4262355110735	Cross Connector	100 pcs. per PU
--------------------------	-------------------	-----------------	-----------------

Lightning Protection Clamp

- » Fits all RAIL profiles
- » Item no. 91518-00: convenient installation from the top, only one tool required: Torx TX40
- » Completely pre-assembled
- » One clamp, two options: round wire \varnothing 8 mm and \varnothing 10 mm
- » Certified to DIN EN 62561
- » Metrological tests need to be performed according to the valid electrotechnical standards



Lightning Protection Clamp top, very low height, suitable for 30 mm module frames



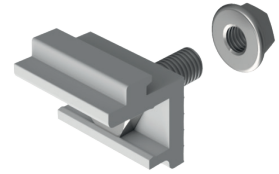
Lightning Protection Clamp bottom, incl. M10 bolt

VARIANTS

Item no. 91518-00	EAN 4262355110742	Lightning Protection Clamp top	100 pcs. per PU
Item no. 91520-00	EAN 4262355110759	Lightning Protection Clamp bottom	100 pcs. per PU

Universal RAIL Adaptor

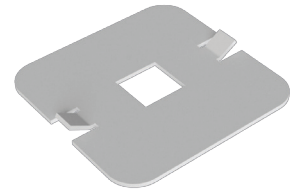
- » Connects RAILS to any common roof hook and roof replacement panel with vertical mounting surface and hole or slot for M10 screw
- » M10 screw is pressed into the Universal RAIL Adaptor
- » No counter-pressure necessary when tightening the nut
- » M10 nut included



Item no. 11110-00	EAN 4262355111435	Universal RAIL Adaptor, incl. nut M10	200 pcs. per PU
--------------------------	-------------------	---------------------------------------	-----------------

Support Plate

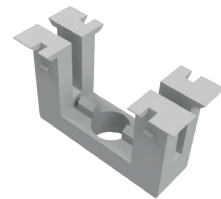
- » Increases the support surface for solar modules
- » Material: Aluminum



Item no. 91701-00	EAN 4262355110766	Support Plate	100 pcs. per PU
-------------------	-------------------	---------------	-----------------

Nut Insert M8

- » Easy insertion of square nut anywhere on the RAIL profile
- » Enables universal attachment of various components



Item no. 94301-00	EAN 4262355110773	Nut Insert M8	100 pcs. per PU
-------------------	-------------------	---------------	-----------------

Square Nut



Item no. 93304-08	EAN 4262355110780	Square Nut M8	200 pcs. per PU
-------------------	-------------------	---------------	-----------------

Hexagon Nut



Item no. 93306-10	EAN 4262355110797	Hexagon Nut M10	100 pcs. per PU
-------------------	-------------------	-----------------	-----------------

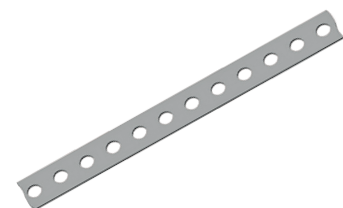
Hexagon Bolt



Item no. 93110-25	EAN 4262355110803	Hexagon Bolt M10 x 25 mm	100 pcs. per PU
-------------------	-------------------	--------------------------	-----------------

Perforated Aluminium Tape

- » Perforated aluminum tape for potential connections, 27 x 1.5 mm, Ø 6,75 mm
- » 50 m roll, hole distance 40 mm



Item no. 91827-50	EAN 4262355110834	Perforated aluminum tape for potential connections - 50 m	10 pcs. per PU
-------------------	-------------------	---	----------------

Cable Clip RAIL

- » Fits any RAIL and popular profile on the market with a 8 mm top channel
- » Suitable for installation underneath panels with a 30 mm frame
- » Quickly installed and easily de-installed for later re-use
- » Effortless repositioning in the rail channel
- » Space for one connector (e.g. MC4) and up to 15 cables with \varnothing 5,4 mm each
- » Forgot a cable? No problem, our cable clip can be re-opened easily
- » Material: UV- and weather-resistant plastic in matt black



Item no. 91402-00	EAN 4262355110827	Cable Clip RAIL, matt black	100 pcs. per PU
-------------------	-------------------	-----------------------------	-----------------

Wood Screw Flange Head



VARIANTS

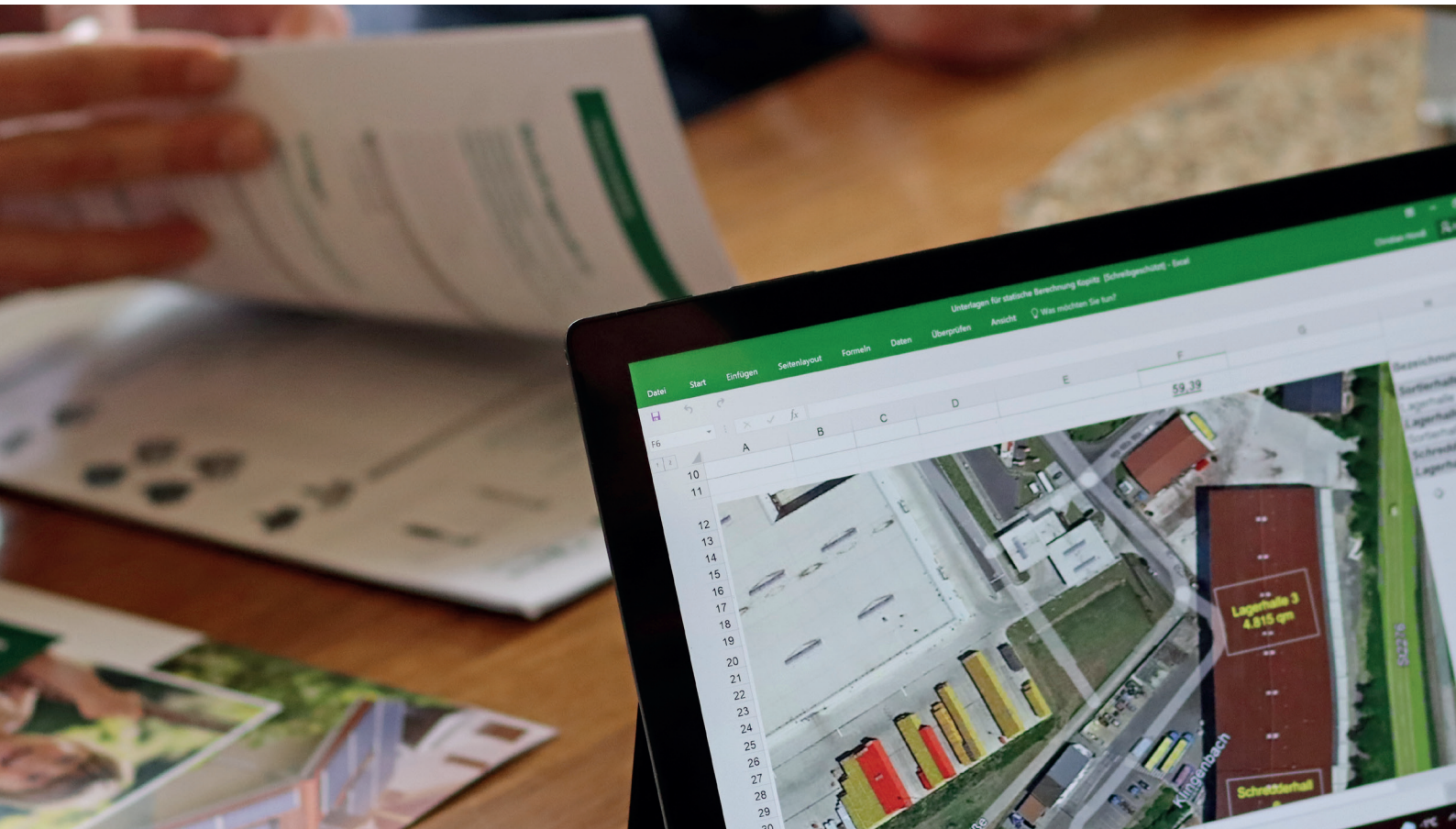
Item no. 92106-08	EAN 4262355110841	Wood screw, flange head 6 x 80 mm TX 30	100 pcs. per PU
Item no. 92106-10	EAN 4262355110858	Wood screw, flange head 6 x 100 mm TX 30	100 pcs. per PU
Item no. 92106-12	EAN 4262355110865	Wood screw, flange head 6 x 120 mm TX 30	100 pcs. per PU
Item no. 92108-08	EAN 4262355110872	Wood screw, flange head 8 x 80 mm TX 40	50 pcs. per PU
Item no. 92108-10	EAN 4262355110896	Wood screw, flange head 8 x 100 mm TX 40	50 pcs. per PU
Item no. 92108-12	EAN 4262355110889	Wood screw, flange head 8 x 120 mm TX 40	50 pcs. per PU
Item no. 92108-28	EAN 4262355110902	Wood screw, flange head 8 x 280 mm TX 40	50 pcs. per PU

Drill Screw with Drill Point 4.8 x 20 mm

- » For internal connector RAIL
- » With drill point



Item no. 93148-20	EAN 4262355110810	Drill screw with drill point 4.8 x 20 for internal connector RAIL	100 pcs. per PU
-------------------	-------------------	---	-----------------



SL Rack
[YouTube](#)



SL Rack
[Website](#)



SL Rack
[Online ordering system](#)



Contact us
for an offer:

SL Rack GmbH
Münchener Straße 1
83527 Haag i. OB
E-Mail: sales@sl-rack.com
Phone: +49 8072 3767-0
www.sl-rack.com