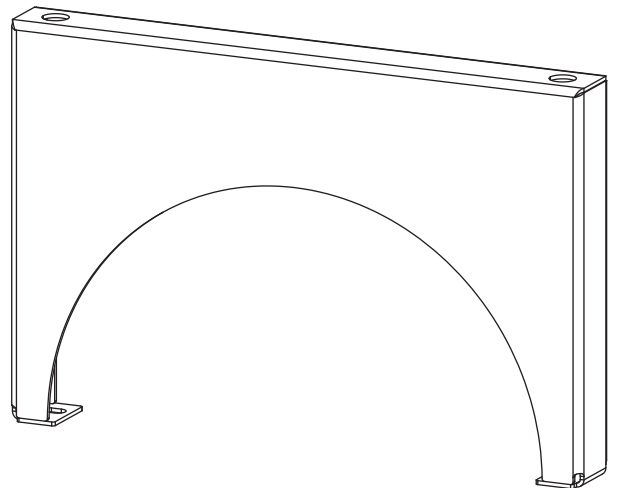




INSTALLATION
INSTALLATIE
INSTALLAZIONE
INSTALACIÓN
INSTALACE
INŠTALÁCIA
INSTALACJA
TELEPÍTÉS
INSTALACIJA

Standkonsole | T-support | Console-socle | Staande console | Console verticale | Consola de pie | Stacionární konzola |
Stojanová konzola | Konsola stojąca | Lábazat | Stojalo

» SK 2



1. General information

This document is intended for contractors.

Note
Read these instructions carefully before using the appliance and retain them for future reference. Pass on the instructions to a new user if required.

1.1 Relevant documents

Heat pump operating and installation instructions

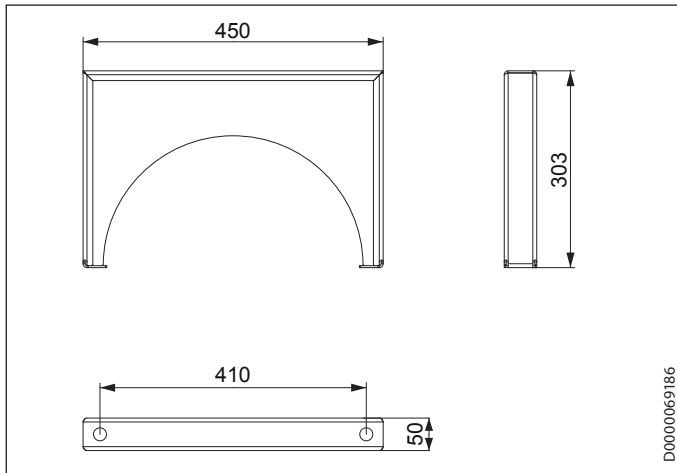
Note
Please see appliance operating and installation instructions for information on the "Guarantee" and "Environment and recycling".

1.2 Units of measurement

Note
All measurements are given in mm unless stated otherwise.

2. Appliance description

Dimensions

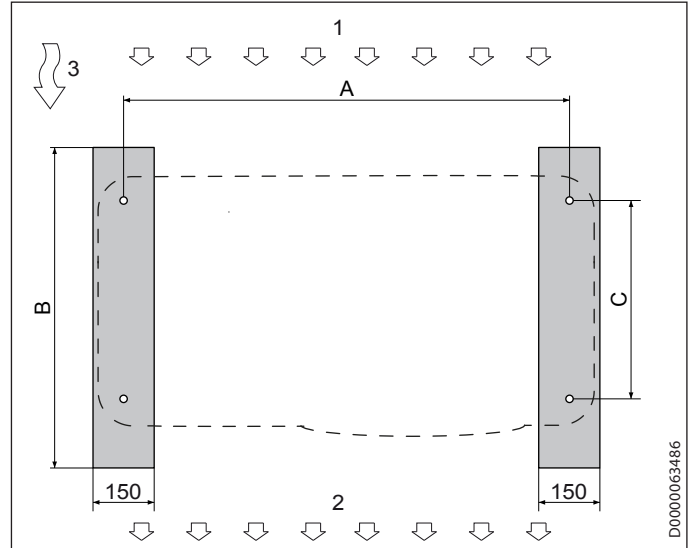


2.1 Standard delivery

- 4 screws M8x30
- 4 washers

3. Preparations

3.1 Foundation

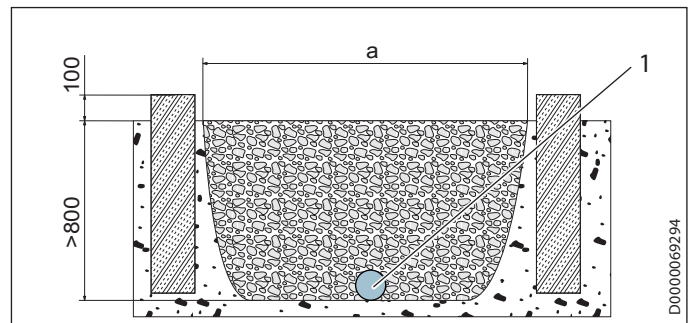


- 1 Air intake side
- 2 Air discharge side
- 3 Main wind direction

Heat pump	A	B	C
3 CS Plus, 3.5 ACS, 07 ACS classic	850	500	408
4 CS Plus, 4.5 ACS, 09 ACS classic	850	500	408
6 CS Plus, 6.5 ACS, 13 ACS classic	980	500	408
8 CS Plus, 8.5 ACS, 17 ACS classic	980	500	408

► Erect a strip foundation at the heat pump installation site.

3.2 Gravel bed



- 1 Drainage pipe

Heat pump	a
3 CS Plus, 3.5 ACS, 07 ACS classic	700
4 CS Plus, 4.5 ACS, 09 ACS classic	700
6 CS Plus, 6.5 ACS, 13 ACS classic	830
8 CS Plus, 8.5 ACS, 17 ACS classic	830

► Lay a drainage pipe under the appliance to drain moisture away from the building.

- ▶ Create a sufficiently sized gravel bed within the strip foundation.

4. Installation



Material losses

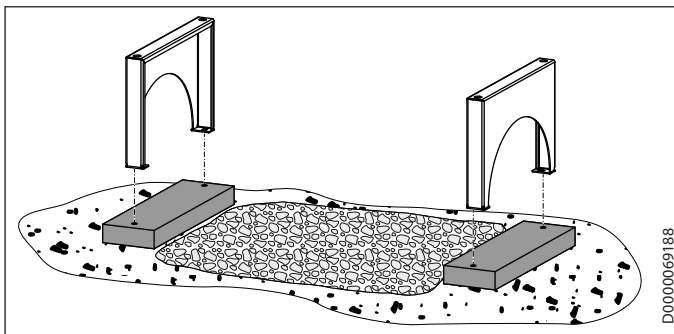
Note the maximum load bearing capacity of the support (see chapter "Specification / Data table").



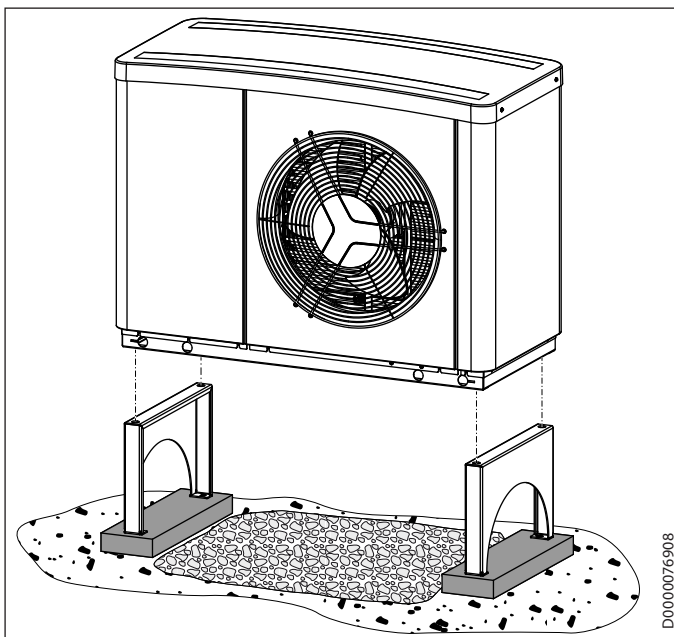
Material losses

The T-support may bend if the heat pump is subject to any lateral load.

- ▶ Do not exert any pressure on the sides of the heat pump.



- ▶ Mark out the holes on the strip foundation.
- ▶ Drill the holes.
- ▶ Anchor the T-support to the strip foundation with suitable fixing materials. The fixing materials are not included in the standard delivery.



- ▶ Secure the T-support to the underside of the heat pump using the screws and washers provided.

5. Specification

5.1 Data table

		SK 2
		236693
Height	mm	303
Width	mm	450
Weight	kg	6.5
Weight loading	kg	91