

# SolarEdge

## Home Hub Inverter - Single Phase

### Quick Installation Guide

Models SE10000H-RWSKBF57

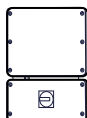
**WARNING!** To avoid danger, read the **HANDLING AND SAFETY INSTRUCTIONS** provided with this product, or refer to: [https://www.solaredge.com/sites/default/files/se\\_handling\\_and\\_safety\\_instructions.pdf](https://www.solaredge.com/sites/default/files/se_handling_and_safety_instructions.pdf)



Before installation, read the datasheet provided with this product, or refer to: <https://knowledge-center.solaredge.com/sites/kc/files/se-home-hub-single-phase-inverter-datasheet-im.pdf>



## What's in the Package



Inverter



Wall mount bracket

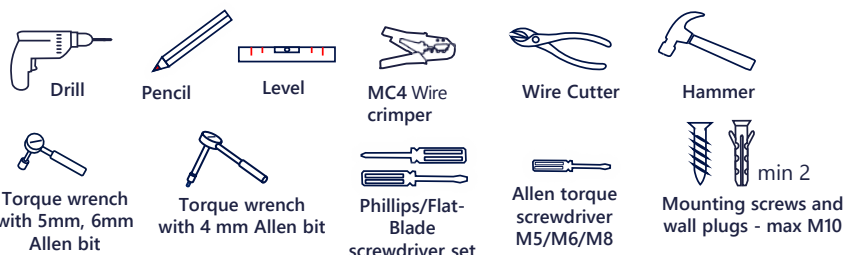


SolarEdge Wi-Fi Antenna

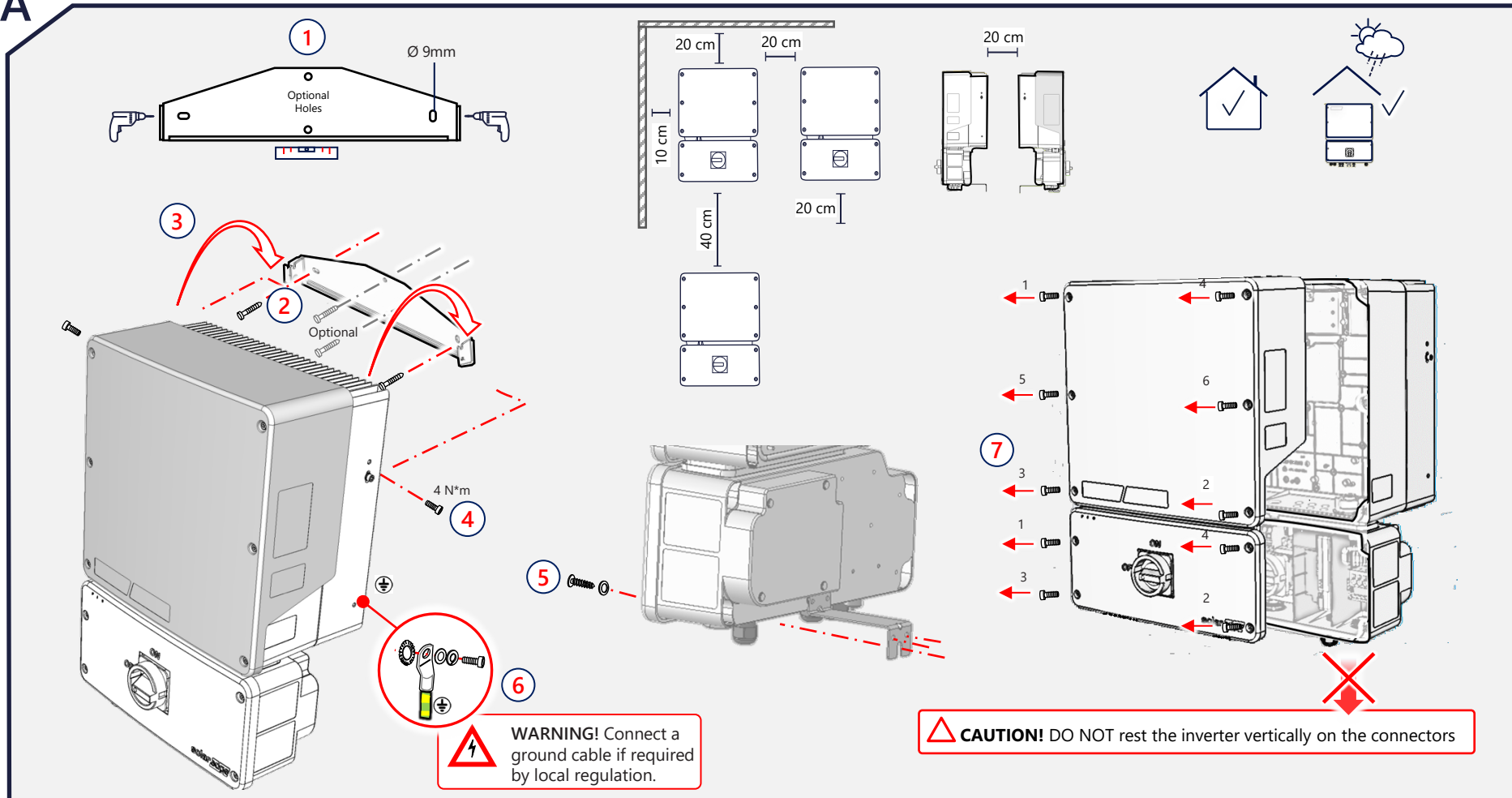
**WARNING!** Denotes a hazard. It calls attention to a procedure that, if not correctly performed or adhered to, could result in injury or loss of life. Do not proceed beyond a warning note until the indicated conditions are fully understood and met.

**CAUTION!** Denotes a hazard. It calls attention to a procedure that, if not correctly performed or adhered to, could result in damage or destruction of the product. Do not proceed beyond a caution sign until the indicated conditions are fully understood and met.

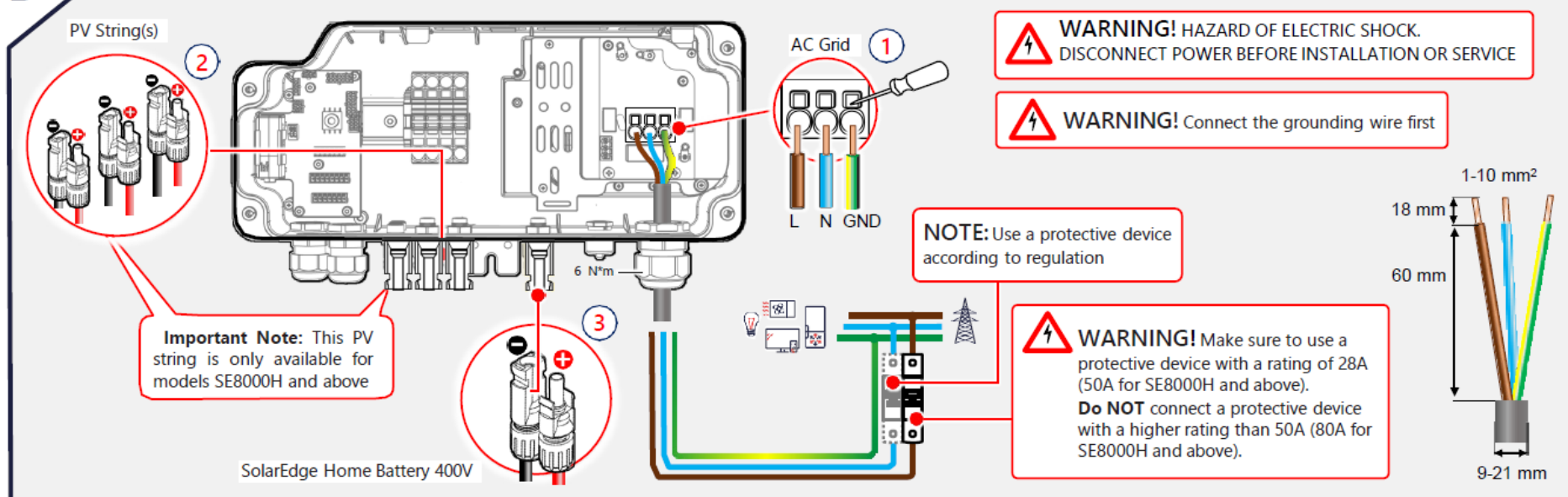
## Tools and Materials



## A Mounting



## B Wiring

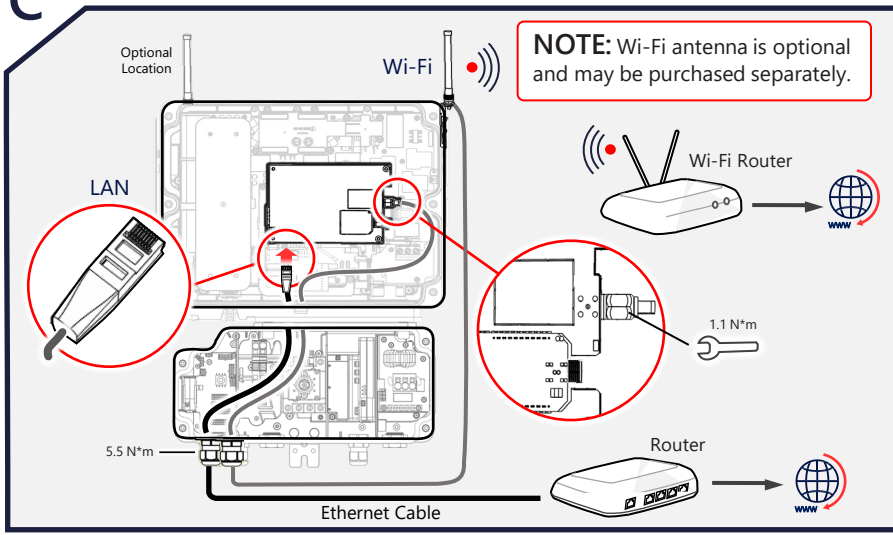


**WARNING!** Before installing or operating SolarEdge Home Battery 400V, read the safety and handling instructions provided with the battery.

**IMPORTANT!** The connection to units and accessories shown below is for reference only. For detailed information, refer to the specific product guide.

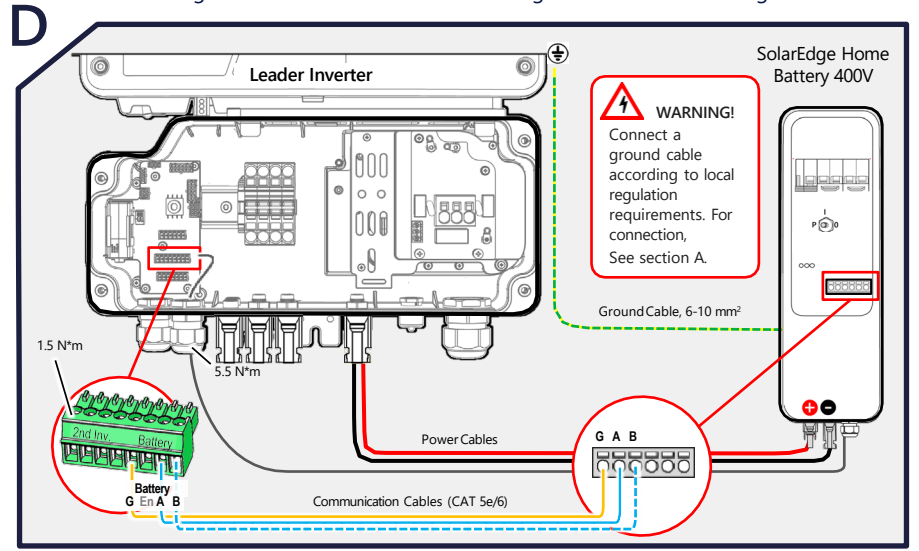
## Connecting to LAN or Wi-Fi

In Leader/Follower configuration, LAN or Wi-Fi MUST connect to the Leader inverter



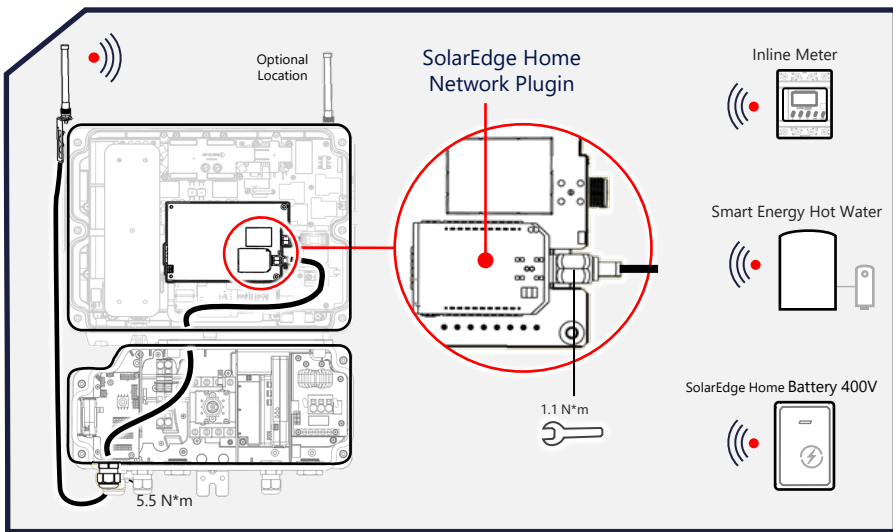
## Connecting to SolarEdge Home Battery 400V

Optionally, connect battery communication wirelessly using SolarEdge Home Network. **IMPORTANT!** If wired communication is used, remove the SolarEdge Home Network plugin before making wire connections. Reinstall the Plug-in after commissioning the inverter.

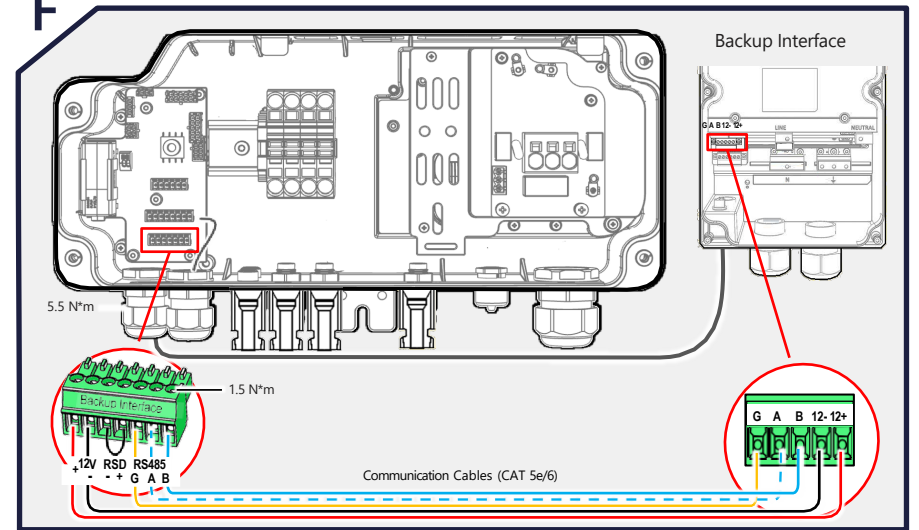


## Connecting to SolarEdge Home Network

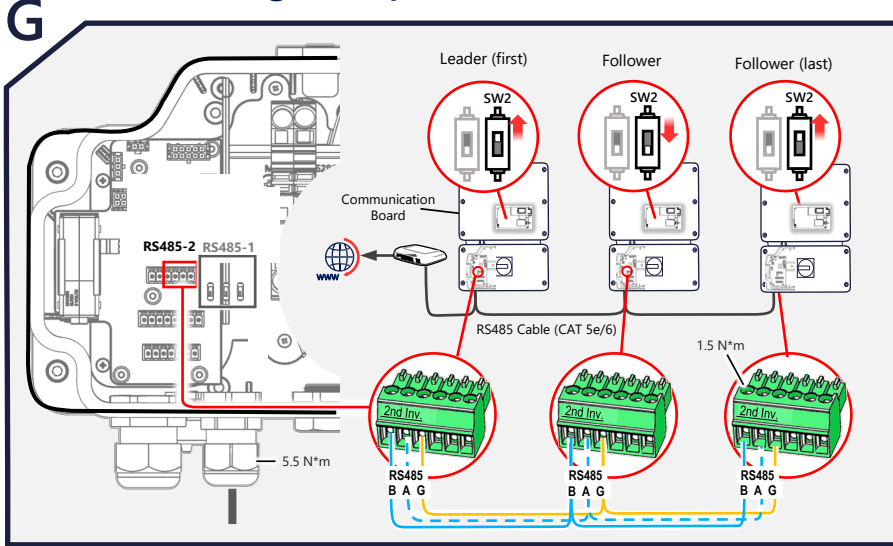
SolarEdge home network plugin and antenna are pre-installed in this product.



## Connecting to Backup Interface

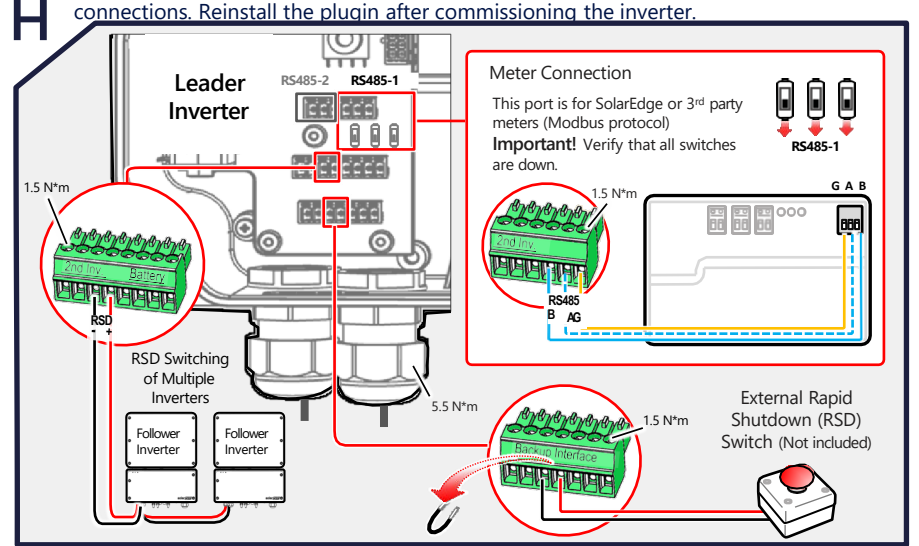


## Connecting Multiple Inverters

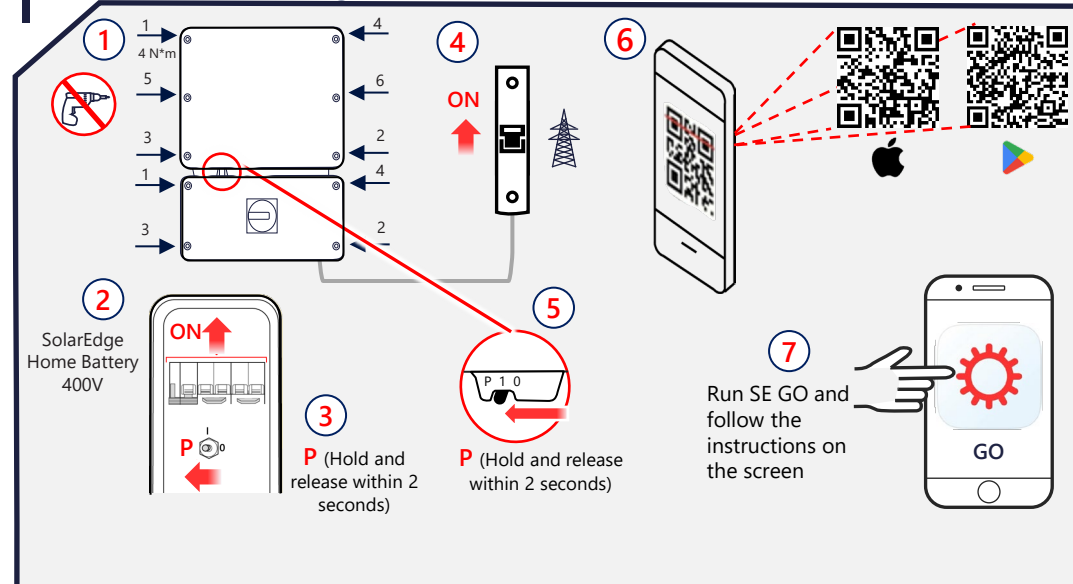


## Connecting Meter and Rapid Shutdown (RSD) Switch

**IMPORTANT!** Remove the SolarEdge Home Network Plugin before making wire connections. Reinstall the plugin after commissioning the inverter.



## Commissioning the Inverter



## More information

For detailed information regarding LED indications, refer to: <https://www.solaredge.com/leds>

- Red: fault
- Green: power production,
- Blinking Green: Grid connection ok
- Blue: communication ok

For the Home Hub Inverter Single Phase Commissioning video, click here or scan the QR code:

For the Home Hub Inverter Single Phase Commissioning Application Note, click here or scan the QR code:

