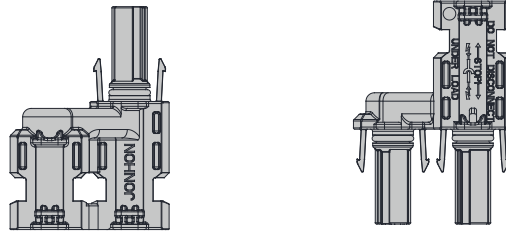


# Battery Parallel Connection Using Y Connectors

## 1. Application of Y connectors

Y connectors can be used to connect two SBH or SBR batteries in parallel. To connect more than two SBH or SBR batteries in parallel, please use the combiner box instead. For more information about the use of the combiner box, see SJR050-04 or SJR-04 Installation Guide at [support.sungrowpower.com](http://support.sungrowpower.com).

## 2. Y Connector



Y Connector (+)

Y Connector (-)

Y connectors are compatible with SBH100-400 and SBR096-256 batteries and SH3.0-6.0RS, SH8.0/10RS, SH5.0-10RT, SH5.0-10RT-20, and SH5-25T inverters.

### NOTICE

If SBH/SBR batteries are used with SH3.0-6.0RS or SH5.0-10RT/-20 inverters, the Y connectors cannot be directly connected to the BAT+/BAT- terminal on the inverter.

- For the SBH battery, use the connectors included in the battery accessories to make an extension cable.
- For the SBR battery, use the connectors from the inverter accessories to make an extension cable.

## 3. Diagram of Wiring Using Y Connectors

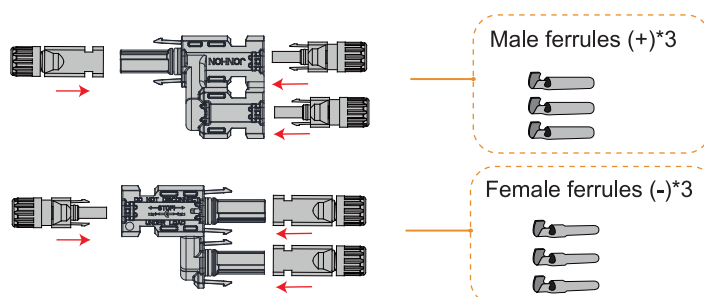
The two batteries connected in parallel must have the same number of PACKs. To ensure the normal operation of the system, update the inverter's firmware to a proper version, as listed below.

- SH3.0-6.0RS: SUNSTONE-H\_B000.V000.P044-20240507 or higher
- SH5.0-10RT/-20: SAPPHIRE-H\_B001.V000.P007-20240223 or higher

The sizes of male and female ferrules used for the battery's power cable are as follows.

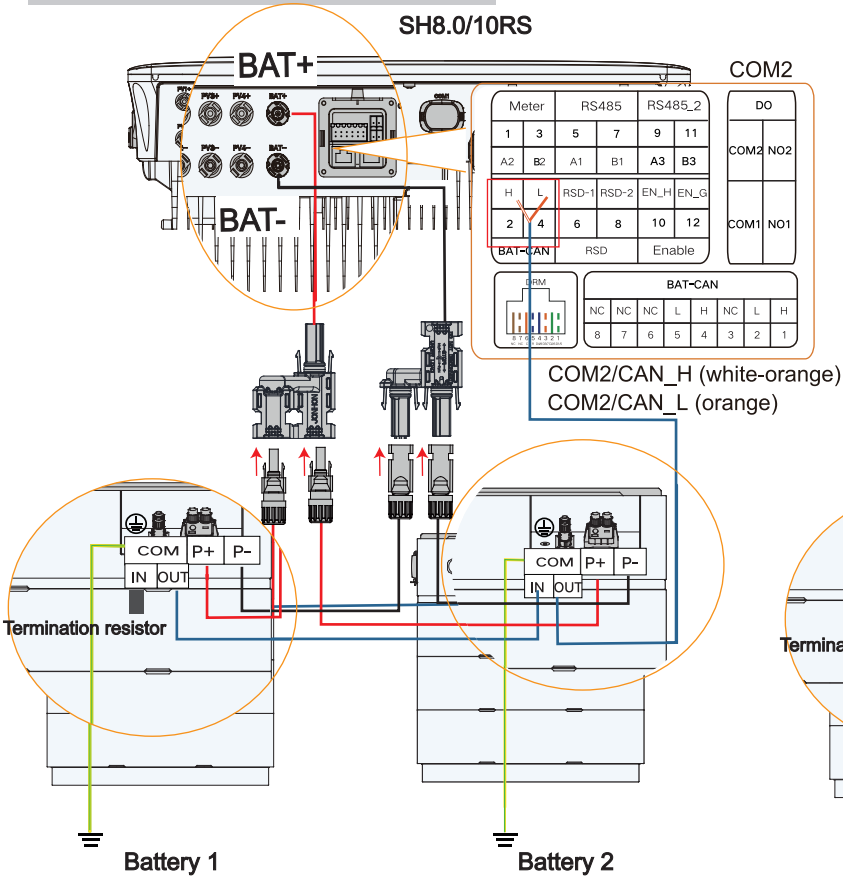
Battery	SBH	SBR
Ferrule size (mm <sup>2</sup> )	10	6

The components below are included in the delivery of Y connector kit.

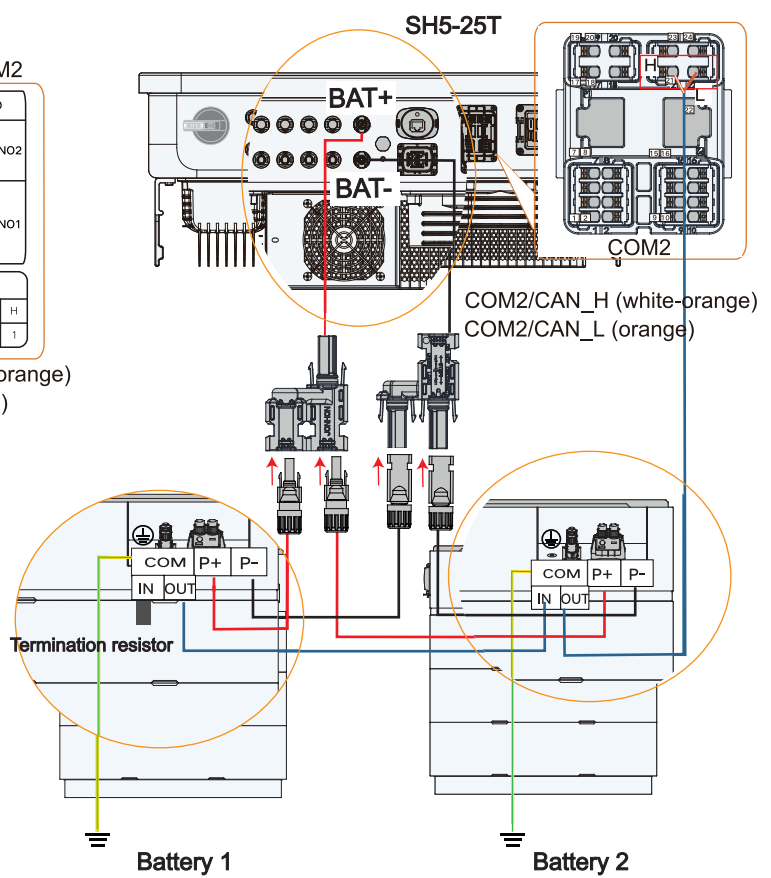


Used with SBH Batteries

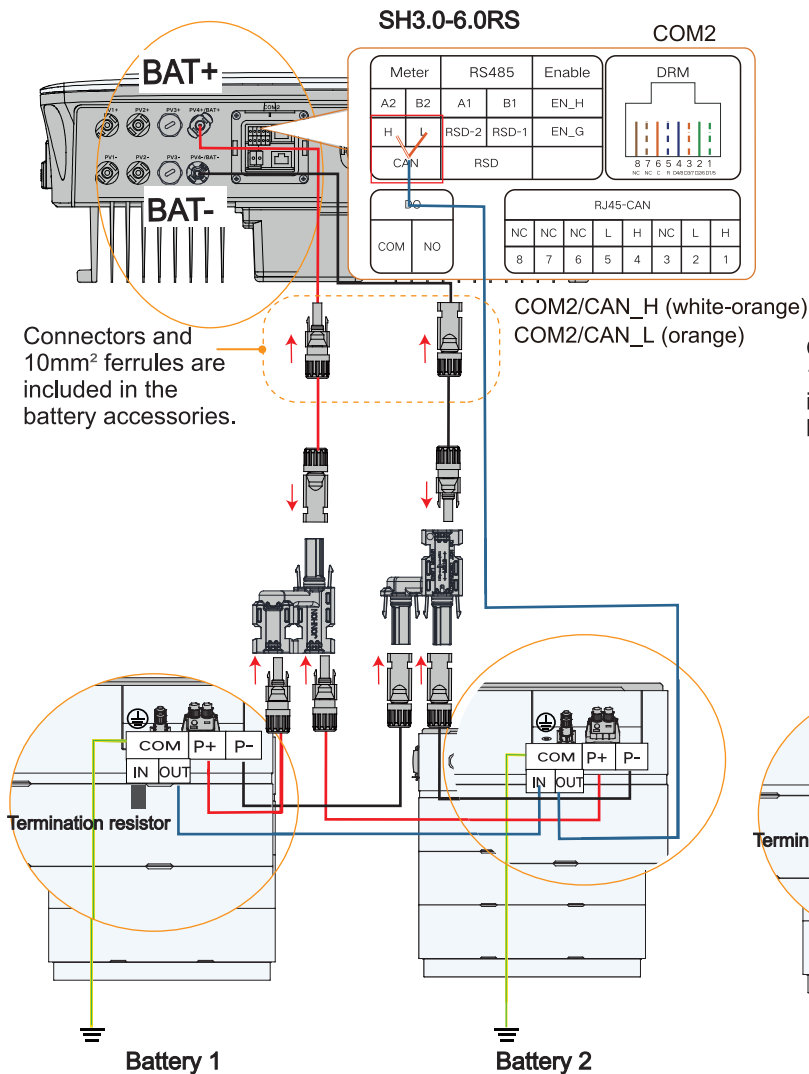
SH8.0/10RS



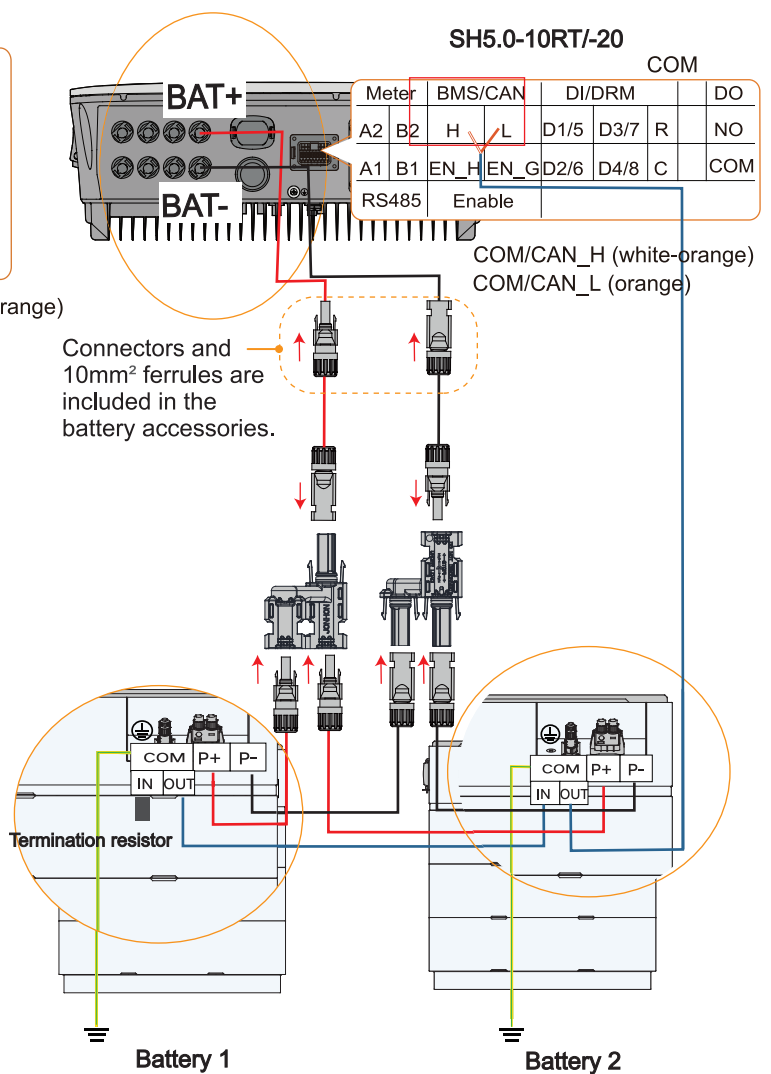
SH5-25T



SH3.0-6.0RS

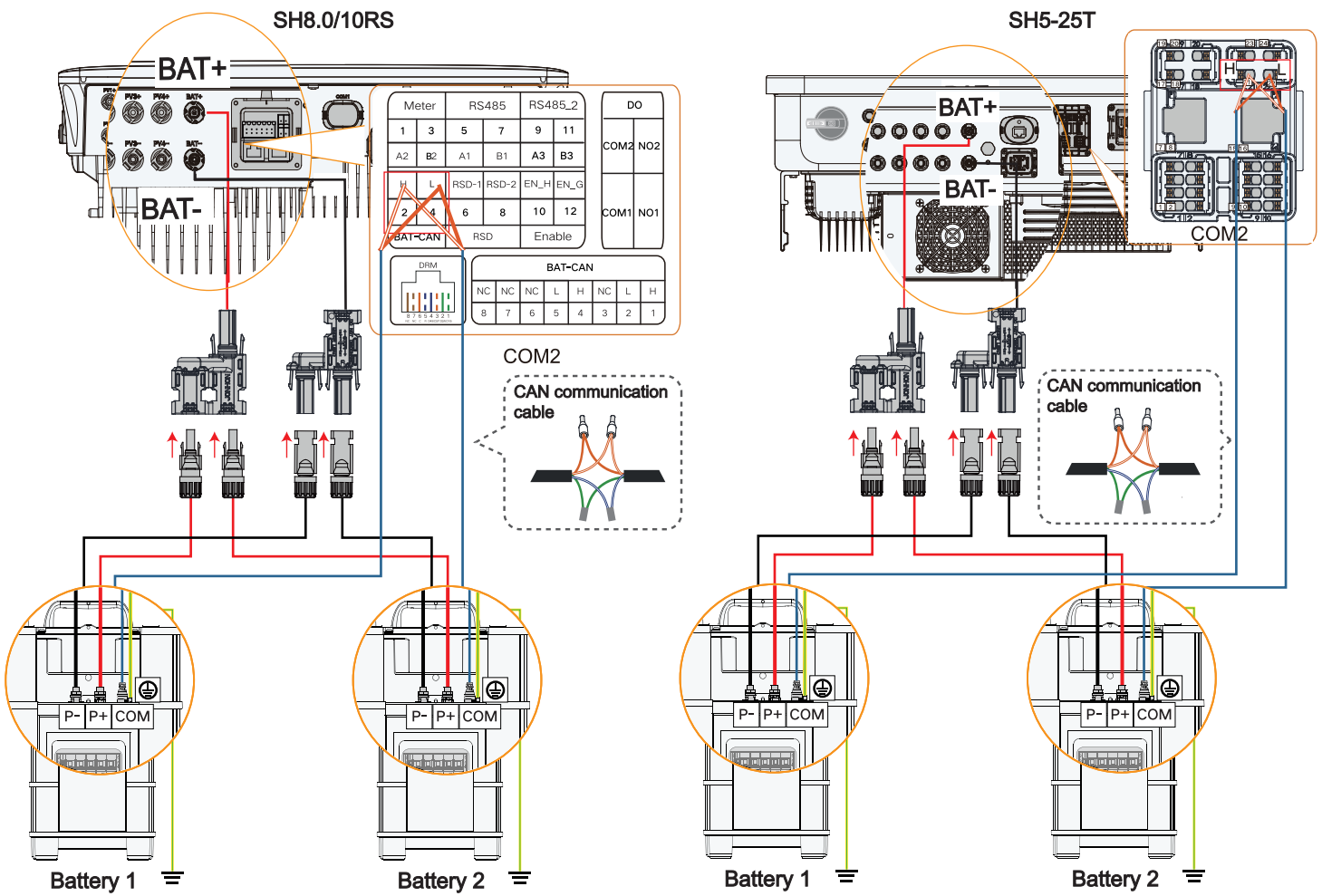
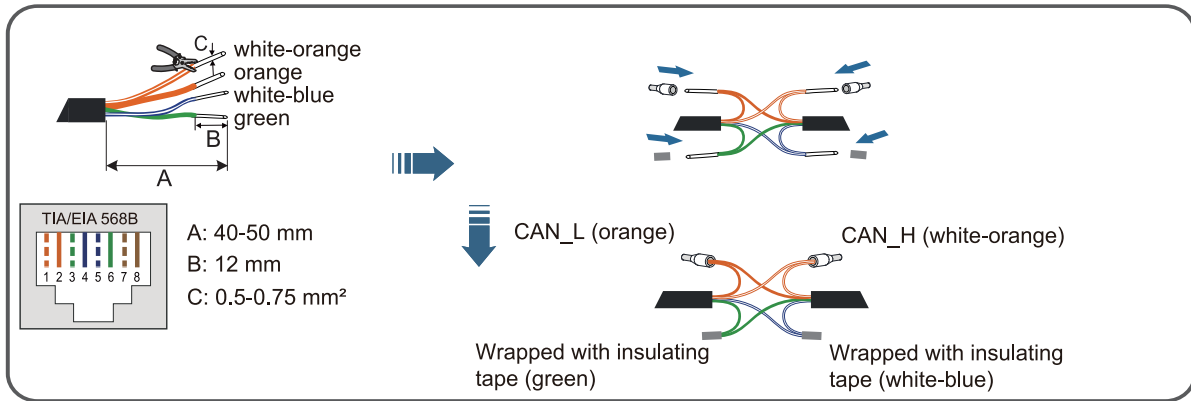


SH5.0-10RT/-20

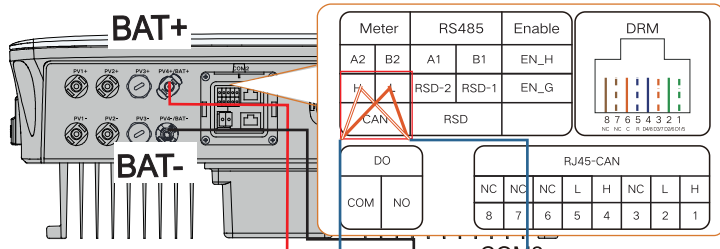


— Battery power cable (+)   
 — Battery power cable (-)   
 — CAN communication wiring   
 — Grounding wiring

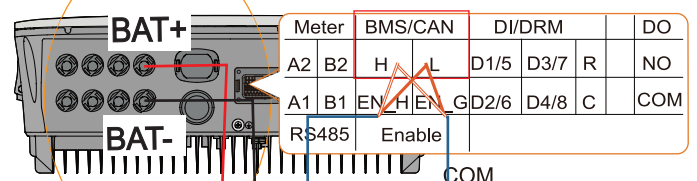
Communication cable



### SH3.0-6.0RS

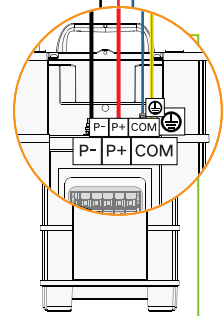
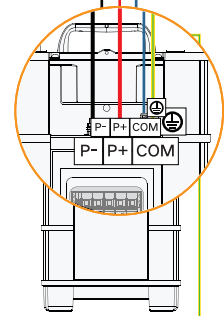
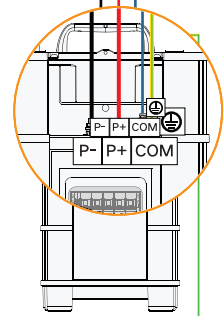
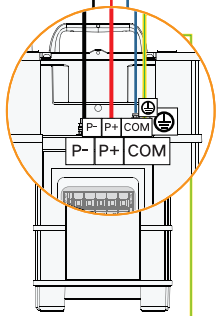
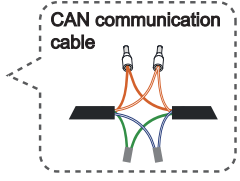
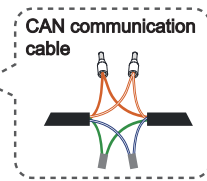


### SH5.0-10RT/-20



Connectors and 6mm<sup>2</sup> ferrules are included in the inverter accessories.

Connectors and 6mm<sup>2</sup> ferrules are included in the inverter accessories.



Battery 1

Battery 2

Battery 1

Battery 2

- Battery power cable (+)
- Battery power cable (-)
- CAN communication wiring
- Grounding



More information in the QR code or at <http://support.sungrowpower.com>