

ROSN Datasheet

1P+N (Switched), 1 Module Type A Miniature RCBO



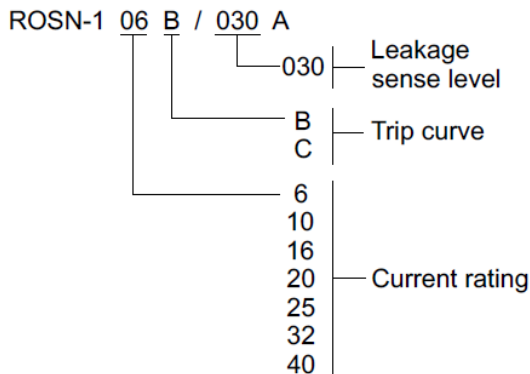
CONSTRUCTION AND FEATURES:

- Miniature RCBO with switched neutral
- Reduced installation and testing times
- Ergonomic handle for easy operation
- Status indicator
- Fire resistant plastic parts, with high impact resistance
- IP20
- DIN rail mounting
- Can be locked in on or off position (with additional locking product)

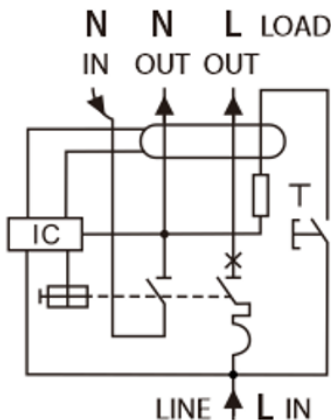
TECHNICAL DATA:

- Electronic type
- Residual current characteristic: A
- No of poles: 1P and N (both poles switched)
- Trip curves: B and C
- Rated voltage: 240V AC, 50/60Hz
- Short circuit capacity: 6kA
- Rated current (A): 6, 10, 16, 20, 25, 32, 40
- Rated residual operating current, $I_{\Delta n}$ (mA): 10, 30, 100, 300
- Conforms to: BS EN 61009-1, BS EN 61009-2-2
- Energy limiting class: 3

PART NUMBER SELECTOR:



WIRING DIAGRAM:



DIMENSIONAL SKETCH:

