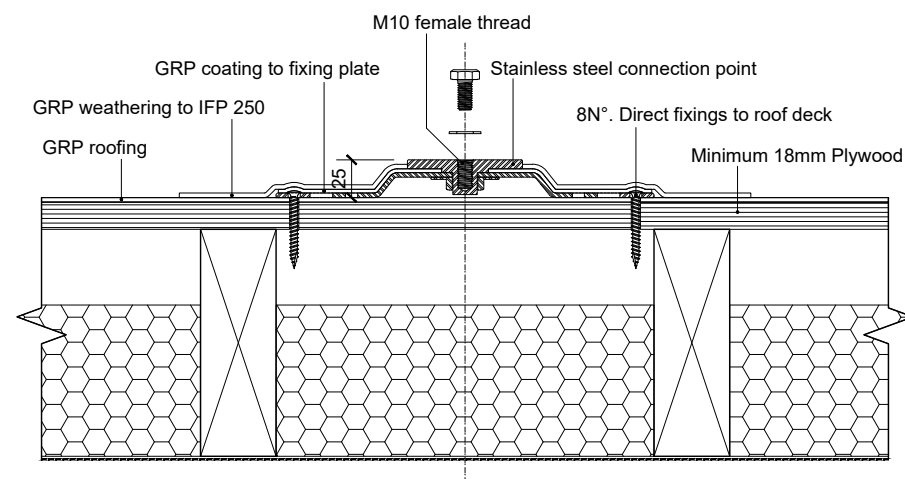
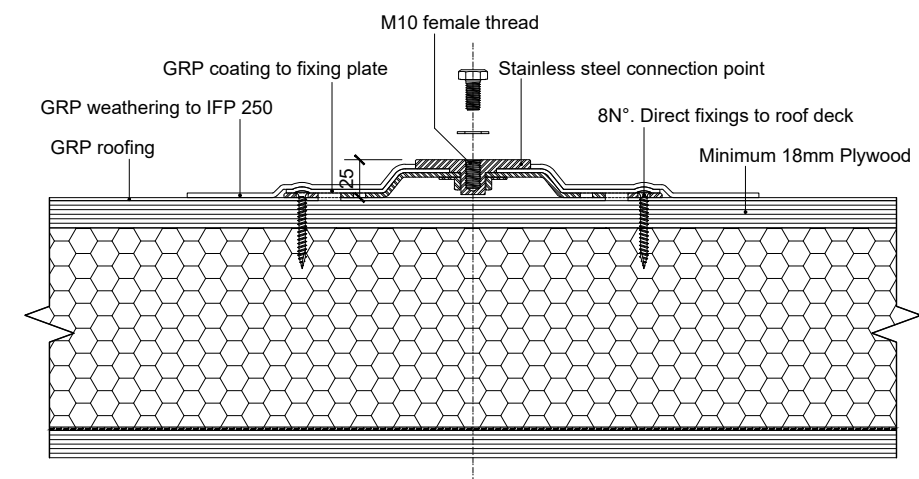


ROOFTRAK IFP-250 FIXING PLATE DIMENSIONS - PLAN VIEW



ROOFTRAK IFP-250 ON COLD ROOF - SECTION VIEW



ROOFTRAK IFP-250 ON WARM ROOF - SECTION VIEW

The IFP is protected by European Patent 2855794 and US Patent 9637917

integrated fixing point ROOFTRAK™

ROOFTRAK IFP-250

The ROOFTRAK IFP-250 is a unique patent protected fixing point which provides a structural connection to the building substrate whilst maintaining the integrity of the weathering membrane.

Uses

The IFP-250 is designed for use on cold, warm, SIPS & fully supported membrane roof constructions and can be used for applications where a connection to the building structure is required. This would include uses such as solar PV, solar thermal, rainscreen façade, cladding, roof plant supports and roof mounted signage. The IFP can be used on flay, pitched & vertical applications

Not for Use with

Balustrade or any use which has a non-axial load applied

Compatibility

The ROOFTRAK IFP can be used with virtually all membrane type roof covering including single ply membranes, EPDM rubber coverings, SBS & APP bituminous membranes, liquid and GRP roof systems.

Materials

The ROOFTRAK IFP comprises of 3 main components;

- Pressed 2mm steel plate with polyester powder coating
- Membrane flange to suit field membrane system
- 304 grade stainless steel connection point with 1no. M10 x 20mm female thread

These components are always supplied as a factory assembled product. Tampering or adjustment to the factory finished unit will invalidate the warranty.

Dimensions

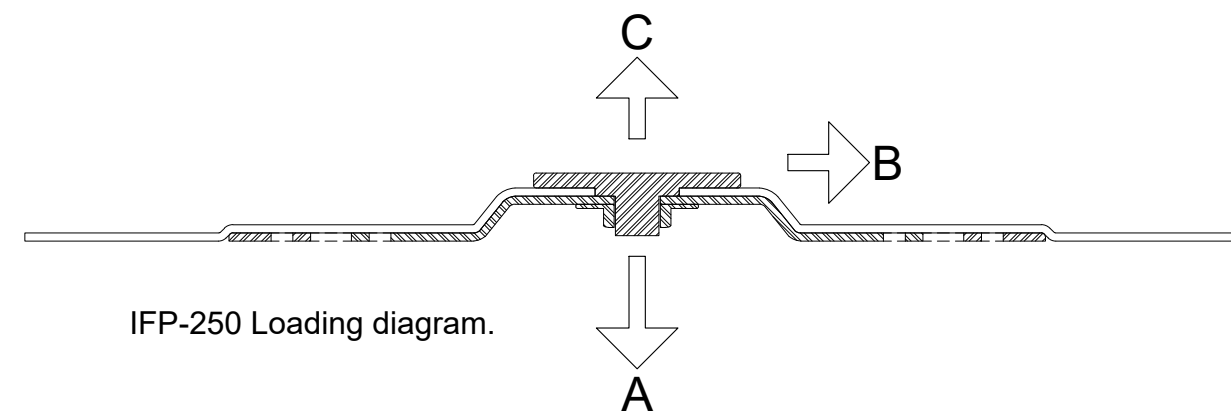
Fixing plate	250mm x 250mm x 2mm
Fixing holes	8N°. 8mm Ø for direct fixing method, 8N°. 14mm Ø for thermally broken fixing methods
Anchor points	1 no M10 x 20mm female blind threaded hole
OA height	25mm
Membrane size required	
• single ply & EPDM	450mm x 450mm
• APP & SBS bitumen	550mm x 550mm

Weight

Approx 1.6 kg

Fixings

The ROOFTRAK IFP is fixed to the substrate through the roofing membrane using appropriate fixings.



IFP-250 Loading diagram.

Load ratings.

IFP-250	Substrate Material	Fixing Method	Fixing Specification	Compressive load rating 'A'	Shear loading 'B'	Tensile load rating 'C'
Cold roof or fully supported membrane	18mm Plywood to EN363	8 x Direct	SF-RS-5.8 - min. length 40mm	5kN	2.5kN	5.0kN
Cold roof or fully supported membrane	18mm OSB/3 to EN363	8 x Direct	SF-RS-5.8 - min. length 40mm	5kN	2.5kN	4.2kN
Cold roof or fully supported membrane	New concrete substrate C25/30 min. 100mm depth	8 x Direct	SF-RS-6.1 - min. length 35mm	5kN	2.5kN	5.0kN
Cold roof or fully supported membrane	Softwood C16 or CLT min. depth 50mm	8 x Direct	SF-RS-6.1 - min. embedment 35mm	5kN	2.5kN	5.0kN
Warm Roof	Max. 200mm Rigid PIR insulation on 18mm plywood to EN363 or 18mm OSB3 to EN300	8 x Thermally broken	ST-T-50 to suit insulation depth + SF-RS-5.8 - min. 12mm to underside of substrate board	Assume min. static load rating 30kPa insulation - 1.8kN	Assumes rigid PIR insulation 2.5kN	4.1kN
Warm Roof	Max. 200mm Rigid PIR insulation on new C25/30 concrete substrate min. 100mm depth	8 x Thermally broken	ST-T-50 to suit insulation depth + SF-RS-6.1 - 35mm embedment	Assume min. static load rating 30kPa insulation - 1.8kN	Assumes rigid PIR insulation 2.5kN	4.1kN
Warm Roof	Max. 200mm Rigid PIR insulation on min. 0.7mm steel trapizoidal substrate	8 x Thermally broken	ST-T-50 to suit insulation depth + SF-RS-5.8 - min. 15mm to underside of steel	Assume min. static load rating 30kPa insulation - 1.8kN	Assumes rigid PIR insulation 2.5kN	4.1kN
Warm Roof	Max. 200mm Rigid PIR insulation on min. 0.7mm steel trapizoidal substrate	6 x Thermally broken	ST-T-50 to suit insulation depth + SF-RS-5.8 - min. 15mm to underside of steel	Assume min. static load rating 30kPa insulation - 1.8kN	Assumes rigid PIR insulation 1.8kN	3.1kN
Kingspan KS1000TD Topdeck panel	Rigid insulation on 0.5mm steel inner profiled skin	8 x Thermally broken	ST-T-50 to suit insulation depth + SF-RS-5.8 - min. 15mm to underside of steel	Assume min. static load rating 30kPa insulation - 1.8kN - Subject to roof structure TBC	N/A	1.9kN

Notes.

1. Load values calculated on specified fixing and allow a safety factor of on combined characteristic pullout.
2. Axial loads only - not suitable for non-axial applications.
3. It is the puchasers or specifiers responsibility to check that the insulation will bear any compressive load without compression. Seek insulation manufacturers advice if in doubt.
4. Shear values for warm roof applications assume 200mm insulation & using 8N°. thermally broken fixings.
5. Compressive load values for mineral wool insulation to be checked on a per project basis.
6. On-site testing may be required for existing concrete roof structures.

The IFP is protected by European Patent 2855794 and US Patent 9637917