



S6-460 AGM

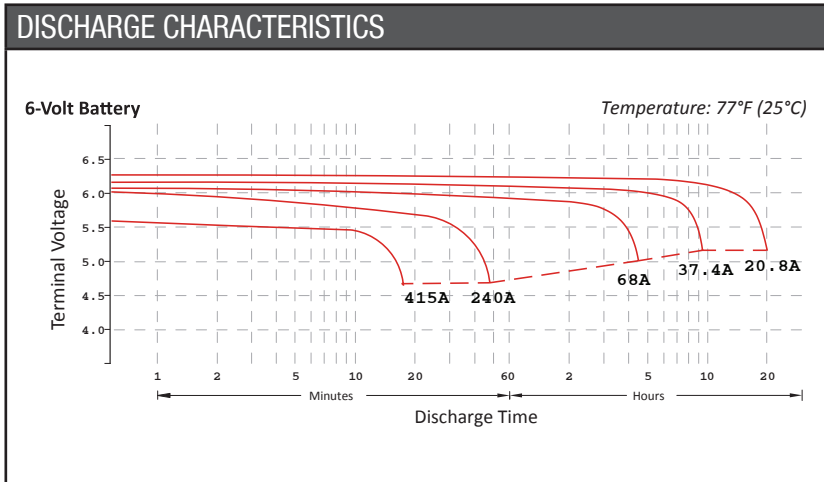
Rolls 6V 415Ah (C20) Deep Cycle AGM Battery



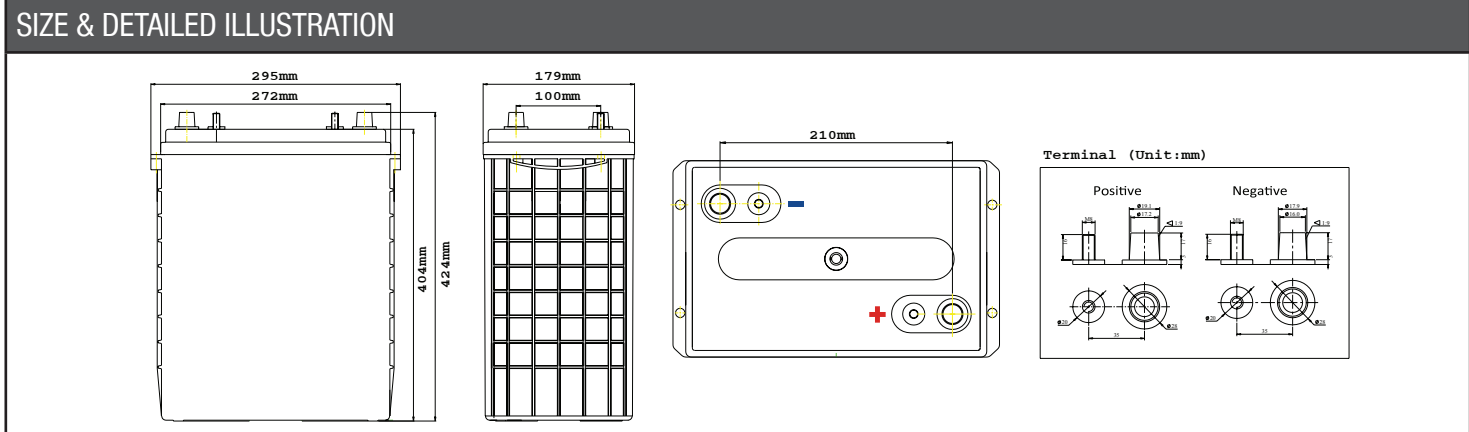
CONSTANT CURRENT DISCHARGE (AMPS)									
CUT OFF VOLTAGE V/CELL	30M	45M	1HR	2HR	3HR	5HR	8HR	10HR	20HR
10.5V	386.6	285	231.5	123.4	93.9	65.9	45.1	37.4	20.8

RESERVE CAPACITY		CCA	
@25AMPS	@75 AMPS	CCA@0°C	CCA@-18°C
885 Mins.	229 Mins.	2180	1850

SPECIFICATIONS		
Nominal Voltage		6 Volt
Rated Capacity (20 hour rate)		415Ah
Dimensions	Height	424mm
	Length	295mm
	Width	179mm
Weight		56 Kg



CHARACTERISTICS		
Capacity 77°F (25°C)	100 Hour Rate	415Ah
	20 Hour Rate	374Ah
	10 Hour Rate	340 Ah
Internal Resistance	Full charged Battery 77°F (25°C)	1.6mΩ
Capacity Affected by Temperature (20hr rate)	104°F (40°C)	102%
	77°F (25°C)	100%
	32°F (0°C)	85%
Self Discharge 77°F (25°C)	5°F (-15°C)	65%
	Capacity after 3 month storage	91%
	Capacity after 6 month storage	82%
Max Discharge 77°F (25°C)	Capacity after 12 month storage	64%
		2000A (5s)
Terminal	Standard	DT
Charging (Constant Voltage)	Cycle	7.25 to 7.45V DC/unit Average at 25°C
	Float	6.8 to 6.9V DC/unit Average at 25°C



This information is generally descriptive only and is not intended to make or imply and representation, guarantee or warranty with respect to any cells and batteries. Call and battery design/specifications are subject to modifications without notice. For further information contact Rolls Battery Europe.

