



S12-290 AGM

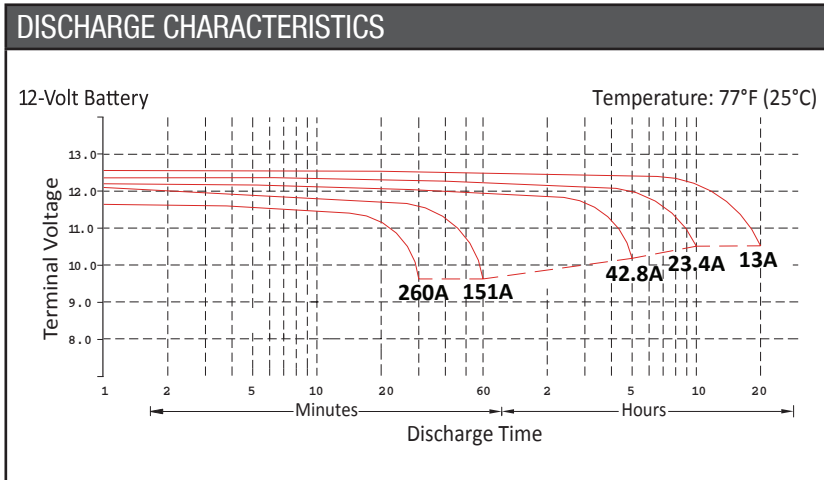
Rolls 12V 260Ah (C20) Deep Cycle AGM Battery



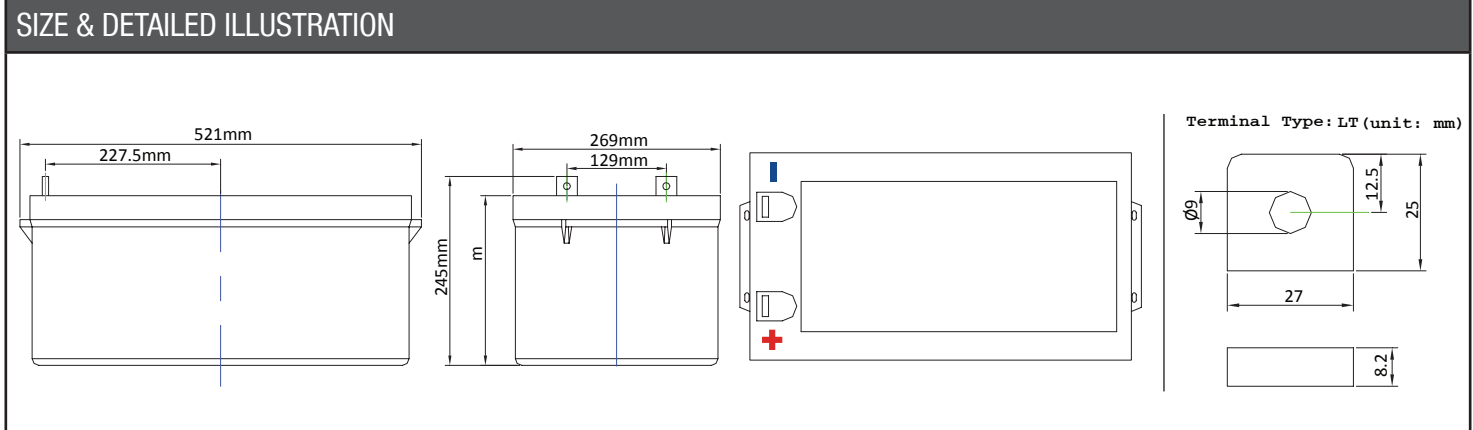
CONSTANT CURRENT DISCHARGE (AMPS)									
CUT OFF VOLTAGE V/CELL	30M	45M	1HR	2HR	3HR	5HR	8HR	10HR	20HR
1.75V	233	172	147.8	78.3	58.9	41.3	28.3	23.40	13.00

RESERVE CAPACITY		CCA	
@25AMPS	@75 AMPS	CCA@0°C	CCA@-18°C
530 Mins.	130 Mins.	1830	1525

SPECIFICATIONS		
Nominal Voltage		12 Volt
Rated Capacity (20 hour rate)		260Ah
Dimensions	Height	245mm
	Length	521mm
	Width	269mm
Weight		78 Kg



CHARACTERISTICS		
Capacity 77°F (25°C)	100 Hour Rate	290Ah
	20 Hour Rate	260Ah
	10 Hour Rate	234Ah
Internal Resistance	Full charged Battery 77°F (25°C)	1.8mΩ
Capacity Affected by Temperature (20hr rate)	104°F (40°C)	102%
	77°F (25°C)	100%
	32°F (0°C)	85%
Self Discharge 77°F (25°C)	5°F (-15°C)	65%
	Capacity after 3 month storage	91%
	Capacity after 6 month storage	82%
Max Discharge 77°F (25°C)	Capacity after 12 month storage	64%
		2600A (5s)
Terminal	Standard	LT
Charging (Constant Voltage)	Cycle	14.5 to 14.9V DC/unit Average at 25°C
	Float	13.6 to 13.8V DC/unit Average at 25°C



This information is generally descriptive only and is not intended to make or imply and representation, guarantee or warranty with respect to any cells and batteries. Call and battery design/specifications are subject to modifications without notice. For further information contact Rolls Battery Europe.

