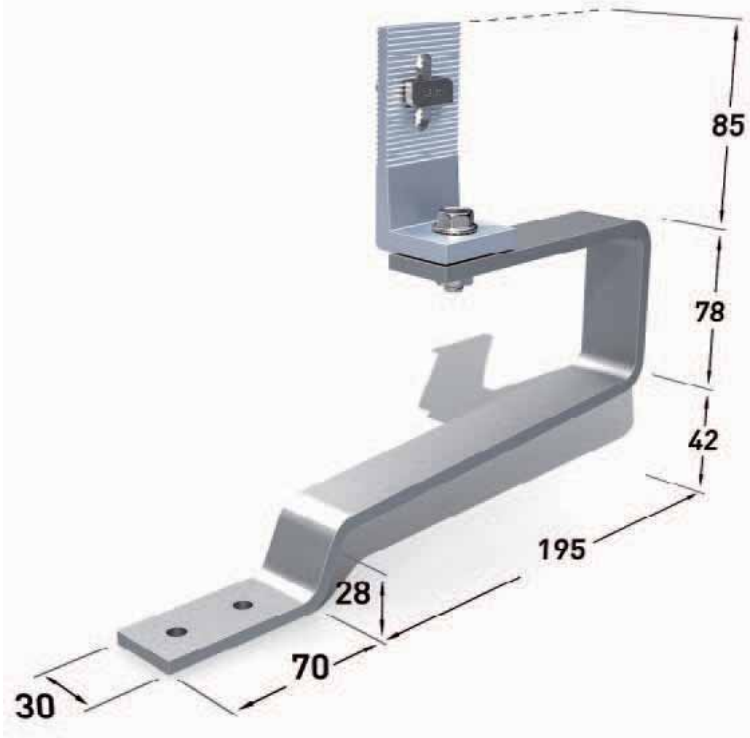


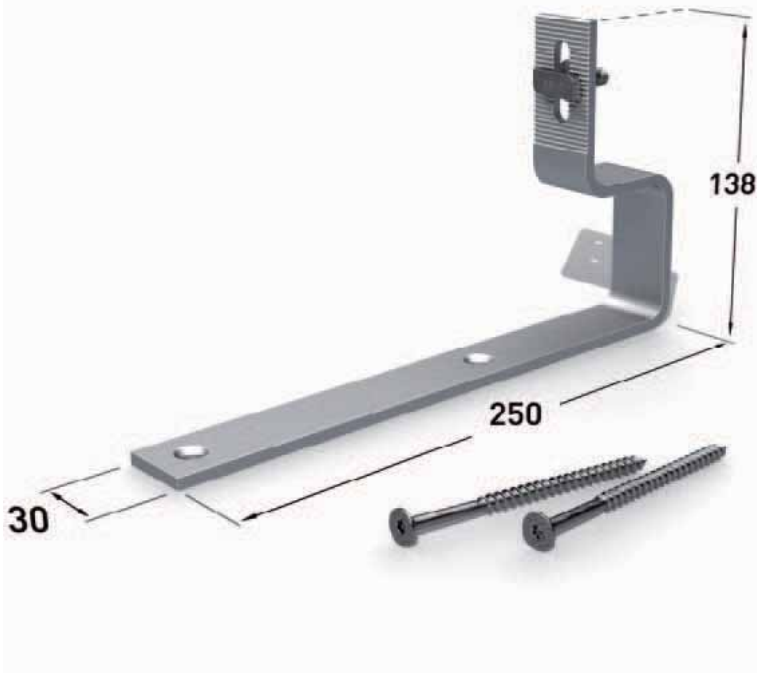


Roof hook for plain tiles 90° (without wood screw)



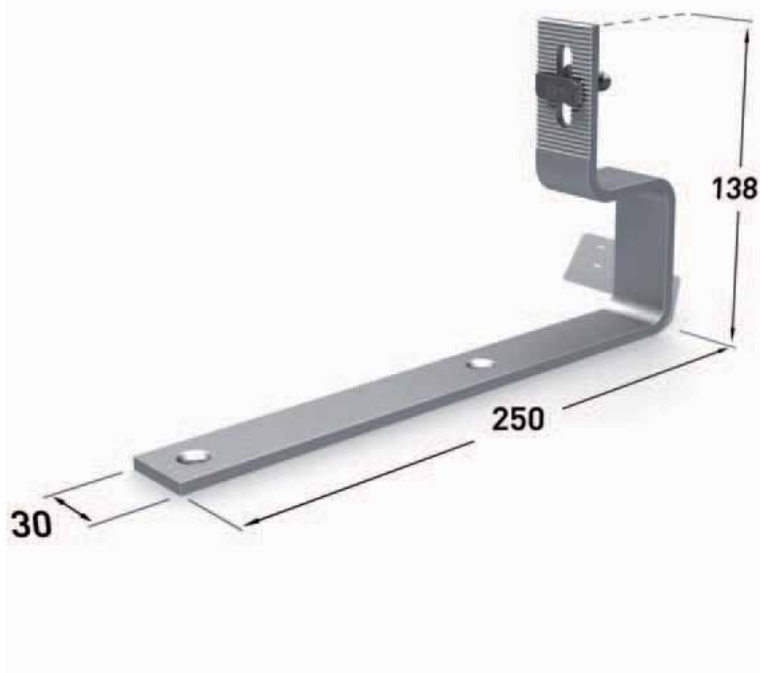
Article number	420154
Specifications	
Material:	stainless steel 1.4301
Dimensions:	265 x 30 x 120 mm
Weight:	0,804 kg
Colour:	blank
Space for adjustment vertical:	24,5 mm
Application Features	
Roof hook is pre-assembled	
Frictional connection due to serration	
90° twist for vertical mouting	
Components	
1 x Roof hook for plain tiles 90°	
1 x Hammerhead bolt M8 x 25	
2 x Hexagon Nut w. serration DIN6923 - M8 A2-70	
1 x Hexag. screw DIN6921 M8x25 with FL & SZ	
1 x Bracket M8	
Compatibility	
400081, 400011, 400094, 430009, 490018, 900012, 900138, 900145, 900163	

Roof hook for slate tiles



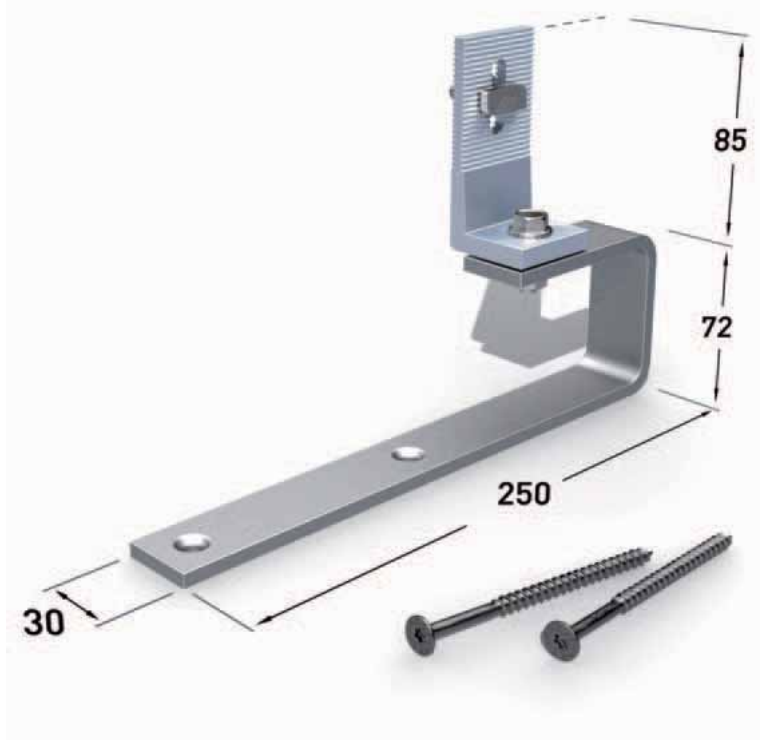
Article number	920005
Specifications	
Material:	stainless steel 1.4301
Dimensions:	250 x 30 x 138 mm
Weight:	0,510 kg
Colour:	blank
Space for adjustment vertical:	24,5 mm
Max. load: pressure 490 N, tension 490 N, shear 280 N	
Application Features	
Roof hook is pre-assembled	
Frictional connection due to serration	
Components	
1 x Roof hook for slate tiles	
1 x Hammerhead bolt M8 x 25	
1 x Hexagon Nut w. serration DIN6923 - M8 A2-70	
2 x Wood screw slated tiles countersunk 6 x 80	
Compatibility	
400081, 400011, 400094, 430009, 490018, 900138, 900163	

Roof hook for slate tiles (without wood screw)



Article number	420155
Specifications	
Material: stainless steel 1.4301	
Dimensions: 250 x 30 x 138 mm	
Weight: 0,510 kg	
Colour: blank	
Space for adjustment vertical: 24,5 mm	
Max. load: pressure 490 N, tension 490 N, shear 280 N	
Application Features	
Roof hook is pre-assembled	
Frictional connection due to serration	
Components	
1 x Roof hook for slate tiles	
1 x Hammerhead bolt M8 x 25	
1 x Hexagon Nut w. serration DIN6923 - M8 A2-70	
Compatibility	
900013, 400081, 400011, 400094, 430009, 490018, 900138, 900163,	

Roof hook for slate tiles 90°



Article number	920117
Specifications	
Material: stainless steel 1.4301	
Dimensions: 250 x 30 x 72 mm	
Weight: 0,686 kg	
Colour: blank	
Application Features	
Roof hook is pre-assembled	
90° twist for vertical mouting	
Components	
1 x Roof hook for slate tiles 90°	
1 x Hammerhead bolt M8 x 25	
2 x Hexagon Nut w. serration DIN6923 - M8 A2-70	
2 x Wood screw slated tiles countersunk 6 x 80	
1 x Hexag. screw DIN6921 M8x25 with FL & SZ	
1 x Bracket M8	
Compatibility	
400081, 400011, 400094, 430009, 490018, 900138, 900163	