

WCC CABINET

P/N:WCC

P/N:WCC



STANDARD

Comply with ANSI/EIA RS-310-D, DIN41491; PART1, IEC297-2, DIN41494; PART7, GB/T3047.2-92.
Compatible with metric, ETSI and 19' international standard.

MATERIALS

Cool rolled steel
Thickness: Vertical rail:1.5mm
Else in 1.2mm
Tempered smoky-gray glass with thickness of 5mm.

FEATURES

- Exquisite design with precise dimension and craftsmanship.
- International popular smoky-gray glass front door.
- Easily be mounted on wall, or placed on floor after installed castor or feet.
- Loading capacity: 60KG.
- Top and bottom wiring channel could be closed.
- Removable front door and side panel, easily installing and maintaining
- Surface finish: Degreased, acid cleaned, phosphoric, water cleaned, electro-static powder coating, meet ROHS standard.
- Optional color: black/gray
- Optional accessories.

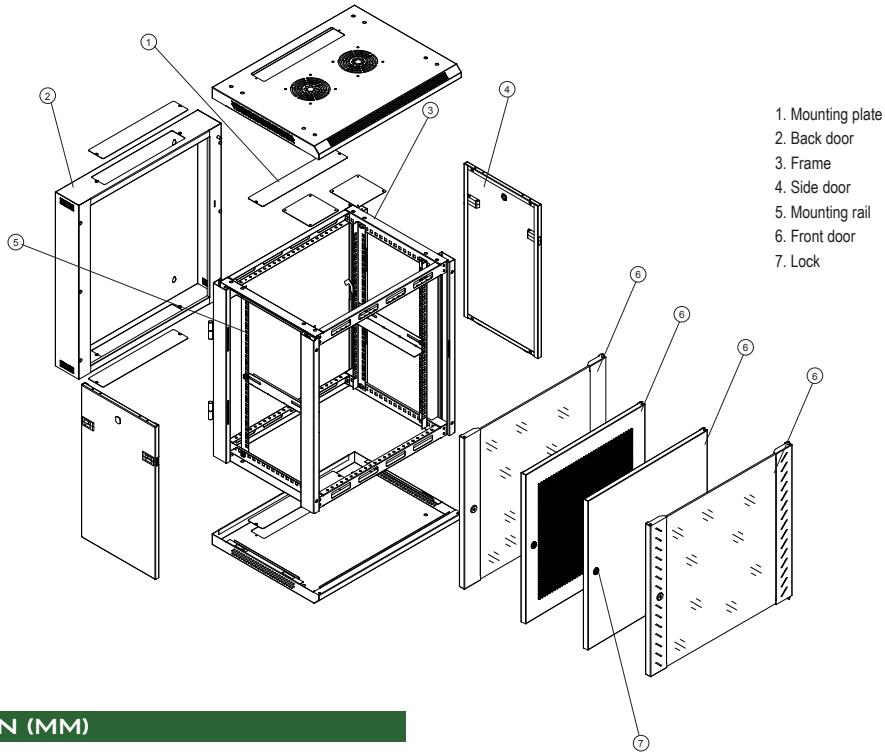
APPLICATION

Widely used in network system, educational system, broadcasting system and telecommunication system. Suitable for placing server computer and precision electronic equipments.

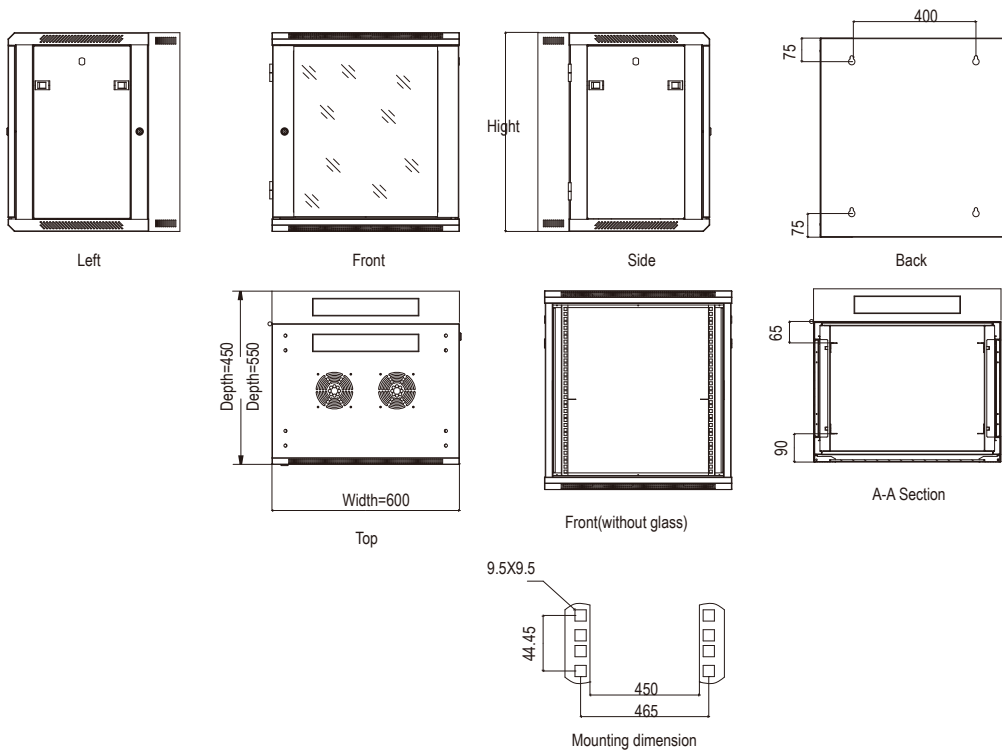
WCC CABINET

P/N:WCC

STRUCTURAL



DIMENSION (MM)



WCC CABINET

P/N:WCC

STANDARD ACCESSORIES

S/N	Specification	Qty	Unit	Material	surface finish	Remark
1	Frame	4	Pcs	1.2mm cold rolled steel	Powder coated	---
2	Front door	1	Pcs	1.2mm cold rolled steel	Powder coated	B type door
3	Side door	2	Pcs	1.2mm cold rolled steel	Powder coated	With lock
4	Back door	1	Pcs	---	Powder coated	---
5	Lock	1	Pcs	1.5mm cold rolled steel	---	---
6	Mounting rail	4	Pcs	1.2mm cold rolled steel	Powder coated	---
7	Mounting plate	1	Pcs	1.2mm cold rolled steel	Powder coated	---
8	Cable inlet cap	2	Pcs	---	Powder coated	---
9	Screws &nuts	10	sets	---	---	---
10	wrench	1	Pcs	---	---	---

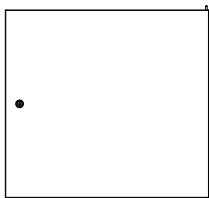
ORDER INFORMATION

Part No	Capacity/U	Width/mm	Depth/mm	Height/mm	Carton measurement			Volume/CBM
					Width/m	Depth/m	Height/m	
WCC06-655-*☆	6U	600	550	368	0.67	0.62	0.43	0.18
WCC09-655-*☆	9U	600	550	501	0.67	0.62	0.56	0.23
WCC12-655-*☆	12U	600	550	635	0.67	0.62	0.70	0.29
WCC15-655-*☆	15U	600	550	789	0.67	0.62	0.83	0.34
WCC18-655-*☆	18U	600	550	901	0.67	0.62	0.96	0.40

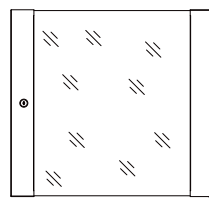
RAMARKS

* = Front door

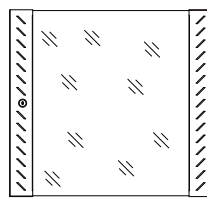
DOORS



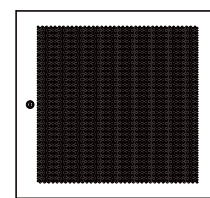
A=Steel Casement Door



B=Smoky-grey glass door



C=Smoky-grey glass door with frame punched



D=Perforation steel door with high ventilation level(hexagonal type)

COLOR

☆ = Colors

A= Black(RAL9004)

B=Gray(RAL7044)

