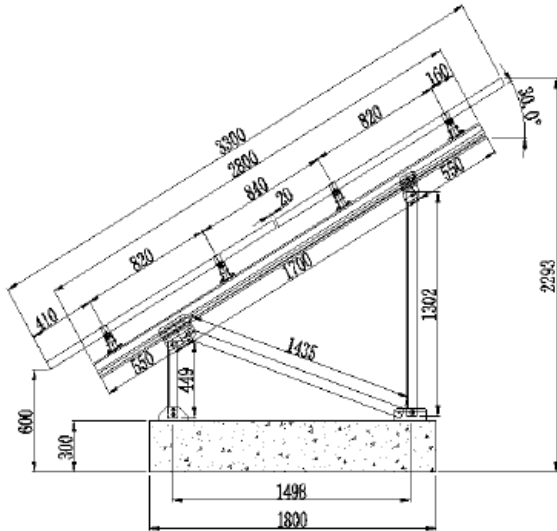
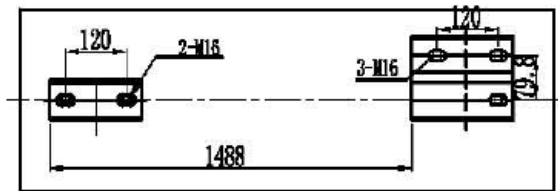


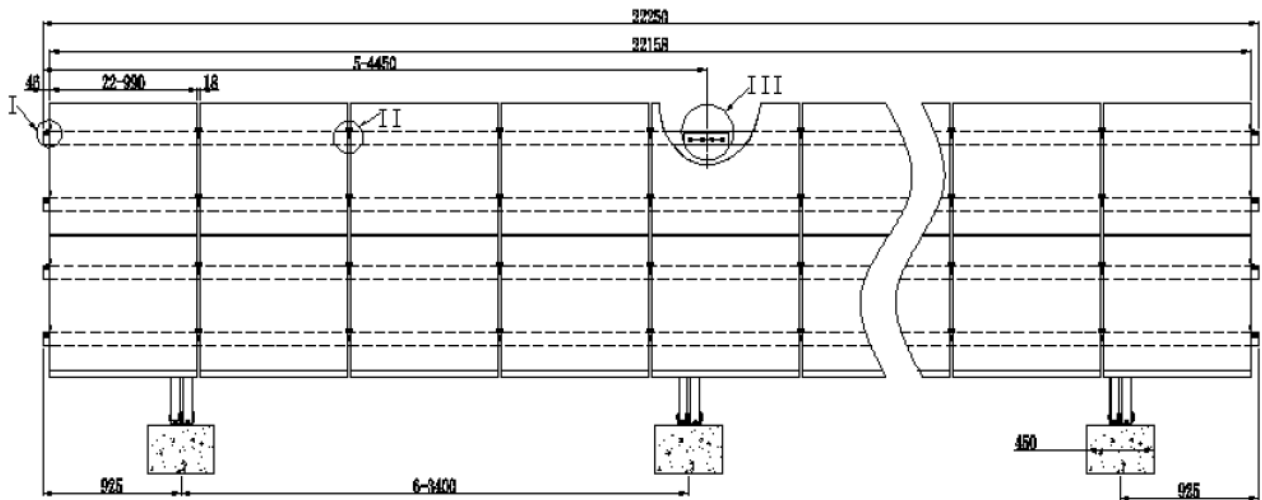
Technical data



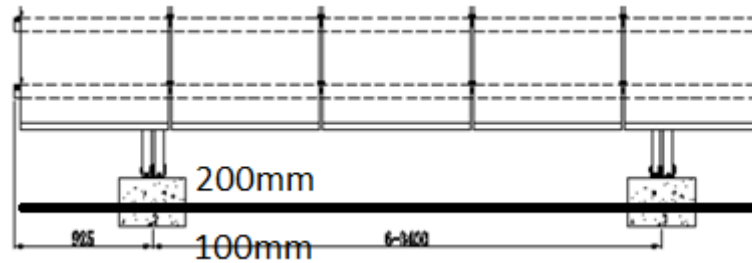
Side View



Location planning of anchor-plate



3 tables of 2*34 modules, total 204 modules. STIII spacing at 3600mm



Wind Loading

The wind loading for this (sample) area is 25m/s, 0.7kn/m², based on this we have calculated that concrete pads should be no more than 3600mm apart.

The concrete pads at these center's weigh 535kg. With the 3600mm spacing and 535kg weight, the system is robust enough to withstand windspeeds of 25m/s (and peaks of 50/60)

The concrete pads should be L1800*W450*H300mm, density 2200, weight 535kg.

This loading calculation conforms to all Building Regulations including Part A on Structural Safety and MCS0012 standards.