

PEAS Series AC Isolators

CE Δ CB

PROJOY
electric
– Switch To Safety! –



High Craftsmanship AND High Standards



Small
volume



Flame
retardant
material



IP66



Arcing
Short



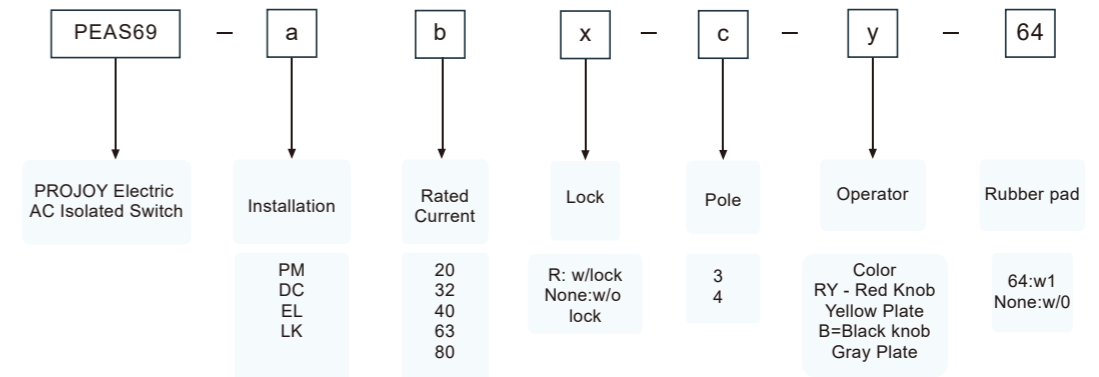
Complete
accessories



Multiple
wiring

PROJOY
electric
– Switch To Safety! –

Select Code



Specifications

Model	PEAS69-20	PEAS69-32	PEAS69-40	PEAS69-63	PEAS69-80
Rated operating current AC-23A(A)	20	32	40	63	80
Rated operating current AC-3(A)	12	23	30	37	37
Rated power control (kW) AC - 23A	240V	4	7.5	9	15
	440V	7.5	12.5	16	22
Rated power control (kW) AC - 3	240V	3	5.5	7.5	11
	440V	5.5	11	15	18.5
Rated power control (kW) UL -CSA	240V	3	5	5	10
	440V	7.5	10	10	20
Rated short-time withstand current(A)	250	400	500	600	850
Connect wires	0.5-10mm ²			1-16mm ²	
Screw torque	0.8-1.7N . m			1.5-2N . m	
Rated insulation voltage	690V				

Panel Mounting

Head panel installation size
A: 4 hole, center distance 48(no gasket)
B: 4 hole, center distance 36(4 hole gasket)
C: 2 hole, center distance 36(2 hole gasket)

Model	Dimensions				Holes on Panel		Holes on Bottom	
	H1	H2	L	W	d1	d2	p1	p1
PEAS69-PM20-4	66	34.5	64	48	10	4.5	35	68
PEAS69-PM32-4	66	34.5	64	48	10	4.5	35	68
PEAS69-PM40-4	66	34.5	64	48	10	4.5	35	68

Distribution Board

Head panel installation size
A: 4 hole, center distance 48(no gasket)
B: 4 hole, center distance 36(4 hole gasket)

Model	Dimensions				Holes on Panel		Holes on Bottom	
	H1	H2	L	W	d1	d2	p1	p1
PEAS69-PM20R-4B64	66	41.6	64	48	10	4.5	35	68
PEAS69-PM32R-4B64	66	41.6	64	48	10	4.5	35	68
PEAS69-PM40R-4B64	66	41.6	64	48	10	4.5	35	68

Head panel installation size
A: 4 hole, center distance 48(no gasket)
B: 4 hole, center distance 36(4 hole gasket)
C: 2 hole, center distance 36(2 hole gasket)

Model	Dimensions				Holes on Panel		Holes on Bottom	
	H1	H2	L	W	d1	d2	p1	p1
PEAS69-PM63-3	66	34.5	64	48	10	4.5	35	68
PEAS69-PM80-3	66	34.5	64	48	10	4.5	35	68

Head panel installation size
A: 4 hole, center distance 48(no gasket)
B: 4 hole, center distance 36(4 hole gasket)

Model	Dimensions				Holes on Panel		Holes on Bottom	
	H1	H2	L	W	d1	d2	p1	p1
PEAS69-PM63R-3B64	66	41.6	64	48	10	4.5	35	68
PEAS69-PM80R-3B64	66	41.6	64	48	10	4.5	35	68

Distribution Board

Head panel installation size:
A: 4 hole, center distance 48(no gasket)
B: 4 hole, center distance 36(4 hole gasket)

Model	Dimensions				Holes on Panel		Holes on Bottom	
	H1	H2	L	W	d1	d2	p1	p1
PEAS69-PM20R-4RY64	66	41.6	64	48	10	4.5	35	68
PEAS69-PM32R-4RY64	66	41.6	64	48	10	4.5	35	68
PEAS69-PM40R-4RY64	66	41.6	64	48	10	4.5	35	68

Door Clutch

Head panel installation size:
The three installation methods in the figure:
A: 4 hole, center distance 48(no gasket)
B: 4 hole, center distance 36(4 hole gasket)

Model	Dimensions				Holes on Panel		Holes on Bottom	
	H1	H2	L	W	d1	d2	p1	p2
PEAS69-DC20R-4RY64	60	41.6	64	48	customization	4.5	35	68
PEAS69-DC32R-4RY64	60	41.6	64	48	customization	4.5	35	68
PEAS69-DC40R-4RY64	60	41.6	64	48	customization	4.5	35	68

Head panel installation size:
The three installation methods in the figure:
A: 4 hole, center distance 48(no gasket)
B: 4 hole, center distance 36(4 hole gasket)

Model	Dimensions				Holes on Panel		Holes on Bottom	
	H1	H2	L	W	d1	d2	p1	p1
PEAS69-PM63R-3RY64	66	41.6	64	48	10	4.5	35	68
PEAS69-PM80R-3RY64	66	41.6	64	48	10	4.5	35	68

Head panel installation size:
The three installation methods in the figure:
A: 4 hole, center distance 48(no gasket)
B: 4 hole, center distance 36(4 hole gasket)

Model	Dimensions				Holes on Panel		Holes on Bottom	
	H1	H2	L	W	d1	d2	p1	p2
PEAS69-DC63R-3RY64	60	41.6	64	48	customization	4.5	35	68
PEAS69-DC80R-3RY64	60	41.6	64	48	customization	4.5	35	68

Door Clutch

Model	Dimensions					Holes on Panel		Holes on Bottom	
	H1	H2	L	W	E	d2	p1	p2	
PEAS69-DC20R-4B64	60	41.6	64	48	customization	4.5	35	68	
PEAS69-DC32R-4B64	60	41.6	64	48	customization	4.5	35	68	
PEAS69-DC40R-4B64	60	41.6	64	48	customization	4.5	35	68	

Model	Dimensions					Holes on Panel		Holes on Bottom	
	H1	H2	L	W	E	d2	p1	p2	
PEAS69-DC63R-3B64	60	41.6	64	48	customization	4.5	35	68	
PEAS69-DC80R-3B64	60	41.6	64	48	customization	4.5	35	68	

Door Clutch

Model	Dimensions					Holes on Panel		Holes on Bottom	
	H1	H2	L	W	E	d2	p1	p2	
PEAS69-DC20-4	60	34	64	48	customization	4.5	35	68	
PEAS69-DC32-4	60	34	64	48	customization	4.5	35	68	
PEAS69-DC40-4	60	34	64	48	customization	4.5	35	68	

Model	Dimensions					Holes on Panel		Holes on Bottom	
	H1	H2	L	W	E	d2	p1	p2	
PEAS69-DC63-3	60	34	64	48	customization	4.5	35	68	
PEAS69-DC80-3	60	34	64	48	customization	4.5	35	68	

Distribution Board

Model	Dimensions					Holes on Panel		Holes on Bottom	
	H1	H2	L	W	E	d2	p1	p2	
PEAS69-LK20-4	66	22	64	48	35	68	4.5		
PEAS69-LK32-4	66	22	64	48	35	68	4.5		
PEAS69-LK40-4	66	22	64	48	35	68	4.5		

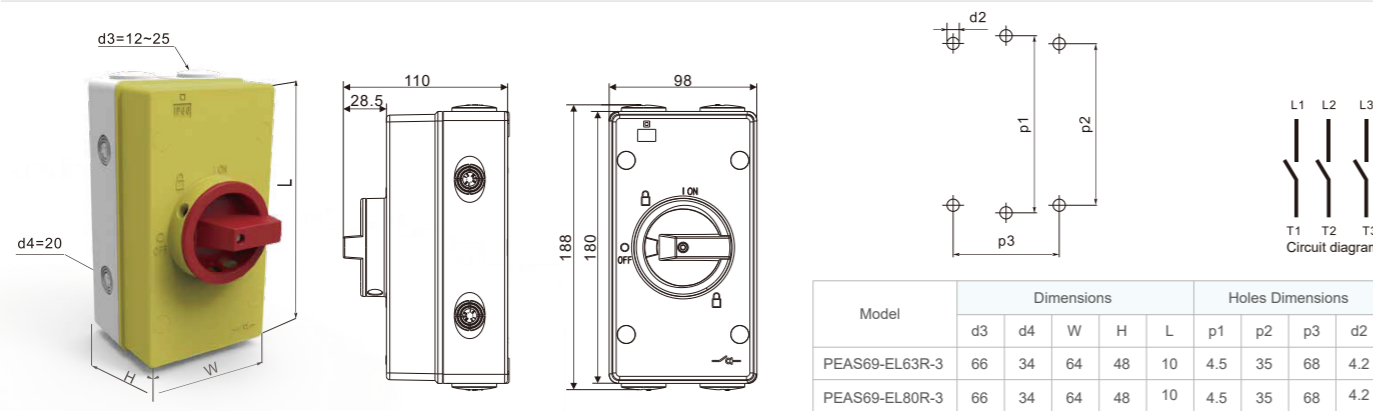
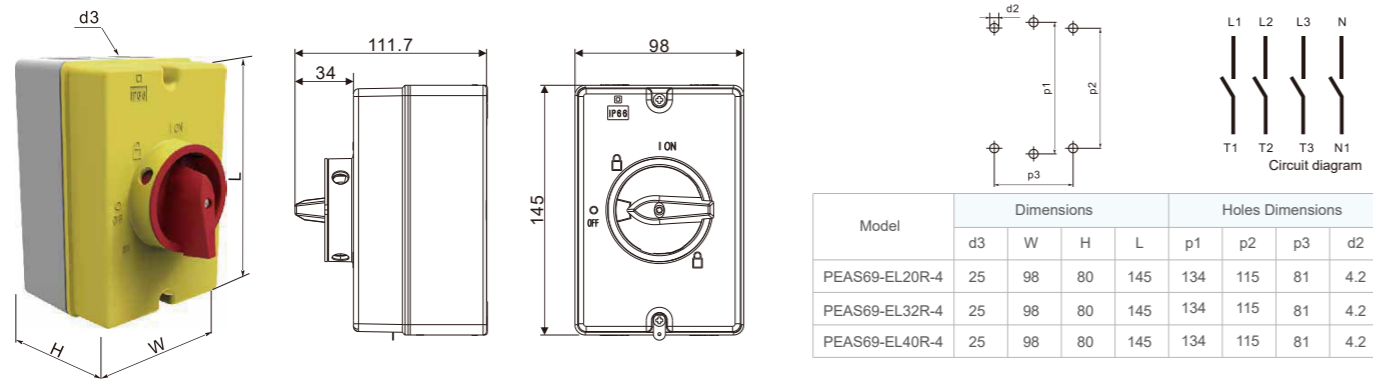
Model	Dimensions					Holes on Panel		Holes on Bottom	
	H1	H2	L	W	E	d2	p1	p2	
PEAS69-LK63-3	66	34	64	48	4.5	35	68		
PEAS69-LK80-3	66	34	64	48	4.5	35	68		

Distribution Board

Model	Dimensions					Holes on Panel		Holes on Bottom	
	H1	H2	L	W	E	d2	p1	p2	
PEAS69-LK20-4RY	66	22	64	48	4.5	35	68		
PEAS69-LK32-4RY	66	22	64	48	4.5	35	68		
PEAS69-LK40-4RY	66	22	64	48	4.5	35	68		

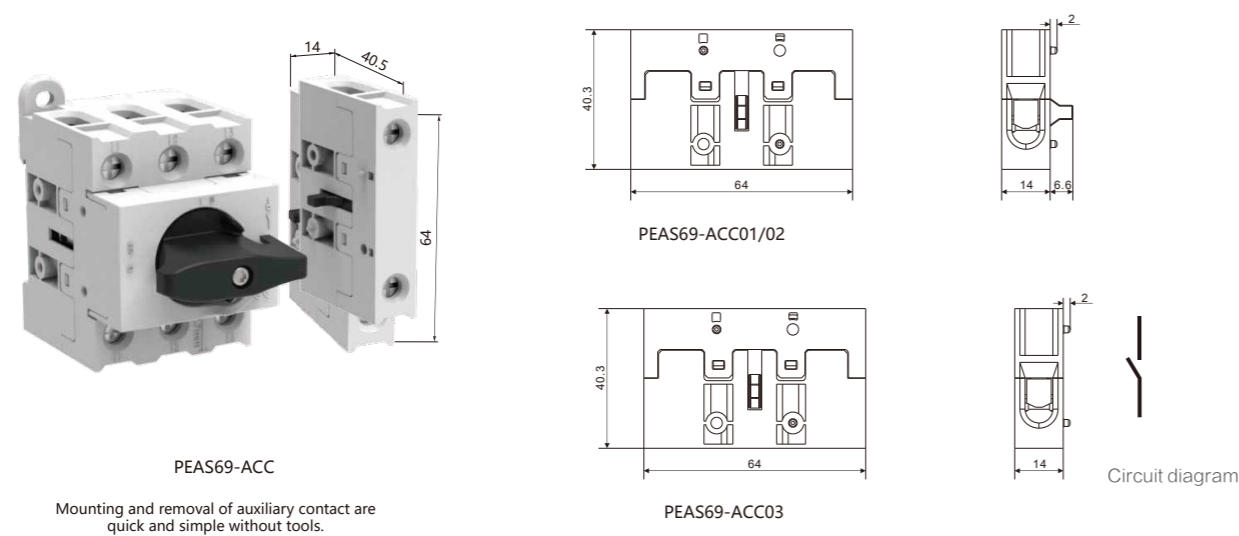
Model	Dimensions					Holes on Panel		Holes on Bottom	
	H1	H2	L	W	E	d2	p1	p2	
PEAS69-LK63-3RY	66	34	64	48	4.5	35	68		
PEAS69-LK80-3RY	66	34	64	48	4.5	35	68		

Enclosure Series



Add-on Auxiliary Contacts

One add-on block suitable for all the PEAS69 AC Isolated Switches to have simultaneous operation with the switch poles.



PEAS69-ACC

Mounting and removal of auxiliary contact are quick and simple without tools.

Technical data

PEAS-N	PEAS50-EL20-1N	PEAS50-EL20-2N	PEAS50-EL20-3N
Contacts Wiring Diagram			
Free air thermal current (<i>I</i> _{th})	20A	20A	20A
Enclosed thermal current (<i>I</i> _{th} _e)	20A	20A	20A
Rated insulation Voltage(<i>U</i> _i)	500V		
Rated Impulse Withstand Voltage	4.0kV		
Rated operational voltage(<i>U</i> _e)	250Vac(1P) 440Vac(2P/3P)		
Rated operational current(IEC60947.3) at 440V AC-22A	20A	20A	20A
Short time withstand current(<i>I</i> _{cw})	0.76kA,1s		
Short-circuit making capacity	1.5kA		
Mechanical Endurance with current	1500		
Mechanical Endurance without current	8500		
Degree of Protection	IP66		
Conduit Entries	4XM25		
Padlock max diameter	6mm		
Max.Cable Size mm ² (Mains)	25		
Max.Cable Size mm ² (N/E)	16		

PEAS-N	PEAS50-EL35-1N	PEAS50-EL35-2N	PEAS50-EL35-3N
Contacts Wiring Diagram			
Free air thermal current (<i>I</i> _{th})	35A	35A	35A
Enclosed thermal current (<i>I</i> _{th} _e)	35A	35A	35A
Rated insulation Voltage(<i>U</i> _i)	500V		
Rated Impulse Withstand Voltage	4.0kV		
Rated operational voltage(<i>U</i> _e)	250Vac(1P) 440Vac(2P/3P)		
Rated operational current(IEC60947.3) at 440V AC-22A	35A	35A	35A
Short time withstand current(<i>I</i> _{cw})	0.76kA,1s		
Short-circuit making capacity	1.5kA		
Mechanical Endurance with current	1500		
Mechanical Endurance without current	8500		
Degree of Protection	IP66		
Conduit Entries	4XM25		
Padlock max diameter	6mm		
Max.Cable Size mm ² (Mains)	25		
Max.Cable Size mm ² (N/E)	16		

Technical data

PEAS-N	PEAS50-EL63-1N	PEAS50-EL63-2N	PEAS50-EL63-3N
Contacts Wiring Diagram			
Free air thermal current (<i>I_{th}</i>)	63A	63A	63A
Enclosed thermal current (<i>I_{the}</i>)	63A	63A	63A
Rated insulation Voltage(<i>U_i</i>)	500V		
Rated Impulse Withstand Voltage	4.0kV		
Rated operational voltage(<i>U_e</i>)	250Vac(1P) 440Vac(2P/3P)		
Rated operational current(IEC60947.3) at 440V AC-22A	63A	63A	63A
Short time withstand current(<i>I_{cw}</i>)	0.76kA,1s		
Short-circuit making capacity	1.5kA		
Mechanical Endurance with current	1500		
Mechanical Endurance without current	8500		
Degree of Protection	IP66		
Conduit Entries	4XM25		
Padlock max diameter	6mm		
Max.Cable Size mm ² (Mains)	25		
Max.Cable Size mm ² (N/E)	16		

Appearance	Type	Rated operation current	Applied to	Circuit diagram
	PEAC69-ACC01	80A	PEAS69	
	PEAC69-ACC02	80A	PEAS69	
	PEAC69-ACC03	-	PEAS69	



PROJOY
electric
– Switch To Safety! –

ProJoy Electric Co., Ltd.

2nd Floor, Building 3, No. 2266, Taiyang Road, Xiangcheng District, Suzhou, China

Tel: +86 512 6878 6489 | Fax: +86 512 6878 6489

Email: sales@projoy-electric.com | www.projoy-electric.com