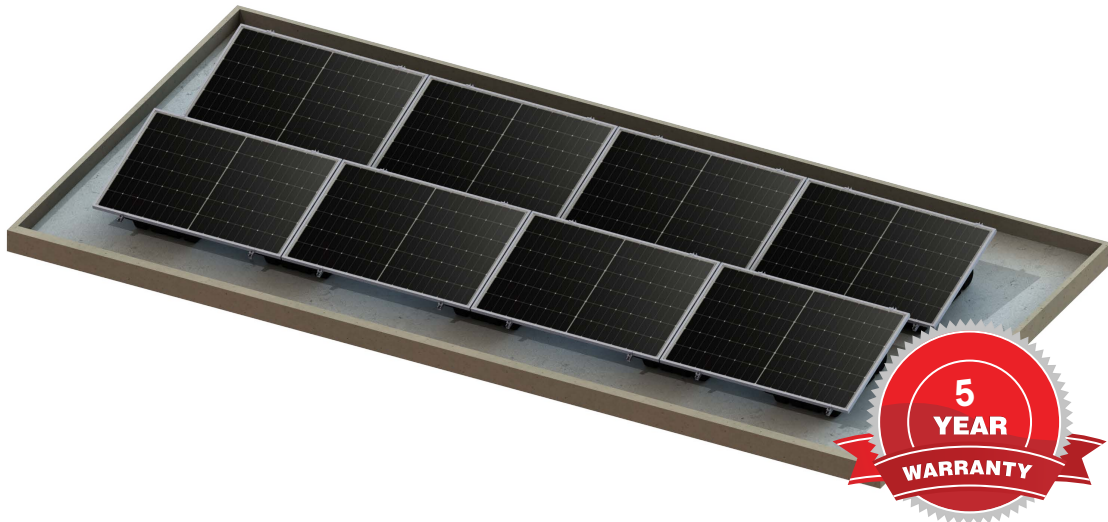


Plastic Tray Bracket

Tilt for flat roofs, grounds



Tilt roof



Flat roof



Corrugated metal



Trapezoidal sheet



Framed module



Orientation portrait



Orientation landscape

Product Features

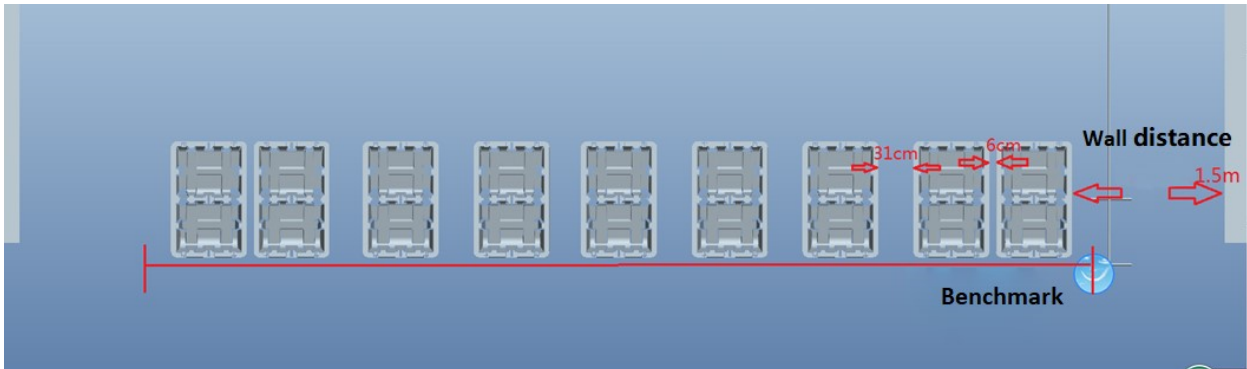
- Widely used for both crystalline and thin film modules.
- Easy & quick installation
- Only 2~3 kinds of components and no more than two kinds of tools in whole system fixation.
- All system components are made with high quality aluminum & stainless steel.

Technical Data

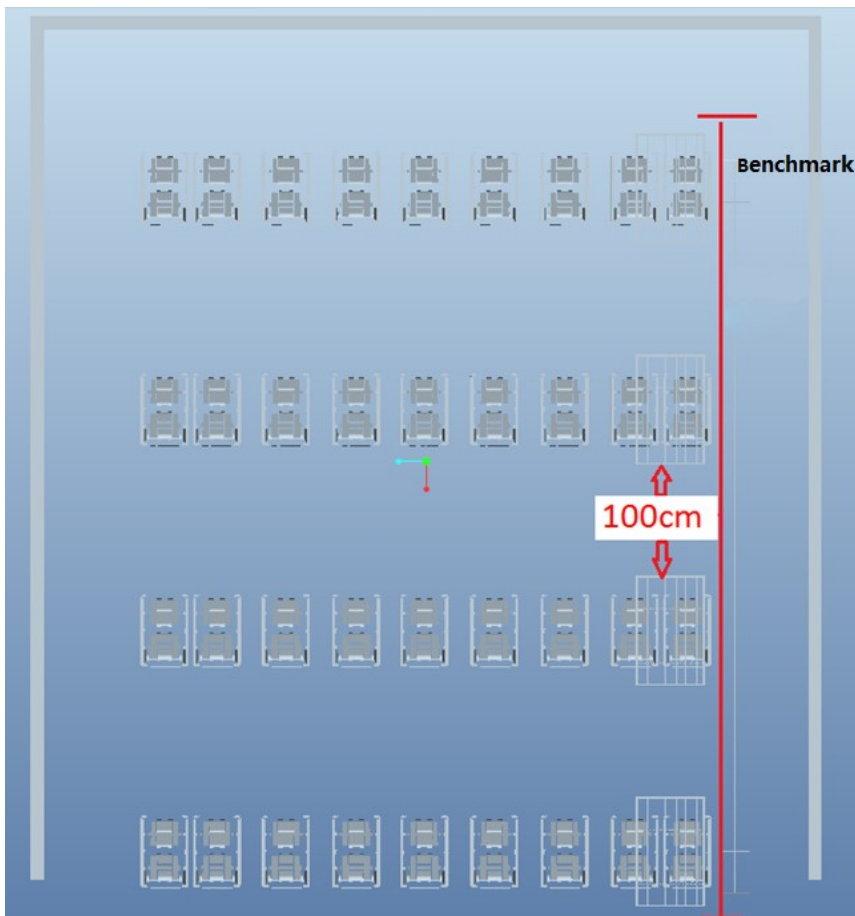
Project site	Flat Concrete roof $\leq 10^\circ$ or Ground
Type	Above Roof
Type	Solar PV Mounting
Slope of roof	18 degree
Filler	100KG
Wind Load	45m/s
Snow Load	2.0kn/ m^2
Applicable Module	Frame / frameless module, crystalline/ thin film module
Module Orientation	Landscape or portrait
Module size	Width within 1300mm, length within 2300mm
Material	PP
Color	Black

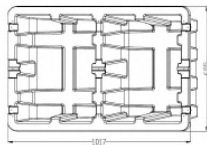
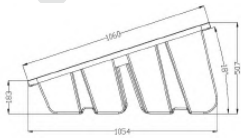
Bracket Arrangement

1. Making a baseline in marked position and place a row of brackets, pay attention to the distance at side and brackets is shared in middle.



2. Placing all brackets so that the distance between the module rows is 100cm. The distance should be more than 1.5 times of the distance between the highest panel and the ground, and there should be no shadow cover panels so as not to affect the power generation.





Types	Asphalt or concrete flat roof, ground
Filler	Gravel, stone, bricks
Weight of filler	100KG
Content	1× plastic box (F-PB-B)
	4× plastic end clamps
	4× screws
Installation guide	No. of module +1
Life time	20 years
Dimension	1054×695×507mm
Net weight	7.5KG
Panel orientation	Landscape
panel width available	998-1010mm

System Overview

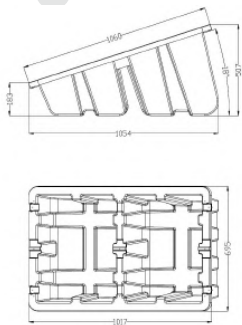


Instructions of Landscape Installation (998-1010mm width panel)



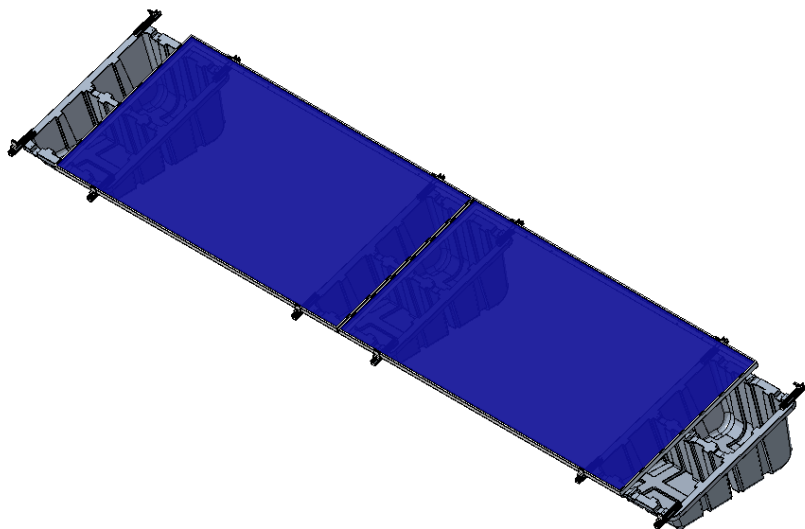
Put the plastic trays on the ground with gravels or stones(the weight should be 60-100kg per tray)

Fix the panels on the trays by the plastic end clamps with 6*30 screw

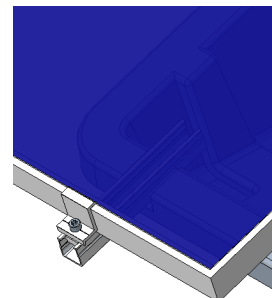
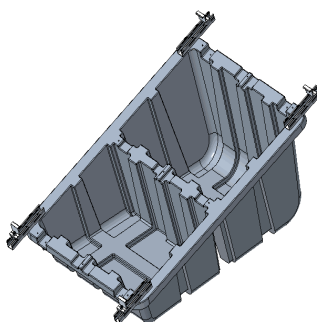
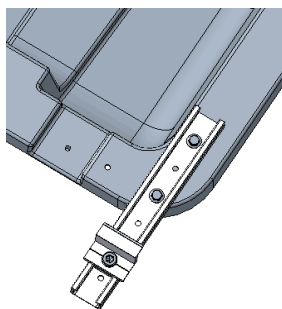


Types	Asphalt or concrete flat roof, ground
Filler	Gravel, stone, bricks
Weight of filler	100KG
Content	1× plastic box (F-PB-B)
	4× mini rail (F-MNR200)
	4× Al end clamps (F-SEC)
Installation guide	No. of module +1
Life time	20 years
Dimension	1054×695×507mm
Net weight	7.5KG
Panel orientation	Landscape
panel width available	1010-1200mm

System Overview



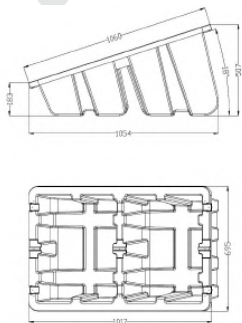
Instructions of Landscape Installation (1010-1200mm width panel)



Put the plastic trays on the ground with gravels or stones(the weight should be 60-100kg per tray)

Fix 4 pcs 200mm mini rails on the side of plastic trays by 8pcs 6.3*25 stepping screw or M8*30 bolt set, then fasten the aluminum end clamps to install the solar panels.

www.fastensolar.com

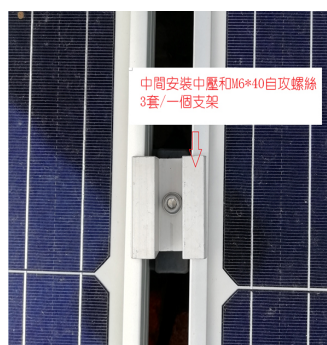


Types	Asphalt or concrete flat roof, ground
Filler	Gravel, stone, bricks
Weight of filler	100KG
Content	1× plastic box (F-PB-B)
	2× plastic padding
	3× Al mid clamps+3× Al end clamps
Installation guide	No. of module +1
Life time	20 years
Dimension	1054×695×507mm
Net weight	7.5KG
Panel orientation	Portrait
panel width available	800-1300mm

System Overview



Instructions of Portrait Installation (800-1300mm width panel)



Put the plastic trays on the ground with gravels or stones(the weight should be 60-100kg per tray)

Fix the panels on the trays by 3pcs*aluminum mid clamps and end clamps with 6*45 screw. (if it's over 40mm width panel, should use longer screw)