

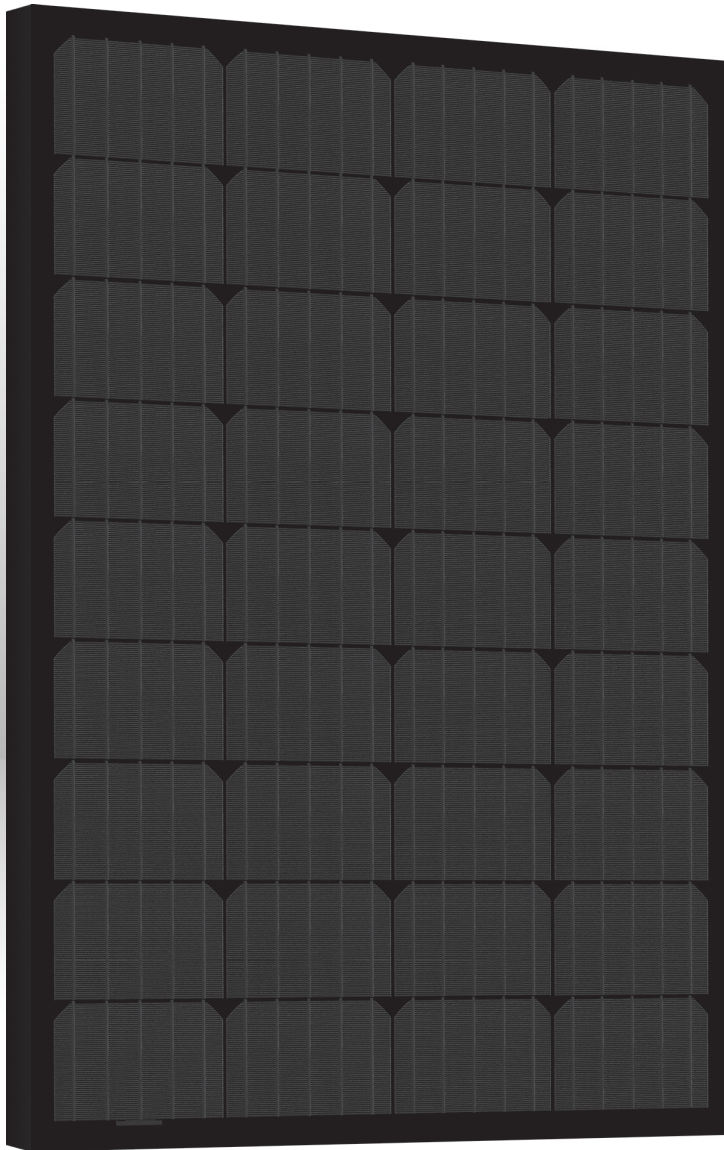
Think **Black** series

PLM-100MA-36 SERIES

High Efficiency PERC Cells



PERLIGHT
smart.black



5 Years
Limited Product Warranty



5 Years
Performance Warranty

THE REAL BLACK IN SOLAR SLEEK, POWERFUL, STYLISH MONOCRYSTALLINE SILICON SOLAR MODULE

HIGH QUALITY BLACK WELDING STRIPS - Prevents over heating of the panel (Patent pending)

LONGER LIFE - Less panel degradation over the life of the panel

ULTRA SMOOTH TEMPERED GLASS - Less dust and grime collecting on the panels

NEW GENERATION ANTI REFLECTIVE GLASS COATING - Increases light transmittance

HIGH QUALITY EVA FILM - Widens light transmittance range



Think **Black** series

ELECTRICAL PERFORMANCE

Module type		PLM-100MA-36 Series	
Power output	P_{max}	W	100
Power output tolerances	ΔP_{max}	%	0 - 3
Voltage at Pmax	V_{mpp}	V	18.29
Current at Pmax	I_{mpp}	A	5.47
Open-circuit voltage	V_{oc}	V	22.80
Short-circuit current	I_{sc}	A	5.85
Solar Module Efficiency	Eff.	%	14.67

STC: 1000W/m² irradiance, 25°C cell temperature, AM 1.5g spectrum according to EN 60904-3.

THERMAL CHARACTERISTICS

Nominal operating cell temperature	NOCT	°C	45±2
Temperature coefficient of Pmax	ν	%/°C	-0.40
Temperature coefficient of Voc	β_{Voc}	%/°C	-0.30
Temperature coefficient of Isc	α_{Isc}	%/°C	0.06
Temperature coefficient of Vmpp	β_{Vmpp}	%/°C	-0.35

OPERATING CONDITIONS

Max. system voltage	1000V _{DC}
Limiting reverse current	15A
Operating temperature range	-40°C to 85°C
Max. static load front (e.g., snow)	5400Pa
Max. static load back (e.g., wind)	2400Pa
Max. hailstone impact (diameter / velocity)	25mm / 23m/s

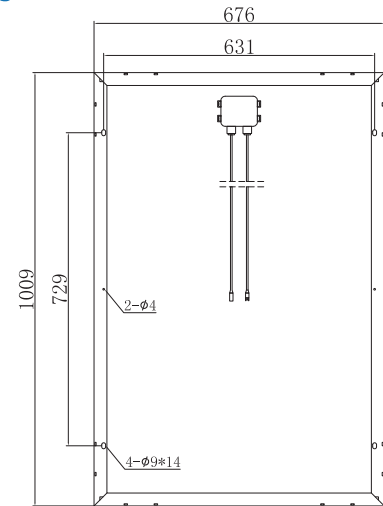
MECHANICAL CHARACTERISTICS

Front cover (material / thickness)	low-iron tempered glass / 3.2mm
Backsheet (color)	black
Cell (quantity/material/dimensions)	36 / monocrystalline silicon / 156.75x104mm
Frame (material / color)	anodized aluminum alloy / black
Junction box (protection degree)	≥ IP67
Cables & Plug connectors	900mm / 4mm ² & MC4 compatible / IP67
Module Dimensions (L / W / H)	1009x676x35mm
Module Weight	7.8kg

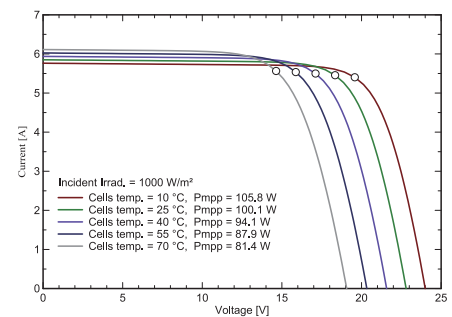
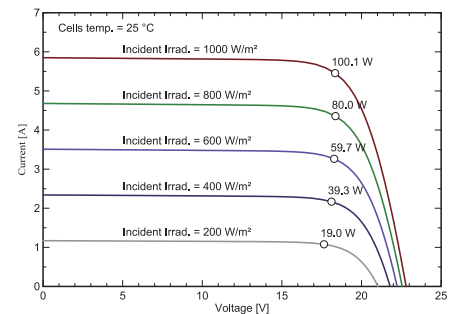
PACKING DETAILS

Container	20'GP	40'HQ
Pieces per pallet	70	90
Pallets per container	10	22
Pieces per container	700	1980

Module Diagram:

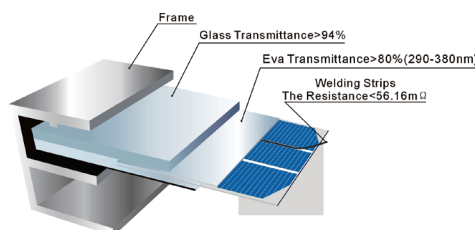


Electrical Curves:



Perlight Partners

ALL BLACK PANELS



REGULAR BLACK PANELS

