

OWEN BROTHERS

METERING UK LTD

OBM-LORA-EXT



A. Electrical Characteristics

Frequency	413-453MHz
S.W.R.	≤ 2.0
Peak Gain (dBi)	$-1.22 \pm 0.7 \text{dBi}@433\text{MHz}$
Antenna Efficiency (%)	34.08%
Polarization	Linear
Impedance	50 Ohm

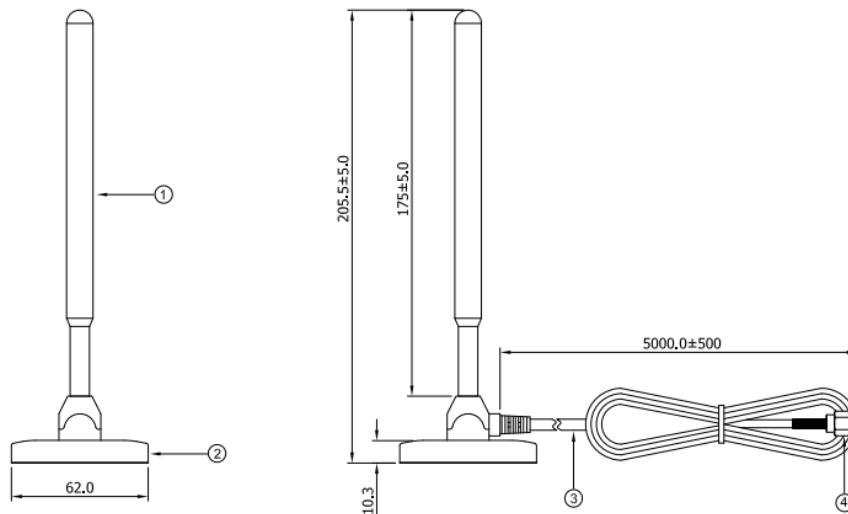
B. Material & Mechanical Characteristics

Material of Radiator	Brass
Connector Type	SMA Male
Connector Pull Test	$> 6\text{Kg}$

C. Environmental

Operation Temperature	$-40\text{ }^{\circ}\text{C} \sim +65\text{ }^{\circ}\text{C}$
Storage Temperature	$-40\text{ }^{\circ}\text{C} \sim +80\text{ }^{\circ}\text{C}$

DIMENSIONS:



UNIT 6 GLEN TRADING ESTATE • WELLYHOLE STREET • OLDHAM • OL4 3BF • UK

+44 (0) 161 624 6211

WWW.OWEN-BROTHERS.COM

VAT: GB 146 8118 59 • COMPANY REG: 6342757