



PUZ-WM-VHA

Monobloc Standalone Air Source Heat Pump



Our range of Ecodan monobloc air source heat pumps includes a 5kW size.

With enhanced performance and efficiencies of the new chassis, combined with the ability to cascade up to six units of the same output, this Ecodan monobloc system can provide a capacity range from 5 through to 30kW. Designed to suit a wide number of applications, this model offers a viable solution for all types of domestic requirements that the UK housing market demands.

Key Features

- Self-contained unit, only requiring water and electric connections
- No need for gas supply, flues or ventilation
- Low maintenance and quiet operation
- Operates with outside temperatures as low as -20°C
- Optimised low ambient defrost control and operation down to -7°C
- Hybrid function, for use with conventional boilers
- Energy monitoring as standard
- Multiple unit cascade function



OUTDOOR UNIT		PUZ-WM50VHA(-BS)
HEAT PUMP SPACE HEATER - 55°C	ErP Rating	A++
	η_s	129%
	SCOP	3.33
HEAT PUMP SPACE HEATER - 35°C	ErP Rating	A+++
	η_s	183%
	SCOP	4.58
HEAT PUMP COMBINATION HEATER - Large Profile ¹	ErP Rating	A+
	η_{wh}	135%
HEATING ² (A-7/W35)	Capacity (kW)	5.0
	Power Input (kW)	1.67
	COP	3.00
OPERATING AMBIENT TEMPERATURE (°C DB)		-20 ~ +35
SOUND DATA ³	Pressure Level at 1m (dBA)	47
	Power Level (dBA) ⁴	61
WATER DATA	Pipework Size (mm)	22
	Flow Rate (l/min)	14
	Water Pressure Drop (kPa)	12.0
DIMENSIONS (mm)	Width	950
	Depth	330+30 ⁷
	Height	923
WEIGHT (kg)		71
ELECTRICAL DATA	Electrical Supply	220-240v, 50Hz
	Phase	Single
	Nominal Running Current [MAX] (A) ⁵	4.64 [13]
	Fuse Rating - MCB Sizes (A) ⁶	16
REFRIGERANT CHARGE (kg) / CO ₂ EQUIVALENT (t)	R32 (GWP 675)	2.0 / 1.35

¹ Combination with E*PT20X Cylinder

² Under normal heating conditions at outdoor temp: -7°CDB / -8°CWB, outlet water temp 35°C, inlet water temp 30°C.

³ Under normal heating conditions at outdoor temp: 7°CDB / 6°CWB, outlet water temp 55°C, inlet water temp 47°C as tested to BS EN14511.

⁴ Sound power level tested to BS EN12102.

⁵ Under nominal heating conditions at outdoor temp: 7°C, outlet water temp: 35°C.

⁶ MCB Sizes BS EN60898-2 & BS EN60947-2.

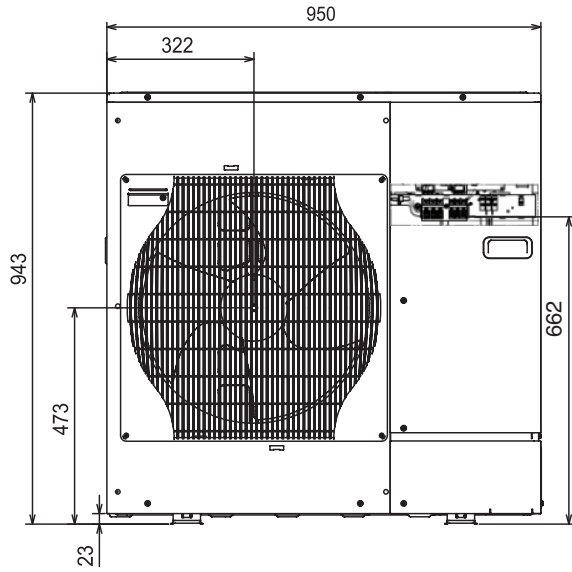
⁷ Grille.

η_s is the seasonal space heating energy efficiency (SSHEE) η_{wh} is the water heating energy efficiency

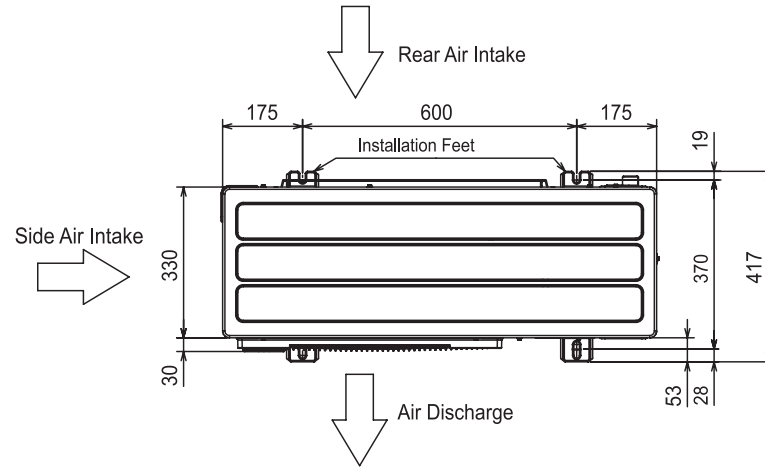


Certificate Number: 037-0032-20
Product Type: Heat Pumps
Product Reference: PUZ-WM50VHA(-BS)

Front View



Upper View



Side View

