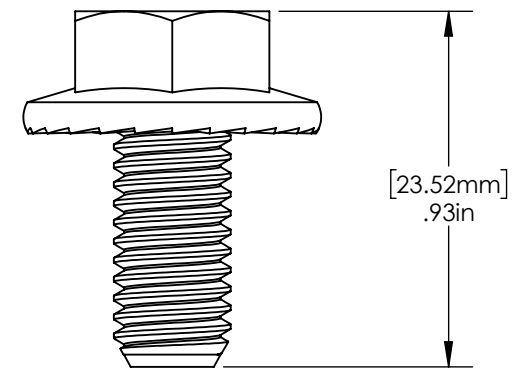
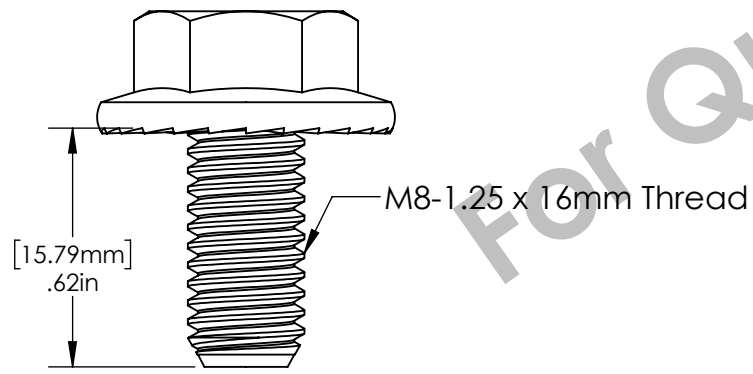



Serrated Flange



For Quote Only

Revision History			
REV.	DESCRIPTION	DATE	APPROVED
A	Released for Quote	09/29/2017	PL

MATERIAL: <b>304 Stainless Steel</b>	BRK SHARP CORNERS <b>Yes</b>			METAL ROOF INNOVATIONS, LTD.	
FINISH:	REQUIRED STAMP:			8655 TABLE BUTTE RD	
EST. CRS SECT AREA:	PACKAGING NUMBER:	COLORADO SPRINGS, CO 80908		719-495-0518	
CUT LENGTH:	PART HARDWARE:	719-495-0045(FAX)		TITLE	
DIE NUMBER:	MATING PART NUMBER REF:	M8-1.25 x 16mm Serrated Flange Bolt		DRAWING NO.	DATE
CUTTING TOLERANCES:	MATING PARTS:	SCALE	FILE NAME	-	09/29/2017
MACHINE TOLERANCES:		2:1		DRAWN BY Paul Leitch	
<p style="text-align: center; font-size: small;">S-5!® PRODUCTS ARE PROTECTED BY MULTIPLE U.S. AND FOREIGN PATENTS. VISIT OUR WEBSITE AT WWW.S-5.COM FOR COMPLETE INFORMATION ON PATENTS AND TRADEMARKS.</p>					