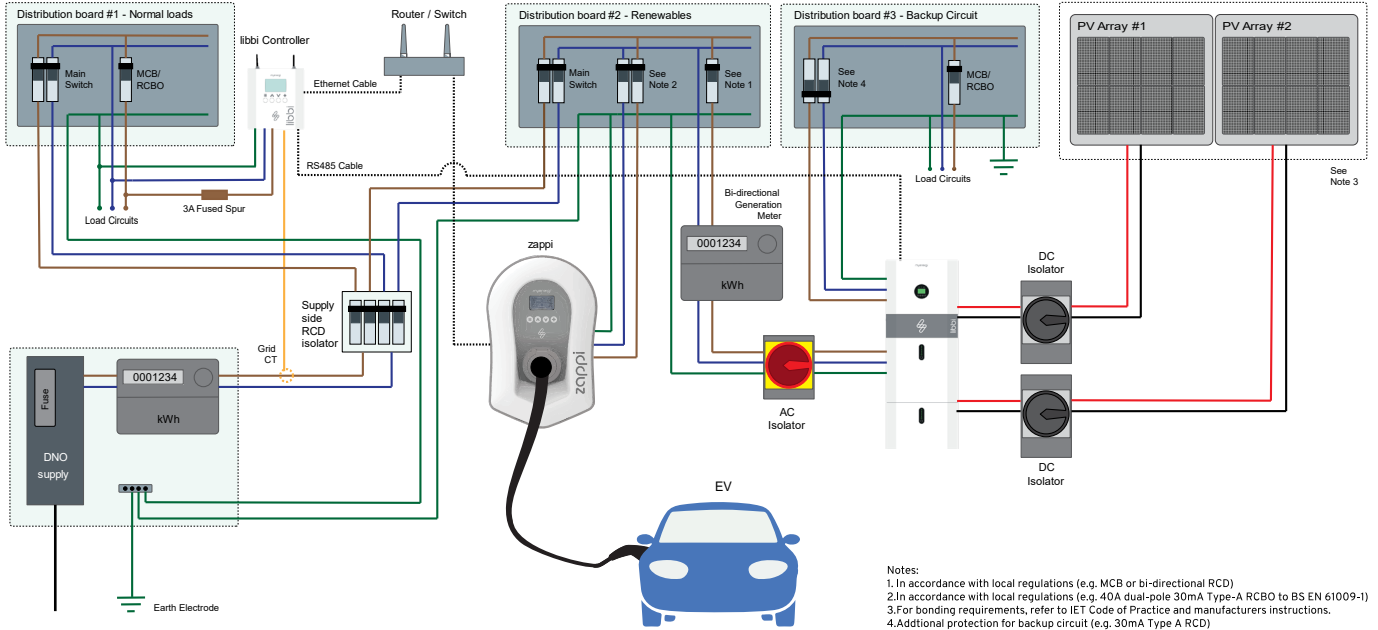


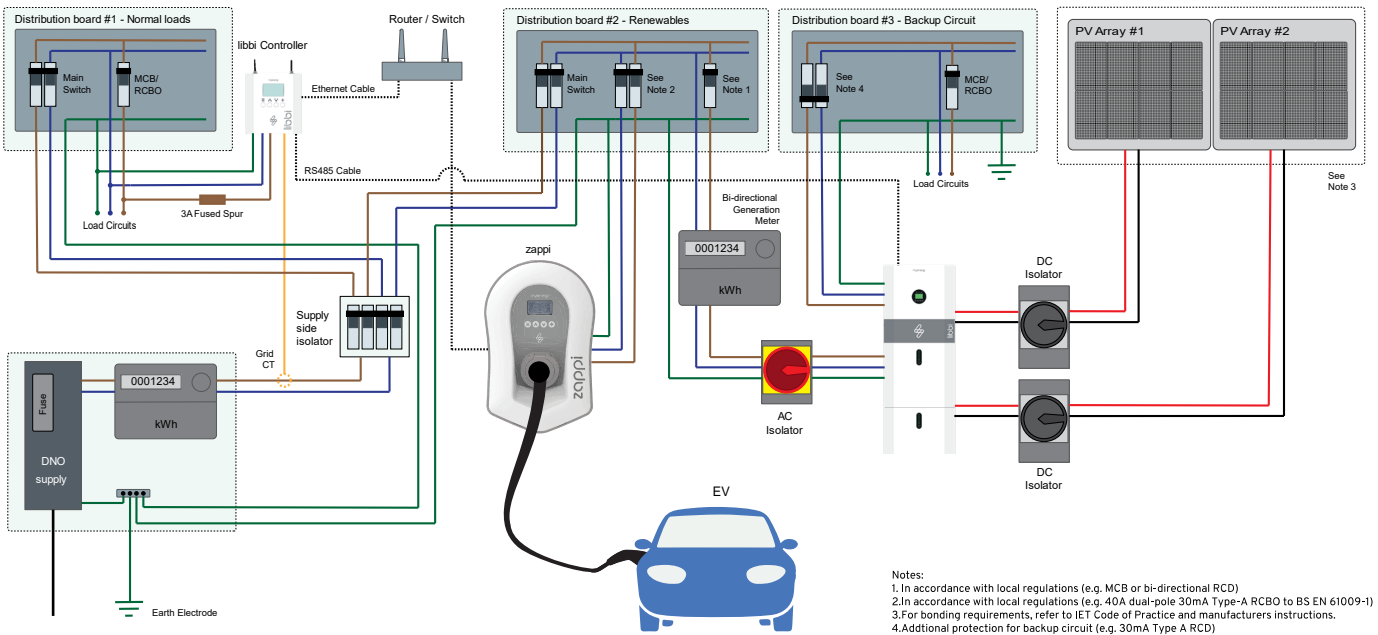
## libbi EESS Installation Schematics

### Typical Arrangements



- Notes:
1. In accordance with local regulations (e.g. MCB or bi-directional RCD)
  2. In accordance with local regulations (e.g. 40A dual-pole 30mA Type-A RCBO to BS EN 61009-1)
  3. For bonding requirements, refer to IET Code of Practice and manufacturers instructions.
  4. Additional protection for backup circuit (e.g. 30mA Type A RCD)

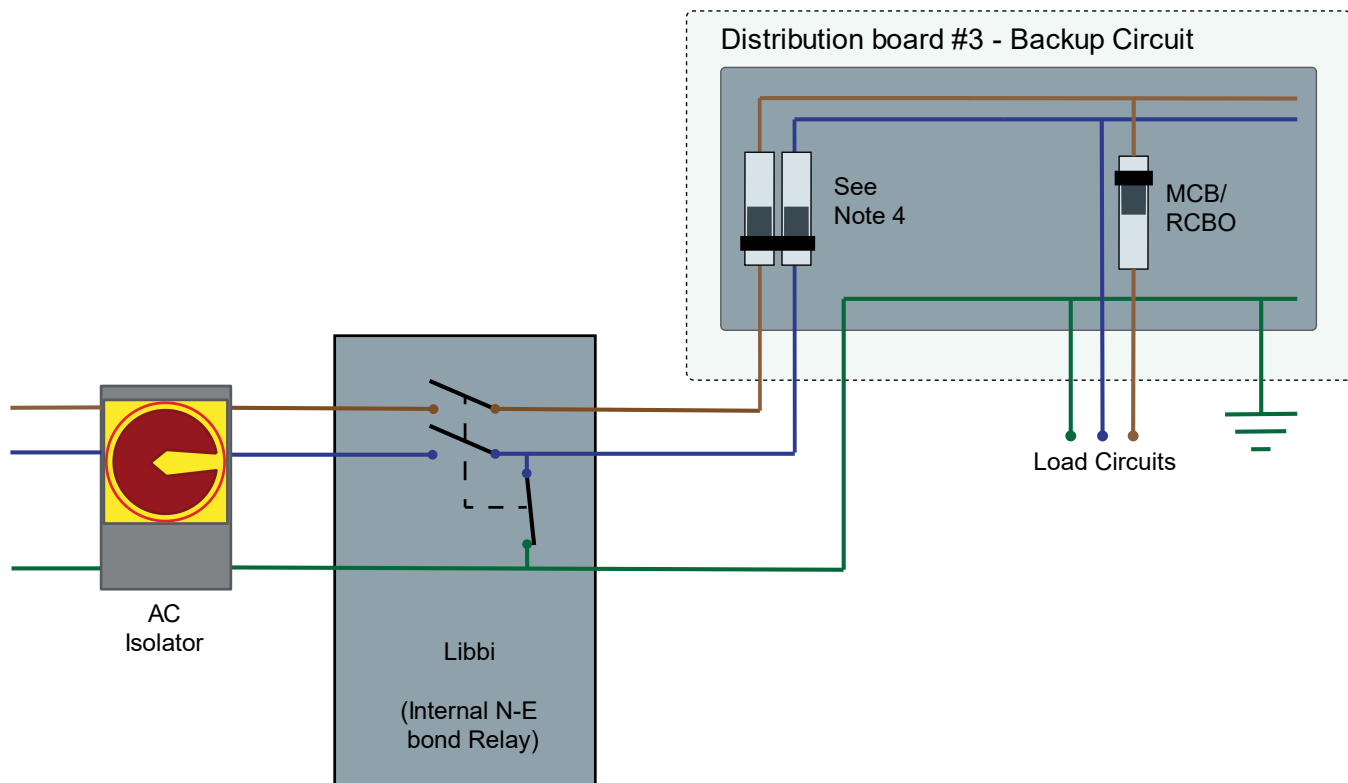
TT Grid Supply



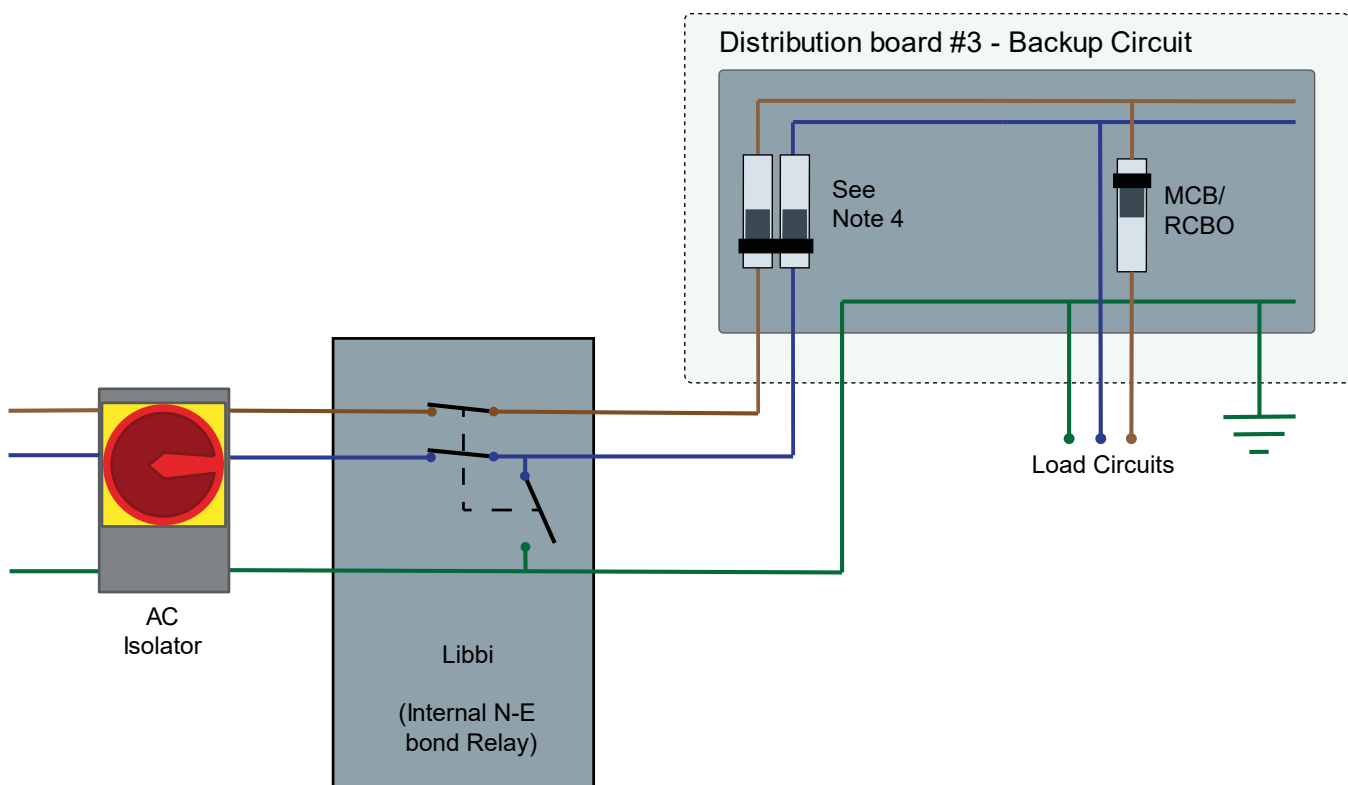
- Notes:
1. In accordance with local regulations (e.g. MCB or bi-directional RCD)
  2. In accordance with local regulations (e.g. 40A dual-pole 30mA Type-A RCBO to BS EN 61009-1)
  3. For bonding requirements, refer to IET Code of Practice and manufacturers instructions.
  4. Additional protection for backup circuit (e.g. 30mA Type A RCD)

TN-S or TN-C-S Grid Supply

# libbi N-E Bond Relay



N-E Circuit for Off-Grid Conditions



N-E Circuit for On-Grid Conditions