

# ME382 and MT382

## User manual



Document code: EAK 020.615.751

Version: V1.00

Date: 13.06.2013

## i. About the User manual

- User manual is intended to present the Mx382 meters (x stands for E (single phase meters) or T (three phase meters)).
- The User manual represents the purpose of the Mx382 meters, meter construction, the way of deriving the measured quantities and meter functionalities.
- The User manual is intended for technically qualified personnel at energy supply companies, responsible for system planning and system operation.

## ii. Reference documents

- Functional description
- Installation and maintenance manual

## iii. Versioning

Date	Version	Update
13.06.2013	V1.00	First version of document

Table of contents

1.	Safety information .....	13
1.1.	Safety instructions .....	14
2.	Energy metering and Mx382 meters .....	16
3.	Mx382 meters introduction .....	17
3.1.	Standards and references .....	17
3.2.	Mx382 meter appearance.....	20
3.3.	Main meter properties.....	24
3.4.	Mx382 meter connection into the network .....	26
3.5.	Energy and demand registration.....	27
3.5.1	Energy .....	28
3.5.2	Demand .....	29
3.6.	Measurement principle .....	33
3.6.1	Energy LED impulse output .....	33
3.6.2	Energy METRO pulse output .....	33
3.6.3	Measured quantities.....	35
3.6.4	Voltage.....	36
3.6.5	Current.....	37
3.6.6	Net frequency.....	38
3.6.7	Power.....	38
3.6.8	Power factor.....	38
3.6.9	Energy .....	39
3.6.10	Measurement period parameterization .....	41
4.	Meter construction.....	42
4.1.	Technical figures and dimensions .....	42
4.2.	Meter case.....	44
4.2.1	Terminal block.....	45
4.2.2	Meter cover .....	45
4.2.3	Terminal cover .....	46
4.2.4	Sealing.....	48
4.3.	Front plate .....	50
4.4.	Console keys .....	52
4.4.1	LCD.....	52

4.4.2	Metrological LEDs.....	59
4.4.3	Keys.....	60
4.4.4	Display data codes.....	69
4.5.	Voltage bridge .....	70
5.	Mx382 meter constituent parts.....	71
5.1.	Mx382 meter type designation .....	71
5.2.	Inputs and outputs.....	72
5.2.1	Relay output - load.....	72
5.2.2	OptoMOS output - service.....	74
5.2.3	Inputs .....	75
5.2.4	Active SD outputs .....	76
5.2.5	Input/output status .....	76
5.3.	Real time clock.....	77
5.3.1	Time.....	78
5.3.2	Status.....	78
5.3.3	Daylight Savings .....	78
5.3.4	Local time and date.....	79
5.3.5	Clock time shift limit .....	79
5.3.6	RTC Mode.....	79
5.3.7	Battery Use Time Counter.....	79
5.3.8	Battery Estimated Remaining Use Time Counter.....	80
5.4.	Activity calendar and TOU registration .....	80
5.4.1	Tariff program .....	80
5.4.2	Activity calendar.....	81
5.4.3	Special days.....	82
5.4.4	Register activation .....	83
5.4.5	Tariff synchronization.....	83
5.4.6	Currently active tariff .....	84
5.5.	Communication.....	84
5.5.1	Optical interface .....	84
5.5.2	P1 interface.....	88
5.5.3	M-Bus .....	92
5.5.4	GSM/GPRS communication module.....	101

5.5.5	Push setup .....	118
5.6.	Fraud detection.....	122
5.6.1	Meter cover open and terminal cover open.....	122
5.6.2	Magnetic field detection .....	122
5.7.	Meter programming .....	123
5.8.	Configuration program change .....	123
6.	Description of main meter functionalities.....	123
6.1.	Measurements.....	123
6.2.	Sequences .....	123
6.2.1	P1 port readout list.....	124
6.2.2	General display readout.....	124
6.2.3	Alternate display readout .....	124
6.3.	Load profile recorder .....	125
6.3.1	Profile.....	125
6.3.2	Profile status .....	126
6.4.	Billing profile recorder.....	127
6.4.1	End of billing period .....	128
6.4.2	End of billing period script table .....	128
6.4.3	Billing period counter .....	128
6.4.4	Data of billing period – Billing profile .....	128
6.5.	Event logs.....	129
6.5.1	Event code objects.....	130
6.5.2	Event log objects.....	130
6.5.3	Standard event log.....	131
6.5.4	Fraud detection event log.....	133
6.5.5	Power quality event log.....	134
6.5.6	Power failure event log .....	135
6.5.7	Communication event log.....	135
6.5.8	Certification data log .....	136
6.5.9	Disconnect control log .....	136
6.5.10	M-Bus event log.....	137
6.5.11	M-Bus control logs .....	138
6.6.	Alarms .....	139

6.6.1	Alarm system .....	139
6.6.2	Alarm codes .....	139
6.6.3	Alarm register.....	141
6.6.4	Alarm filter.....	141
6.6.5	Alarm status .....	141
6.6.6	Alarm descriptor.....	141
6.6.7	Alarm monitor.....	142
6.7.	Errors.....	142
6.7.1	Error register .....	142
6.7.2	Error filter .....	143
6.7.3	Error display filter .....	144
6.7.4	Error types .....	144
6.8.	Activity calendar and TOU registration .....	146
6.9.	Disconnect – Load switch.....	146
6.9.1	Disconnect type .....	149
6.9.2	Disconnect control .....	149
6.9.3	Disconnect control log.....	151
6.10.	Limitation.....	151
6.10.1	Limiter.....	151
6.10.2	Supervision monitor - IDIS.....	153
6.10.3	Supervision monitor - GIZ.....	155
6.11.	Identification numbers .....	157
6.11.1	COSEM Logical Device Name.....	157
6.11.2	System title .....	159
6.11.3	Device number .....	159
6.11.4	Device ID .....	159
6.11.5	Medium specific ID .....	160
6.11.6	Meter software identification .....	161
6.12.	Monitoring functions .....	162
6.12.1	Power quality .....	162
6.12.2	Reclosing counter.....	168
6.12.3	Watchdog counter.....	168
6.12.4	Cover opening counter .....	168

6.12.5	Breaker opening counter .....	168
6.13.	Security .....	168
6.13.1	Physical security .....	169
6.13.2	Logical security .....	170
7.	Technical characteristics .....	176
7.1.	ME382 meter .....	176
7.2.	MT382 meter .....	179

Index of Figures

Figure 1: Smart metering system .....	17
Figure 2: ME382 meter appearance – front view .....	20
Figure 3: ME382 meter appearance – bottom view .....	21
Figure 4: MT382 meter appearance – front view .....	22
Figure 5: MT382 meter appearance – bottom view.....	23
Figure 6: ME382 meter connection diagram – DIN connection .....	26
Figure 7: ME382 meter connection diagram – BS connection.....	26
Figure 8: MT382 meter connection diagram – direct connection .....	26
Figure 9: MT382 meter connection diagram – transformer operated meter .....	27
Figure 10: Measuring principle .....	27
Figure 11: Measured energy and demand .....	28
Figure 12: Demand calculation sample .....	29
Figure 13: Attributes in the case of block demand (1 period).....	29
Figure 14: Attributes in case of sliding demand .....	30
Figure 15: Calculation of demand over a known period with sliding window .....	31
Figure 16: Calculation of demand over a known period with sliding window .....	31
Figure 17: Time attributes when measuring sliding demand.....	32
Figure 18: Quadrant cross.....	39
Figure 19: Overall and fixing dimensions of the ME382 meter fitted with a long terminal cover .....	42
Figure 20: Overall and fixing dimensions of the ME382 meter fitted with a short terminal cover .....	42
Figure 21: Overall and fixing dimensions of an MT382 meter fitted with a long terminal cover.....	43
Figure 22: Overall and fixing dimensions of an MT382 meter fitted with a short terminal cover .....	43
Figure 23: Overall and fixing dimensions of the MT382 meter fitted with a disconnecter and a long terminal cover.....	44
Figure 24: Terminal cover for ME382 meter.....	46
Figure 25: Short terminal cover for MT382 meter .....	46
Figure 26: Long terminal cover for MT382 meter.....	47
Figure 27: Terminal cover for MT382 meter with disconnecter unit.....	47
Figure 28: Meter connection diagram on the inner side of the terminal cover .....	48
Figure 29: Positions of the seals at ME382 meter.....	49
Figure 30: Positions of the seals at MT382 meter.....	49
Figure 31: ME382 – DIN front plate.....	50
Figure 32: MT382-D1 front plate .....	50
Figure 33: MT382-D2 front plate .....	51
Figure 34: MT382-T1 front plate.....	51
Figure 35: Full Mx382 LCD – display fields.....	52
Figure 36: Characters represented on a display .....	53
Figure 37: LCD cursors .....	55
Figure 38: Displaying value with format “60“ .....	55
Figure 39: Displaying value with format “82“ .....	55
Figure 40: Displaying negative value with format “42“ .....	56
Figure 41: Displaying negative value with format “80“ .....	56
Figure 42: Displaying negative value with improper format “42“ according to register value .....	56
Figure 43: Ident format failed message.....	56
Figure 44: Tariff on display.....	58
Figure 45: Signature on display.....	59
Figure 46: LEDs at ME382 meter.....	59
Figure 47: LEDs at MT382 meter.....	60



Figure 48: <b>Reset</b> and <b>Scroll</b> key .....	60
Figure 49: Menu navigation diagram for reduced console .....	62
Figure 50: Entering the Data/Set menu .....	64
Figure 51: Data menu navigation .....	64
Figure 52: Set menu navigation.....	65
Figure 53: Manual-scroll mode navigation .....	66
Figure 54: Load profile on display navigation .....	67
Figure 55: LCD test mode navigation .....	68
Figure 56: Meter reset procedure .....	69
Figure 57: Sliding voltage bridge .....	70
Figure 58: Load control terminal.....	72
Figure 59: Relay state transitions .....	73
Figure 60: Service control terminal.....	74
Figure 61: Mx382 input terminals .....	76
Figure 62: Time and Date Data Format.....	78
Figure 63: Set date and time .....	79
Figure 64: Graphical tariff program .....	80
Figure 65: Optical interface .....	85
Figure 66: IEC optical port communication profile.....	85
Figure 67: COSEM/DLMS optical port communication profile .....	86
Figure 68: Diagram for connecting device to P1 port.....	88
Figure 69: P1 port connection .....	90
Figure 70: P1 port data string .....	92
Figure 71: M-Bus master-slave configuration and dongle interface.....	93
Figure 72: M-Bus channel model.....	93
Figure 73: Keys .....	96
Figure 74: Example for channel .....	96
Figure 75: M-Bus disconnect state diagram.....	99
Figure 76: State transitions during a successful call establishment procedure .....	105
Figure 77: GPRS connection establishment process.....	106
Figure 78: Destination_SAP and Source_SAP .....	108
Figure 79: IDIS client and server model .....	109
Figure 80: TCP/IP based COSEM communication profiles.....	114
Figure 81: The COSEM wrapper protocol data unit (WPDU).....	115
Figure 82: Auto connect operation in “Always ON“ modes during defined time window .....	116
Figure 83: Auto connect operation in modes 103 and 104 when a connection method is invoked....	116
Figure 84: Power down scenario 1 .....	120
Figure 85: Power down scenario 2.....	120
Figure 86: Power down scenario 3.....	121
Figure 87: Power down scenarion 4.....	121
Figure 88: Terminal cover opening switch.....	122
Figure 89: Event handling.....	129
Figure 90: Alarm reporting process .....	139
Figure 91: Error filtering.....	144
Figure 92: Disconnect for MT382-D1 .....	146
Figure 93: Disconnect for MT382-D2 .....	147
Figure 94: MT382 meter with disconnect .....	147
Figure 95: Disconnect state control diagram .....	148

Figure 96: Limiter diagram.....	152
Figure 97: Monitoring phase current with constant threshold parameter .....	157
Figure 98: COSEM Logical Device Name Structure .....	158
Figure 99: Identification Structure .....	161
Figure 100: Revision Number Structure .....	161
Figure 101a: Voltage sampling.....	163
Figure 101b: Voltage sampling.....	164
Figure 102: Voltage Asymmetry Calculation .....	166
Figure 103: Unexpected consumption.....	167
Figure 104: Intended neutral N-N' .....	167
Figure 105: Power fail example .....	168
Figure 106: Meter and Terminal cover tamper logging .....	169
Figure 107: Encryption and decryption procedure .....	171

Index of Tables

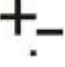
Table 1: All total and rate energy registers.....	28
Table 2: Last average demand registers.....	32
Table 3: Maximum demand registers – total .....	32
Table 4: List of metropulse output function enumeration .....	34
Table 5: Instantaneous voltage objects in the MT880 meter .....	36
Table 6: Peak and minimum values of voltage.....	36
Table 7: Average values of voltage .....	36
Table 8: Voltage levels .....	37
Table 9: Magnitude for voltage sags and swells .....	37
Table 10: Magnitude of last voltage sag and swell.....	37
Table 11: Instantaneous current objects .....	37
Table 12: Sliding average current .....	37
Table 13: Instantaneous net frequency object .....	38
Table 14: Instantaneous power objects.....	38
Table 15: Average power .....	38
Table 16: Instantaneous power factor objects.....	38
Table 17: Last average power factor.....	39
Table 18: Total energy objects .....	40
Table 19: Tariff energy registers .....	40
Table 20: Average demand objects.....	40
Table 21: Last demand objects .....	41
Table 22: Maximum demand objects .....	41
Table 23: MP configuration objects .....	41
Table 24: LCD cursors.....	54
Table 25: OBIS name abbreviation characters .....	57
Table 26: Error codes on display.....	57
Table 27: Use of keys – normal console menu type .....	63
Table 28: Key labels .....	63
Table 29: Display register codes .....	70
Table 30: Meter type designation .....	72
Table 31: Disconnect modes .....	74
Table 32: Input state control register .....	77
Table 33: Output state control register .....	77

Table 34: Output state control register .....	77
Table 35: Active tariff register .....	84
Table 36: RJ11 pins .....	89
Table 37: M-Bus disconnecter modes .....	99
Table 38: M-Bus alarms .....	101
Table 39: GSM status .....	104
Table 40: SMS centre address setting .....	107
Table 41: Auto answer SMS list allowed callers.....	108
Table 42: Push setup list .....	109
Table 43: Example of SMS PDU .....	111
Table 44: Concatenated SMS .....	112
Table 45: Modem reset triggers.....	113
Table 46: GSM status object bits B1 and B11 relation states and meaning .....	118
Table 47: List of profile statuses.....	127
Table 48: Event log objects .....	131
Table 49: List of events in the Standard event log .....	133
Table 50: List of events in the Fraud detection event log.....	134
Table 51: List of events in the Power quality event log .....	135
Table 52: List of events in the Communication event log.....	136
Table 53: List of events in the Disconnecter control log.....	137
Table 54: List of events in the M-Bus event log .....	138
Table 55: List of events in the M-Bus control log .....	138
Table 56: Alarm 1 codes (IDIS P1/P2) .....	140
Table 57: Alarm 2 codes (IDIS P2).....	141
Table 58: IDIS error codes register .....	143
Table 59: IE error codes register .....	143
Table 60: Disconnect transitions .....	148
Table 61: Disconnecter modes.....	150
Table 62: The IDIS Device Type Meaning .....	158
Table 63: The IDIS Function Type Meaning.....	158
Table 64: COSEM logical device name example 1 .....	158
Table 65: COSEM logical device name example 2.....	159
Table 66: Meaning of Revision Number Characters .....	162
Table 67: Dip & swell detection model .....	163
Table 68: Set of supported clients.....	172
Table 69: Supported authentication mechanism names .....	172
Table 70: Application context names .....	173
Table 71: Security suite .....	174

**Disclaimer**

Iskraemeco, d.d. reserves the right to change these document at any time without prior notice. No part of this document may be reproduced, stored or transmitted in any form whatsoever without prior written approval of Iskraemeco, d.d..

This document is for information only. The content of this document should not be construed as a commitment, representation, warranty, or guarantee for any method, product, or device by Iskraemeco,d.d.

**ISKRAEMECO**  and **ISKRA** are registered trademarks of Iskraemeco, d.d.. The contents of this document are the copyrighted (registered and unregistered) or trademarked property of Iskraemeco, d.d. and are protected under applicable trademark and copyright law. Unauthorized use may be subject to criminal and material liability.

## 1. Safety information

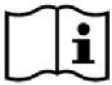
Safety information used in this user manual is described with the following symbols and pictographs:



**DANGER:** for a possibly dangerous situation, which could result in severe physical injury or fatality – attention to a high risk hazards.



**CAUTION:** for a possibly dangerous situation, which could result in minor physical injury or material damage - attention to a medium risk hazards.



**Operating instruction:** for general details and other useful information.

All safety information in this user manual describes the type and source of danger, its possible consequences and measures to avoid the danger.

### Responsibilities

The owner of the meter is responsible to assure that all authorized persons who work with the meter read and understand the parts of the User manual that explains the safe handling with the meter.

The personnel must be sufficiently qualified for the work that will be performed.

The personnel must strictly follow the safety regulations and operating instructions, written in the individual chapters in this User manual.

The owner of the meter respond specially for the protection of the persons, for prevention of material damage and for training of personnel.



**Safety measures should be observed at all times. Do not break the seals or open the meter at any time!**

### 1.1. Safety instructions



CAUTION: At the beginning of handling with the meter, the meter should be carefully taken out of the box where it was packed. This should prevent the meter from falling as well as any other external or internal damage to the device and personal injuries. Should such an incident occur despite all precautions, the meter may not be installed at the metering point as such damage may result in different hazards. In such case the meter needs to be sent back to the manufacturer for examination and testing.



CAUTION: The edges of the seal wires are sharp.



CAUTION: The temperature of the terminal block of the connected and operating meter may rise, therefore the temperature of the terminal cover may rise as well.



DANGER: In case of any damage inside the meter (fire, explosion...) do not open the meter.



CAUTION: The meter may be used only for the purpose of measurement for which it was produced. Any misuse of the meter will lead to potential hazards.




WARNING: Safety measures should be observed at all times. Do not break the seals or open the meter at any time!

The content of this User manual provides all information necessary for safe selection of MT382 meter.



See the complete User manual for detailed technical features of MT382 and its intended use.



It must be consulted in all cases where symbol  is marked in order to find out the nature of the potential hazards and any actions which have to be taken to avoid them.

The meter installation procedure is described in the Installation and maintenance manual. For safety reasons the following instructions should be followed.



Only the properly connected meter can measure correctly. Every connecting error results in a financial loss for the power company.



**DANGER:** The ME382 electricity meter is the device, connected to the power supply. Any unauthorized manipulation of the device is dangerous for life and prohibited according to the applicable legislation. Any attempt to damage the seals as well as any unauthorized opening of the terminal or meter cover is strictly forbidden.



**DANGER:** Breaking the seals and removing the terminal cover or meter cover will lead to potential hazards because there are live electrical parts inside.



**DANGER:** When switching on the power beware of the risk of electric shock at all times!



No maintenance is required during the meter's life-time. The implemented metering technique, built-in components and manufacturing process ensure high long-term stability of meters, so that there is no need for their recalibration during their life-time.



If a battery is built into the meter, its capacity is sufficient to backup all meter functions like RTC and tampering functions for its entire life-time.



In case the service of the meter is needed, the requirements from the Installation, operation and maintenance manual must be observed and followed.



**CAUTION:** Cleaning of the meter is allowed only with a soft dry cloth. Cleaning is allowed only in upper part of the meter – in region of the LCD. Cleaning is forbidden in the region of terminal cover. Cleaning can be performed only by the personnel, responsible for meter maintenance.



**CAUTION:** Do not try to erase the markings, laser printed on the name plate.



**DANGER:** Never clean soiled meters under running water or with high pressure devices. Penetrating water can cause short circuits. A damp cleaning cloth is sufficient to remove normal dirt such as dust. If the meter is more heavily soiled, it should be dismantled and sent to the responsible service or repair centre.



**CAUTION:** While dismantling the meter observe and follow the same safety regulations and instructions as for installation of the meter.



CAUTION: Visible signs of fraud attempt (mechanical damages, presence of a liquid, etc.) must be regularly checked. The quality of seals and the state of the terminals and connecting cables must be regularly checked. If there exist a suspicion of incorrect operation of the meter, the local utility must be informed immediately.



After the end of the meter's lifetime, the meter should be treated according to the Waste Electric and Electronic Directive (WEEE).

## 2. Energy metering and Mx382 meters

Mx382 family meters are designed for up to eight tariff measuring of active, reactive and apparent energy in one or two energy flow directions. The meter measures consumed energy in single-phase two-wire networks or three-phase four-wire network for direct or indirect connection.

Measuring and technical characteristics of the meter comply with the IEC 62052-11 and IEC 62053-21 international standards for electronic active energy meters, class 1 and 2, and reactive energy meters, classes 2 or 3 in compliance with IEC 62053-23 as well as a standard for time switches IEC 62052-21.

Meters are designed and manufactured in compliance with the standards and ISO 9001 as well as more severe Iskraemeco standards.

Meter utilizes the DLMS communication protocol in compliance with the IEC 62056-46 standard as well as IEC 62056-21, mode C protocol.

The Mx382 meters are members of the third generation of Iskraemeco electronic single and three-phase meters for a deregulated market of electric power, with the following common functional properties:

- Time-of-use measurement of active energy and maximum demand (in up to 8 tariffs),
- Load-profile registration,
- LCD in compliance with the VDEW specification, with two modes of data display,
- Internal real-time clock,
- Two keys: **Reset** and **Scroll** key,
- Optical port (IEC 62056-21 standard) for local meter programming and data downloading,
- Built-in interface (IR) and GSM/GPRS modem for a remote two-way communication, meter programming and data downloading,
- Wired M-Bus,
- Alarm input,
- Non-potential key input,
- Opto-MOS
  - switching functionality (for low current loads),
  - metropulse functionality (configurable energy pulses),
- Bi-stabile relay
  - switching external loads up to 6A,
  - external disconnecter functionality,
- Integrated disconnecter with 1-phase meters,
- External disconnecter with 3-phase meters (option).



Further to the Mx382 meters functionality they also enable:

- Detectors of the meter and the terminal block covers opening,
- Disconnector for remote disconnection / reconnection of the customer premises,
- M-Bus for reading other meters (heat, gas, water),
- Remote display ON/OFF configuration,
- Two different console type (reduced and normal),
- Third party disconnector driven through rele.

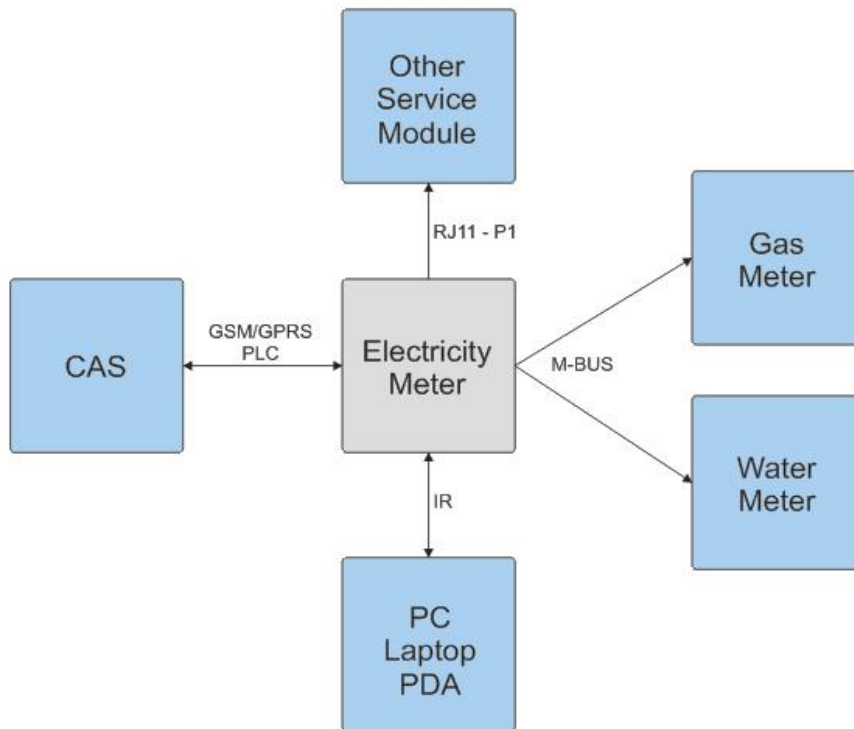


Figure 1: Smart metering system

### 3. Mx382 meters introduction

#### 3.1. Standards and references

EN 13757-1	Communication systems for meters and remote reading of meters Part 7: Data exchange.
EN 13757-2	Communication systems for meters and remote reading of meters Part 2: Physical and link Layer
EN 13757-3	Communication systems for meters and remote reading of meters Part 3: Dedicated application Layer
EN 13757-4	Communication systems for meters and remote reading of meters Part 4: Wireless meter readout (Radio Meter reading for operation in the 868-870 MHz SRD band)

IEC 62056-21	Data exchange for meter reading, tariff and load control - Direct local connection (3rd edition of IEC 61107)
IEC 62056-46	Electricity metering; Data exchange for meter reading, tariff and load control; Data link layer using HDLC-Protocol
IEC 62056-47	Electricity metering; Data exchange for meter reading, tariff and load control; COSEM transport layers for IPv4 networks
IEC 62056-53	Electricity metering; Data exchange for meter reading, tariff and load control COSEM Application Layer
IEC 62056-61	Electricity metering; Data exchange for meter reading, tariff and load control obis object identification system (OBIS)
IEC 62053-21	Electricity metering equipment; Particular requirements; Electronic meters for active energy (classes 1 and 2)
IEC 62053-23	Electricity metering equipment (AC.); Particular requirements; Static meters for reactive energy (classes 2 and 3)
IEC 62052-11	Electricity metering equipment (AC.): General requirements, tests and test conditions - Metering equipment
IEC 62052-21	Electricity metering equipment (AC.) General requirements, tests and test conditions - Tariff and load control equipment
IEC 61334-4-32	Distribution automation using distribution line carrier systems - Data communication protocols - Data link layer - Logical link control (LLC)
IEC 61334-4-512	Distribution automation using distribution line carrier systems - Data communication protocols - System management using profile 61334-5-1 - Management Information Base (MIB)
IEC 61334-5-1	Distribution automation using distribution line carrier systems - Lower layer profiles - The spread frequency shift keying (S-FSK) profile
ISO/IEC 8802.2	Information technology - Telecommunications and information exchange between systems - Local and metropolitan area networks - Specific requirements; Logical link control
RFC 1321	MD5 Message-Digest Algorithm
RFC 1332	The Internet Protocol Control Protocol (IPCP)
RFC 1570	PPP Link Control Protocol (LCP) Extensions
RFC 1661	Standard 51, The Point-to-Point Protocol (PPP)
RFC 1662	Standard 51, PPP in HDLC-like Framing

RFC 1700                   Assigned Numbers

RFC 2507                   IP Header Compression

RFC 3241                   Robust Header Compression

FIPS PUB 180-1            Secure Hash Algorithm

IEC 60529                 Degrees of protection provided by enclosures (IP code)

COSEM Blue Book 10<sup>th</sup> Edition, DLMS UA 1000-1:2010, Ed. 10.0, 2010-08-26

COSEM Green Book 7<sup>th</sup> Edition, DLMS UA 1000-2:2010, Ed. 7.0, 209-12-22

IDIS Package 2 IP Profile ed. 1.0.docx

Iskraemeco technical notes

IDIS - object model - V2.10 (20120823).xlsx

VDEW- specification for "Electronic Meters with load curve" Version 2.1.2 i7th November 2003

IP Header Compression over PPP

### 3.2. Mx382 meter appearance

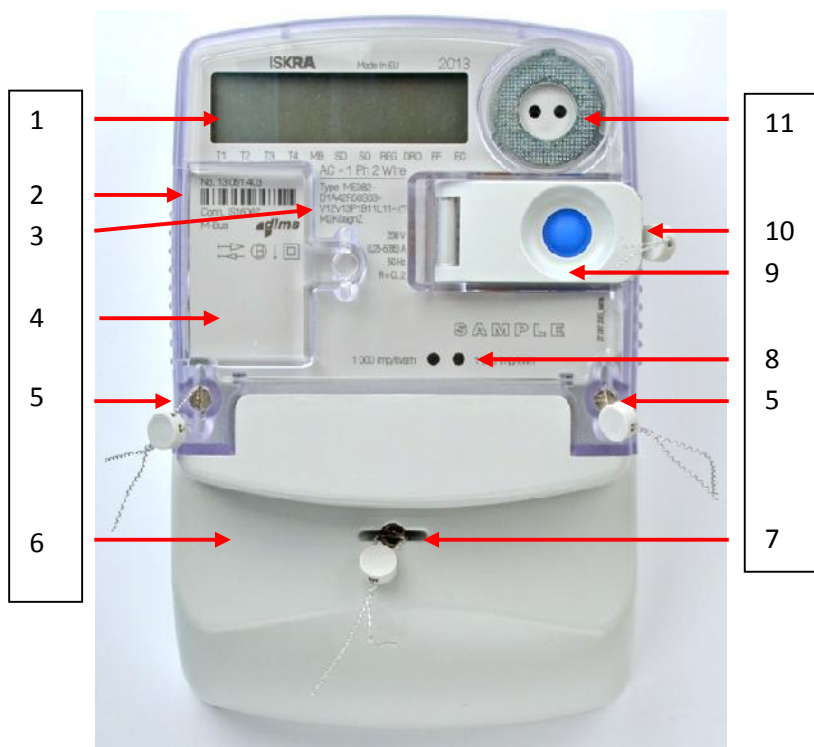


Figure 2: ME382 meter appearance – front view

Item	Description
1	Liquid crystal display (LCD)
2	Meter serial number
3	Meter technical data
4	Coupling circuit
5	Meter cover sealing screw
6	Terminal cover
7	Terminal cover sealing screw
8	Right side – Active energy Impulse LED Left side – Reactive energy Impulse LED
9	<b>Scroll</b> and <b>Reset</b> keys
10	Lid sealing screw
11	IR optical interface



Figure 3: ME382 meter appearance – bottom view

Item	Description
1	SIM card holder
2	Switch for detection of terminal cover opening
3	Screw for fitting current cables
4	Additional voltage terminals (option)
5	Current terminals
6	Neutral terminals
7	Auxiliary terminals (Load control output, M-Bus communication interface)
8	Alarm input
9	Non-potential key input
10	Port P1

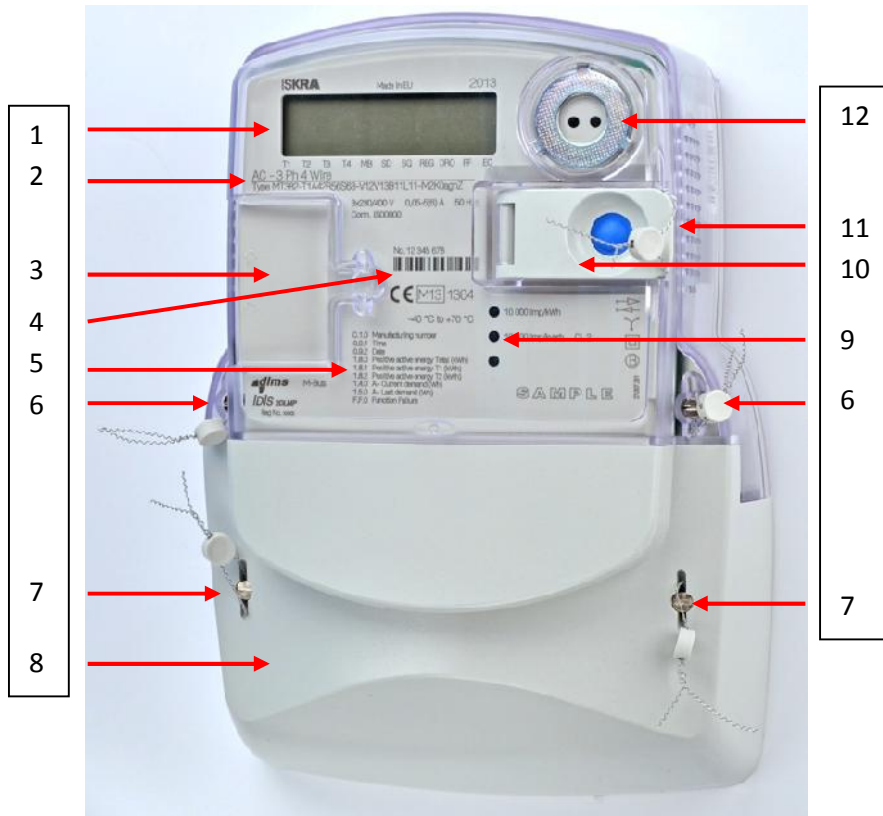


Figure 4: MT382 meter appearance – front view

Item	Description
1	LCD display
2	Meter technical data
3	Coupling circuit
4	Meter serial number
5	Legend of registers displayed on LCD
6	Meter cover sealing screws
7	Terminal cover sealing screws
8	Terminal cover
9	Upper – Active energy Impulse LED
	Middle – Reactive energy Impulse LED
	Lower – GSM status LED
10	Scroll and Reset keys
11	Lid sealing screw
12	IR optical interface



Figure 5: MT382 meter appearance – bottom view

Item	Description
1	Port P1
2	SIM card holder
3	Screw for fitting current cables
4	Current terminals
5	Neutral terminals
6	Auxiliary terminals (Load control output, M-Bus communication interface)
7	Additional voltage terminals
8	Switch for detection of terminal cover opening
9	Connector for disconnector unit
10	Non-potential key
11	Alarm input

### 3.3. Main meter properties

- Active energy and demand meter of accuracy class 1 or 2 (in compliance with IEC 62053-21).
- Reactive energy and demand meter of accuracy class 2 or 3 (in compliance with IEC 62053-23).
- Apparent energy meter of accuracy class 2 or 3.
- Modes of energy measurement and registration (single-phase meters):
  - For one-way energy flow direction,
  - For two-way energy flow direction,
  - For two-way energy flow direction but registered in one (absolute) register.
- Modes of energy measurement and registration (three-phase meters):
  - For one-way energy flow direction, three-phase energy is algebraic (arithmetical) sum of energies registered, in each of the phases – meters are equipped with an electronic reverse running stop,
  - For two-way energy flow direction, three-phase energy is algebraic (arithmetical) sum of energies registered in each of the phases,
  - For one-way energy flow direction, three-phase energy is sum of absolute values of energies registered in each of the phases.
- Meter quality:
  - Due to high accuracy and long term stability of metering elements no meter re-calibration over its life-time is required,
  - High meter reliability,
  - High immunity to EMC.
- Additional meter functions:
  - Detection of missing/broken neutral conductor,
  - Detection of phase and voltage unbalance,
  - Measurement and registration of under- and over-voltage,
  - Daily peak and minimum value.
- Time-of-use registration (up to 8 tariffs): Tariffs change-over; internal RTC (by IEC 61038).
- Two Load-profile recorders.
- Communication channels:
  - Infrared optical port (IEC 62056-21) for local meter programming and data downloading,
  - Built-in GSM/GPRS modem,
  - Built-in M-Bus communication interface,
  - Built-in RJ11 communication interface (one way).
- LCD: In compliance with the VDEW specification.
- Data display modes (configurable):
  - Reduced type:
    - Automatic cyclic data display (10 sec display time),
    - Manual data display mode (by pressing the [Scroll](#) key).
  - Normal type (according to VDEW):
    - Automatic cyclic data display mode,
    - Manual data display mode,
    - Load profile 1 (configurable),
    - Load profile 2 (configurable).
- Indicators:
  - LCD:
    - Presence of phase voltages L1, L2, L3,
    - Phase currents flow direction,
    - Active tariff at the moment,
    - Status of a disconnecter,
    - Communication status,
    - Meter network status
    - Critical error status (Fatal Fault),
    - Status of at least one M-Bus device installed in meter,



- Status of DRO in progress.
- LED1: Imp/kWh.
- LED2: Imp/kVAh or Imp/kVAh.
- Communication protocols:
  - Optical port: IEC 62056 – 21, mode C or DLMS (in compliance with IEC 62056 – 46),
  - Identification system; IEC 62056 – 61,
  - COSEM organization of data: IEC 62056-53,
  - M-Bus: EN 13757-2 and EN 13757-3.
- OBIS data identification code: IEC 62056–61.
- Auxiliary inputs / outputs:
  - Output for load control with a 6A relay,
  - Output for load control with an OptoMOS relay,
  - Alarm input,
  - External key input,
  - M-Bus interface to which up to 4 gas, heat or water meters can be connected,
  - Active disconnecter output (MT382).
- Automatic configuration of an AMR system: Meters are registered automatically into an AMR system.
- Programming of the meter as well as FW upgrade can be done locally (via an optical port) or remotely in compliance with the predefined security levels.
- Detection of opening meter and terminal block covers.
- Simple and fast meter installation.
- Current terminals:
  - Make good contact with current conductors regardless of their design and material,
  - Do not damage conductors.
- Voltage terminals:
  - Internal and/or external connection,
  - A sliding bridge (for simple separation of a voltage part from a current part) (only at direct connected meters). The sliding bridges can be accessible when terminal cover is removed, or they can be hidden under the meter cover.
- Compact plastic meter case:
  - Made of high quality self-distinguishing UV stabilized material that can be recycled,
  - IP54 protection against dust and water penetration (by IEC 60529).

### 3.4. Mx382 meter connection into the network

The meter connection diagrams for Mx382 meters are shown on the following four Figures:

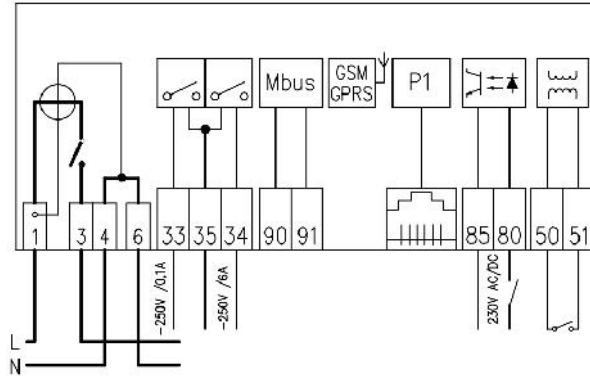


Figure 6: ME382 meter connection diagram – DIN connection

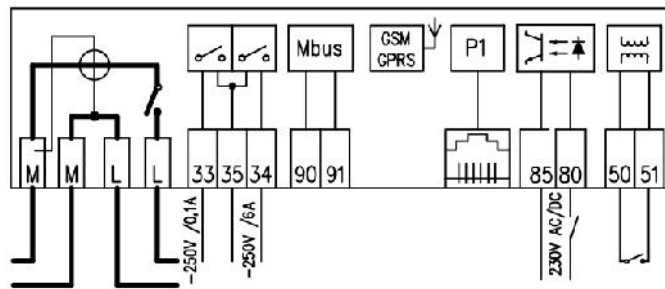


Figure 7: ME382 meter connection diagram – BS connection

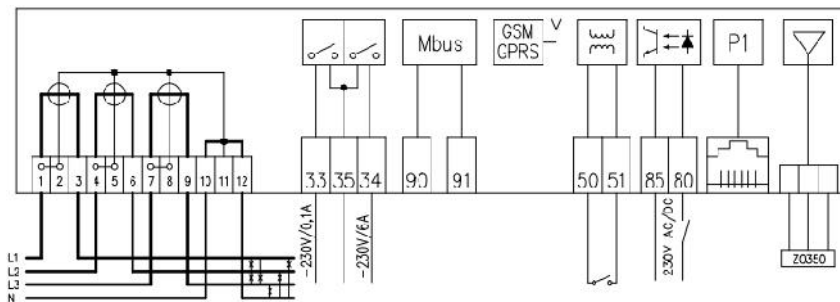


Figure 8: MT382 meter connection diagram – direct connection

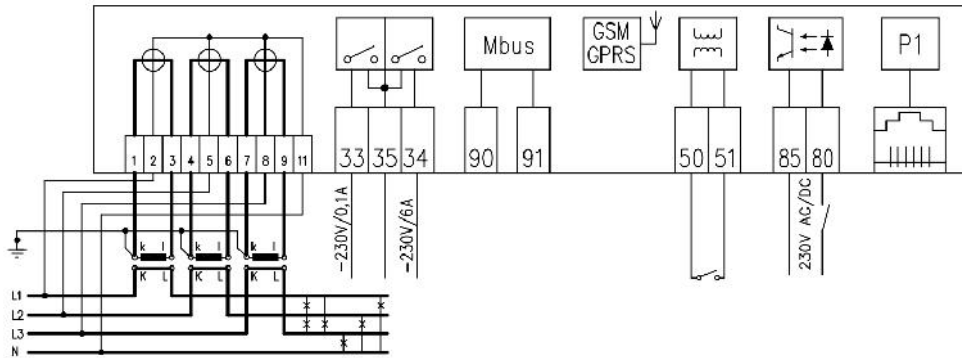


Figure 9: MT382 meter connection diagram – transformer operated meter

### 3.5. Energy and demand registration

The meter measures and records electric energy:

- Single-phase two wire,
- Three-phase four-wire networks:
  - total ( $\sum Li$ ),
  - positive and negative active energy (A+, A-) separately,
  - reactive energy per quadrants (QI, QII, QIII, QIV),
  - positive and negative reactive energy (Q+, Q-) separately ( $Q+=QI+QII$ ,  $Q-=QIII+QIV$ ),
  - positive and negative apparent energy (S+, S-) separately,
  - absolute active energy  $|A|$ .

Meters are provided with two LEDs on the front plate. They are intended for checking the meter accuracy. Impulse constant depends on the meter version.

Power is measured inside a measuring period. The measuring period is a meter parameter and can be set. Values that can be set are 1, 5, 10, 15, 30 and 60 minutes. After termination of the measuring period, the measured meter value is transferred from current measuring period registers to registers for previous measuring period that can be later used for the formation of billing values.

Values are recorded for each tariff and stored in corresponding tariff register from 1 to 8.

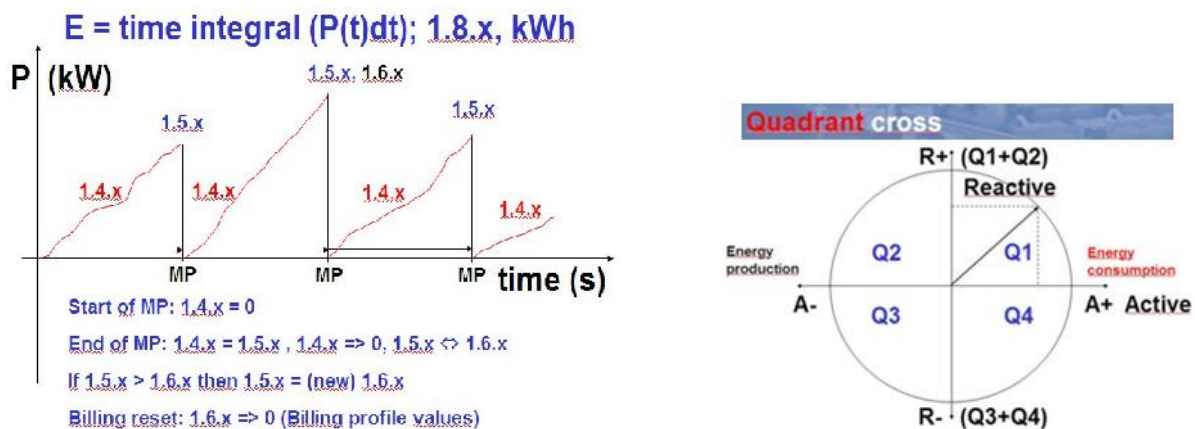


Figure 10: Measuring principle

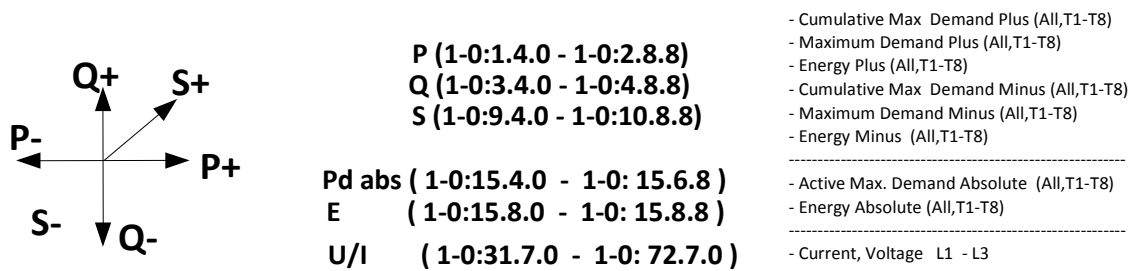


Figure 11: Measured energy and demand

### 3.5.1 Energy

Electrical meter energy is accumulated in respective registers (A+ or A-) until 1 Wh is reached thus energy measurement is carried out in latter unit. Default representation of the energy values on display is in kWh with 6 digits without decimals. This representation can be changed via communication interfaces writing appropriate string in COSEM objects as shown console description (see console section). Nevertheless full value with each Wh counted could be obtained through communication interfaces in form of value, unit and scaler.

The micro-computer records different types of energy (active, reactive, apparent) for all phases in one or more tariffs (rates) and stores these values in various registers according to energy direction and active tariff (rates).

Several energy types (A+, A-, Q+, Q-, QI, QII, QIII, QIV, S+, S-, ABS and NET) are registered as total register value and rate register values.

	total	tariff
<b>A+</b>	1.8.0	1.8.e
<b>A-</b>	2.8.0	2.8.e
<b>Q+</b>	3.8.0	3.8.e
<b>Q-</b>	4.8.0	4.8.e
<b>QI</b>	5.8.0	5.8.e
<b>QII</b>	6.8.0	6.8.e
<b>QIII</b>	7.8.0	7.8.e
<b>QIV</b>	8.8.0	8.8.e
<b>S+</b>	9.8.0	9.8.e
<b>S-</b>	10.8.0	10.8.e
<b>ABS = IA+I + IA-I</b>	15.8.0	15.8.e
<b>NET = IA+I - IA-I</b>	16.8.0	/

<e> is used as tariff index from 1 to 8

Table 1: All total and rate energy registers

### 3.5.2 Demand

Meter calculates an average demand in a time interval as a quotient of registered energy during measurement period and elapsed time  $T_d$ :

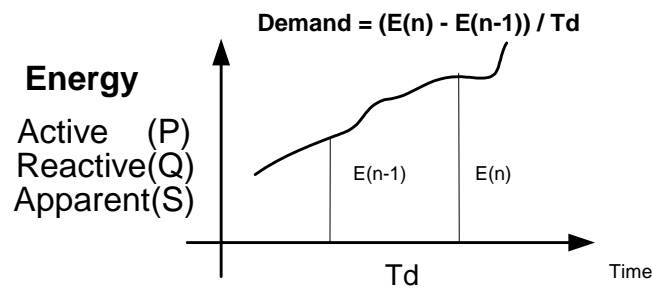


Figure 12: Demand calculation sample

After completion of the measuring period, average value is stored to the register for previous measuring period and compared with highest maximum value stored in the relevant register (x.6.y). If new value is larger it is stored as new maximum value at corresponding position. At the same time, timestamp is stored representing the time conclusion of measuring period.

At the end of billing period demand registers (x.4.0, x.5.0, and x.6.y) are recorded and stored prior to being set back to zero when new period starts.

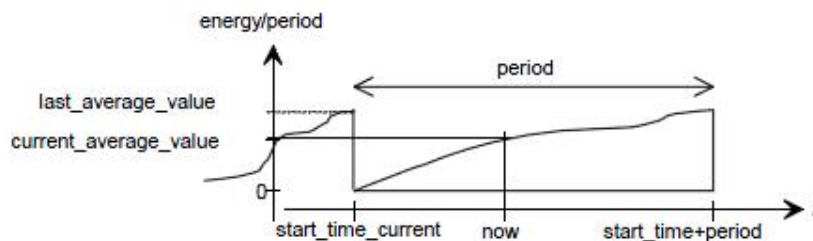


Figure 13: Attributes in the case of block demand (1 period)

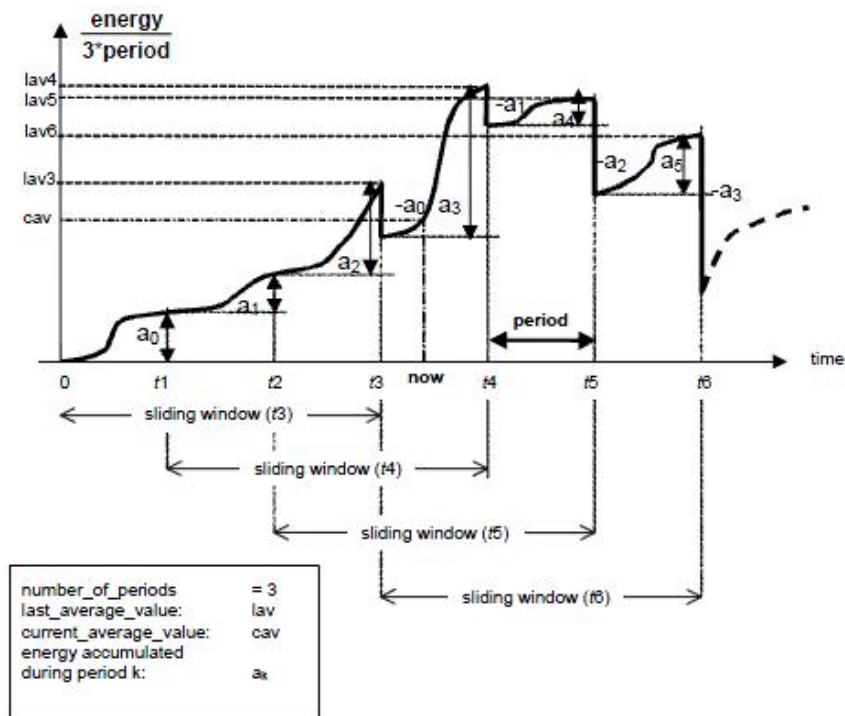


Figure 14: Attributes in case of sliding demand

### 3.5.2.1. Demand according to averaging scheme 3

Averaging scheme 3 is realized with sliding window of known size. The size is determined with two parameters. First is the number of periods considered while the second is the duration of the period.

Interface consists of two distinctive registers. First represents current average while the second resembles last average.

#### Last average

Provides the value of the energy accumulated over the last time interval divided by duration of the time interval. The energy of the current (not terminated) period is not considered by the calculation.

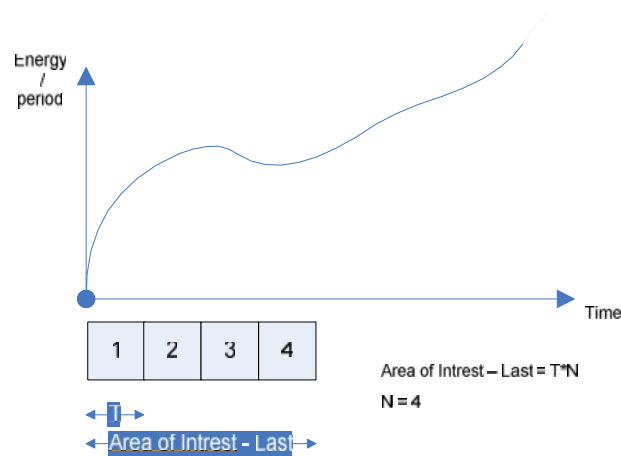


Figure 15: Calculation of demand over a known period with sliding window

**Current Average**

This attribute provides the current value (running demand) of the energy accumulated over area of interest – Current time interval.

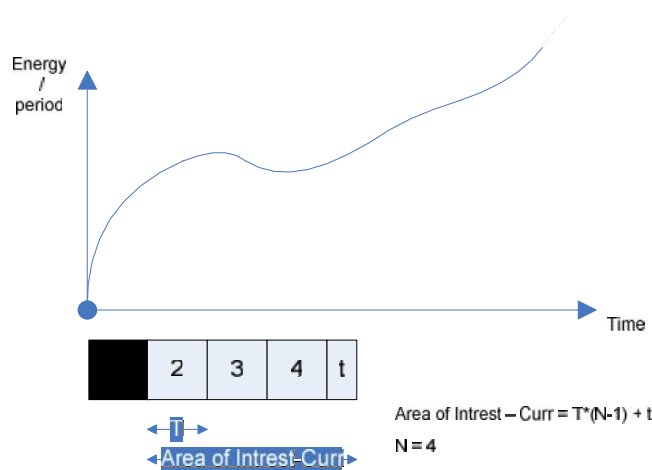


Figure 16: Calculation of demand over a known period with sliding window

**3.5.2.2. Sliding demand registers**

COSEM Demand Register class allows modeling values, with its associated scaler, unit, status and time information.

A “Demand register” object measures and computes a current\_average\_value periodically, and stores last\_average\_value. The time interval T over which the demand is measured or computed is defined by specifying number\_of\_periods and period attributes. The figure below presents how time attributes are ment to be used with the Demand register class.

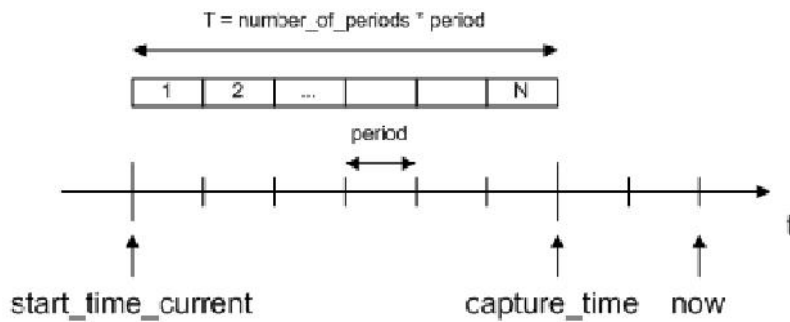


Figure 17: Time attributes when measuring sliding demand

### 3.5.2.3. Other demand registers

In addition to sliding demand registers Mx382 meter also has other demand measuring registers.

#### Last average Demand Registers

Last demand registers (x.5.0) represent same values as attribute 3 of average demand registers. They are stored as separate registers for possible display on LCD.

	SUM	tariff
A+	1.5.0	x
A-	2.5.0	x
Q+	3.5.0	x
Q-	4.5.0	x
S+	9.5.0	x
S-	10.5.0	x
ABS = IA+I + IA-I	15.5.0	x

Table 2: Last average demand registers

#### Maximum Demand Registers (total)

Maximum demand registers represent the biggest CAV (Current Average Value) from average demand registers, measured in one period. At the end of each measurement period, CAV from x.4.0 register (attribute 2) is compared to maximum demand value – if CAV is bigger, it replaces the value stored in maximum demand register. Maximum demand values are set to 0 at the end of billing period. COSEM Extended register class is used for maximum demand registers. Houdini meter provides 63 total demand registers:

	SUM	tariff
A+	1.6.0	1.6.e
A-	2.6.0	2.6.e
Q+	3.6.0	3.6.e
Q-	4.6.0	4.6.e
S+	9.6.0	9.6.e
S-	10.6.0	10.6.e
ABS = IA+I + IA-I	15.6.0	15.6.e

<e> is used as tariff index from 1 to 8

Table 3: Maximum demand registers – total



### 3.5.2.4. Time management

Whenever time in meter (meter clock) is changed it comes to one of two possible events – time change or time synchronization.

Time synchronization is treated whenever the difference between new and old time does not exceed certain thresholds. For demand registers those thresholds are:

- time\_set\_threshold in object Clock time shift limit (1-0:0.9.11.255),
- time shift is smaller than 1% of respective measurement period but no bigger than 9s (VDEW).

Time synchronization event has no effect on demand registers, because time change is too small. Nevertheless if more than one time synchronization per measurement period occurs, every second synchronization is treated as appropriate time change (second time synchronization forward/backward is treated as time change forward/backward).

If the above mentioned thresholds are exceeded, time change is treated by meter. All time change use cases are presented in next chapter.

## 3.6. Measurement principle

One (ME382) or three (MT382) metering elements can be built in the meter. The current sensor for MT382 meters is Rogowsky coil (a current transformer with an air core) and shunt for ME382 meter, while voltage sensor is a resistive voltage divider. Signals of currents and voltages are fed into the A/D converters and there further processed.

### 3.6.1 Energy LED impulse output

There are two metrological LED's on the meter (See Chapter: 4.4.1)

- Active LED,
- Reactive LED / Apparent LED.

LED pulse blink duration is 30ms.

### 3.6.2 Energy METRO pulse output

OptoMOS output can be used as metrological output. To enable metrological output there is the service control functionality object used.

These objects are used to configure energy constants for metrological outputs.

Metrological output constants are used for the following energies:

- Absolute active energy output,
- Absolute reactive energy output,
- Absolute apparent energy output.

If the value in the register is 0 or higher than 1000000 the metropulse output is disabled otherwise the metropulse output is enabled and switching (connected/disconnected) according to the constant selected and energy consumption (impulse/unit).

Metropulse output functions enumeration:

Enumeration	IO Function	Description
0	NONE	No function is assigned to the metropulse output
23	absAA	Pulse output for absolute A
26	absRA	Pulse output for absolute R
33	absSA	Pulse output for absolute S

Table 4: List of metropulse output function enumeration

Only above specified metropulse output functions are allowed, maximal pulse duration value is 200 ms while minimal pulse duration value is 30ms.



For effective use of functionalities, meter must be properly configured.

### 3.6.2.1. Transformer measurement type

This object defines if current transformer ratios will be used in measuring process or not (only for transformer type MT382 meters). Options are:

- Transformer ratio is not used (for direct connection) – secondary measurement – (0),
- Transformer ratio is used (for transformer connection) – primary measurement – (1).

### 3.6.2.2. Transformer ratio

1-0:4.0.e

<e>: 2 – Current (numerator),  
5 – Current (denominator).

Transformer ratios are used to configure meter where results on the secondary side need to be different (lower) than on the primary side (only for transformer type MT382 meters). For correct results constant K on the secondary side must be also considered. Constant K is the correction factor between secondary side and primary side.

$K = \text{Current Numerator} / \text{Current Denominator}$

Primary current = Secondary current \* K



For effective use of functionalities, meter must be properly configured.

### 3.6.3 Measured quantities

Quantities that can be measured by Mx382 meter are:

- Active energy/demand: instantaneous values,
- Reactive energy/demand: instantaneous values, values per quadrant,
- Apparent energy/demand: instantaneous values,
- Last average demand – active, reactive, apparent,
- Maximum demand register – active, reactive, apparent,
- Average import, net and total power,
- Average voltage daily peak/minimum,
- Average voltage,
- Voltage levels per phase,
- Magnitude of last voltage sag and swell per phase,
- Instantaneous voltage,
- Instantaneous current,
- Sliding average current per phase,
- Daily peak/minimum voltage per phase,
- Instantaneous network frequency,
- Instantaneous power factor, per phase,
- Last average power factor.

#### 3.6.3.1. Measurement period

There are two measurement periods in use. Measurement period 1 (MP1) is used for demand measurements (recommended periods are 300s, 900s, 1800s and 3600s), measurement period 3 (MP3) is used for energy and power limits.



For effective use of functionalities, meter must be properly configured.

#### 3.6.3.2. Average values

- Average voltage,
- Average daily peak and minimum voltage,
- Voltage levels,
- Voltage sags and swells,
- Sliding average current,
- Last average power factor,
- Total energy values,
- Tariff energy values,
- Average power,
- Average demand,
- Last average demand,
- Maximum demand.

### 3.6.3.3. Instantaneous values

- Instantaneous voltage,
- Daily peak and minimum voltage,
- Instantaneous current,
- Instantaneous current – sum of all three phases,
- Instantaneous net frequency,
- Instantaneous power,
- Instantaneous power factor.

## 3.6.4 Voltage

### 3.6.4.1. Instantaneous voltage

Instantaneous voltage is measured in the meter every 100ms.

	L1	L2	L3
Instantaneous voltage	32.7.0	52.7.0	72.7.0

Table 5: Instantaneous voltage objects in the MT880 meter

### 3.6.4.2. Daily peak and minimum values

	L1	L2	L3
Daily peak voltage (current)	128.8.10	128.8.20	128.8.30
Daily peak voltage (previous)	128.8.11	128.8.21	128.8.31
Daily minimum voltage (current)	128.8.12	128.8.22	128.8.32
Daily minimum voltage (previous)	128.8.13	128.8.23	128.8.33

Table 6: Peak and minimum values of voltage

### 3.6.4.3. Average voltage

	ALL	L1	L2	L3
Average voltage		32.24.0	52.24.0	72.24.0
Average voltage daily peak (current)	128.8.0	x	x	x
Average voltage daily peak (previous)	128.8.1	x	x	x
Average voltage daily minimum (current)	128.8.2	x	x	x
Average voltage daily minimum (previous)	128.8.3	x	x	x

Table 7: Average values of voltage

### 3.6.4.4. Voltage levels

	ANY	L1	L2	L3
Level 1: $U > +10\%$	128.7.41	128.7.11	128.7.21	128.7.31
Level 2: $+5\% < U < +10\%$	128.7.42	128.7.12	128.7.22	128.7.32

Level 3:  $0\% < U < +5\%$   
 Level 4:  $-5\% < U < 0\%$   
 Level 5:  $-10\% < U < -5\%$   
 Level 6:  $-15\% < U < -10\%$   
 Level 7:  $U < -15\%$

128.7.43	128.7.13	128.7.23	128.7.33
128.7.44	128.7.14	128.7.24	128.7.34
128.7.45	128.7.15	128.7.25	128.7.35
128.7.46	128.7.16	128.7.26	128.7.36
128.7.47	128.7.17	128.7.27	128.7.37

Table 8: Voltage levels

### 3.6.4.5. Voltage sags and swells

	<b>ANY</b>
Magnitude for voltage sag	12.34.0
Magnitude for voltage swell	12.38.0

Table 9: Magnitude for voltage sags and swells

	<b>L1</b>	<b>L2</b>	<b>L3</b>
Magnitude of last voltage sag	32.34.0	52.34.0	72.34.0
Magnitude of last voltage swell	32.38.0	52.38.0	72.38.0

Table 10: Magnitude of last voltage sag and swell

## 3.6.5 Current

### 3.6.5.1. Instantaneous current

Instantaneous current is measured in the meter every 100ms.

	<b>SUM</b>	<b>L1</b>	<b>L2</b>	<b>L3</b>
Instantaneous current	90.7.0	31.7.0	51.7.0	71.7.0

Table 11: Instantaneous current objects

### 3.6.5.2. Sliding average current

	<b>L1</b>	<b>L2</b>	<b>L3</b>
Sliding average current	31.4.0	51.4.0	71.4.0

Table 12: Sliding average current

### 3.6.6 Net frequency

#### 3.6.6.1. Instantaneous net frequency

	<b>Any phase</b>
<b>Instantaneous net frequency</b>	14.7.0

Table 13: Instantaneous net frequency object

### 3.6.7 Power

#### 3.6.7.1. Instantaneous power

	<b>SUM</b>
<b>A+</b>	1.7.0
<b>A-</b>	2.7.0
<b>Q+</b>	3.7.0
<b>Q-</b>	4.7.0
<b>S+</b>	9.7.0
<b>S-</b>	10.7.0
<b>ABS = IA+I + IA-I</b>	15.7.0

Table 14: Instantaneous power objects

#### 3.6.7.2. Average power

	<b>SUM</b>
<b>A+</b>	1.24.0
<b>ABS = IA+I + IA-I</b>	15.24.0
<b>NET = IA+I - IA-I</b>	16.24.0

Table 15: Average power

### 3.6.8 Power factor

#### 3.6.8.1. Instantaneous power factor

	<b>SUM</b>	<b>L1</b>	<b>L2</b>	<b>L3</b>
<b>Instantaneous power factor +</b>	13.7.0	33.7.0	53.7.0	73.7.0

Table 16: Instantaneous power factor objects

### 3.6.8.2. Last average power factor

	<b>SUM</b>
Last average power factor +	13.5.0

Table 17: Last average power factor

### 3.6.9 Energy

In all connection variants meter provides following energy values:

- positive and negative active energy (A+, A-), sum of all phases,
- positive and negative reactive energy (R+, R-), sum of all phases,
- quadrant reactive energy (QI, QII, QIII, QIV), sum of all phases,
- positive and negative apparent energy (S+, S-), sum of all phases,
- absolute active energy ( $|A+| + |A-|$ ), sum of all phases,
- net active energy ( $|A+| - |A-|$ ), sum of all phases.

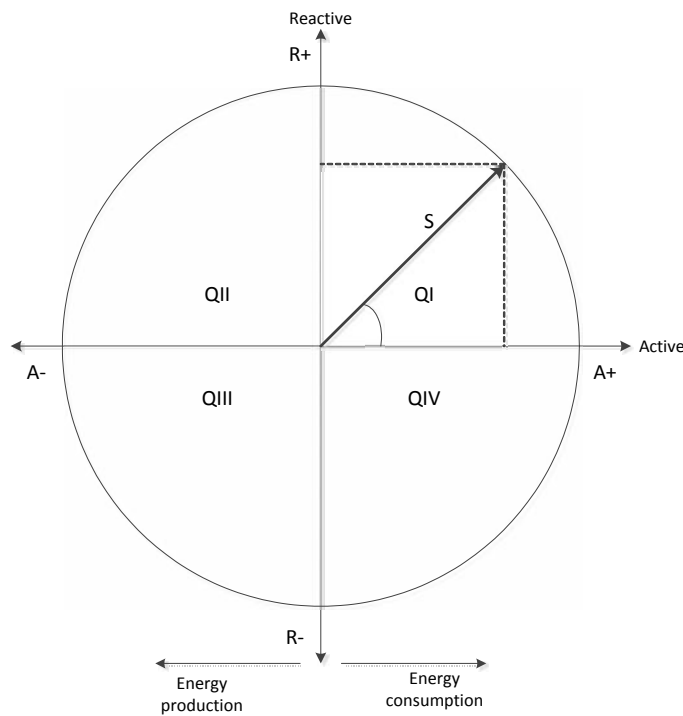


Figure 18: Quadrant cross

Positive and negative reactive energy/power can be registered as  $Q+ = QI + QII$  and  $Q- = QIII + QIV$ .

Besides total registration, Mx382 meter provides up to 8 tariffs for energy and demand registration.

Related to energy accumulation in time, Mx382 meter provides the following energy values:

- total values,
- tariff values.

3.6.9.1. Total energy values

	SUM
A+	1.8.0
A-	2.8.0
Q+	3.8.0
Q-	4.8.0
QI	5.8.0
QII	6.8.0
QIII	7.8.0
QIV	8.8.0
S+	9.8.0
S-	10.8.0
<b>ABS = IA+I + IA-I</b>	15.8.0
<b>NET = IA+I - IA-I</b>	16.8.0

Table 18: Total energy objects

3.6.9.2. Tariff energy values

	Total tariff
A+	1.8.e
A-	2.8.e
Q+	3.8.e
Q-	4.8.e
QI	5.8.e
QII	6.8.e
QIII	7.8.e
QIV	8.8.e
S+	9.8.e
S-	10.8.e
<b>ABS = IA+I + IA-I</b>	15.8.e

<e> is used as tariff index from 1 to 8

Table 19: Tariff energy registers

3.6.9.3. Average demand

	SUM
A+	1.4.0
A-	2.4.0
Q+	3.4.0
Q-	4.4.0
S+	9.4.0
S-	10.4.0
<b>ABS = IA+I + IA-I</b>	15.4.0

Table 20: Average demand objects



### 3.6.9.4. Last average demand

	SUM
A+	1.5.0
A-	2.5.0
Q+	3.5.0
Q-	4.5.0
S+	9.5.0
S-	10.5.0
<b>ABS = IA+I + IA-I</b>	<b>15.5.0</b>

Table 21: Last demand objects

### 3.6.9.5. Maximum demand

	SUM	Tariff
A+	1.6.0	1.6.e
A-	2.6.0	2.6.e
Q+	3.6.0	3.6.e
Q-	4.6.0	4.6.e
S+	9.6.0	9.6.e
S-	10.6.0	10.6.e
<b>ABS = IA+I + IA-I</b>	<b>15.6.0</b>	<b>15.6.e</b>

<e> is used as tariff index from 1 to 8

Table 22: Maximum demand objects

## 3.6.10 Measurement period parameterization

Measurement period can be manipulated with settings in measurement period parameterization objects:

<b>Measurement period 1</b>	0.8.0
<b>Measurement period 3</b>	0.8.2

Table 23: MP configuration objects

## 4. Meter construction

### 4.1. Technical figures and dimensions

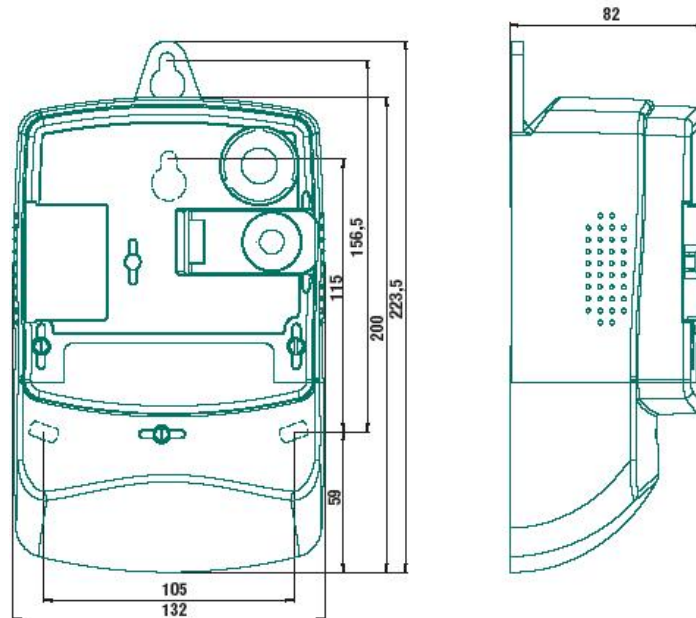


Figure 19: Overall and fixing dimensions of the ME382 meter fitted with a long terminal cover

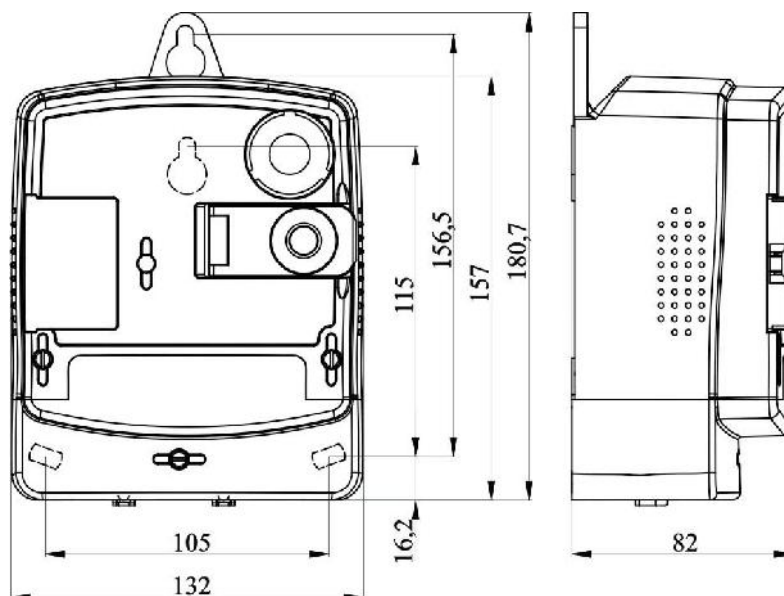


Figure 20: Overall and fixing dimensions of the ME382 meter fitted with a short terminal cover

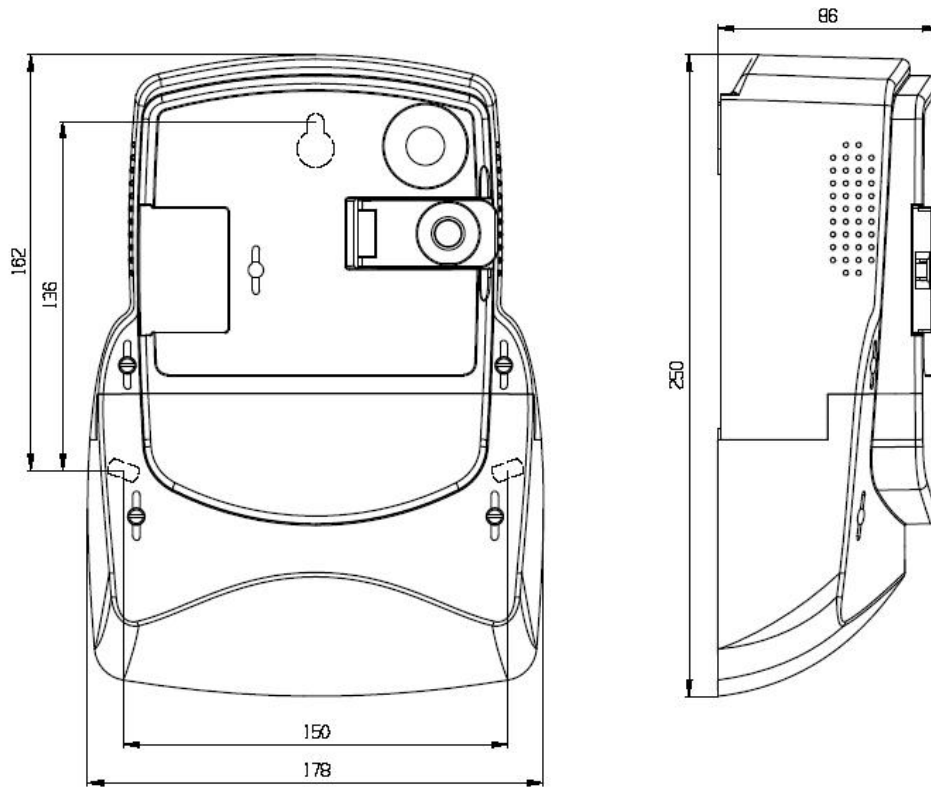


Figure 21: Overall and fixing dimensions of an MT382 meter fitted with a long terminal cover

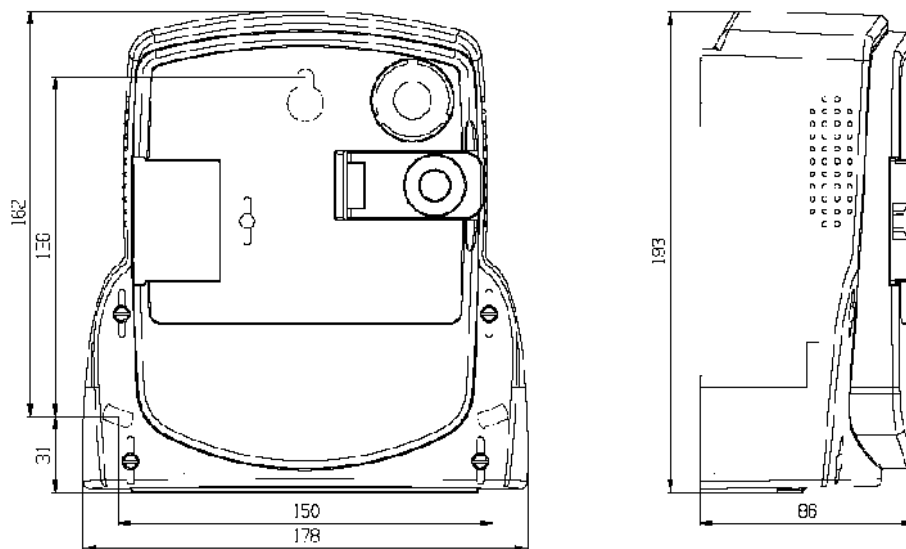


Figure 22: Overall and fixing dimensions of an MT382 meter fitted with a short terminal cover

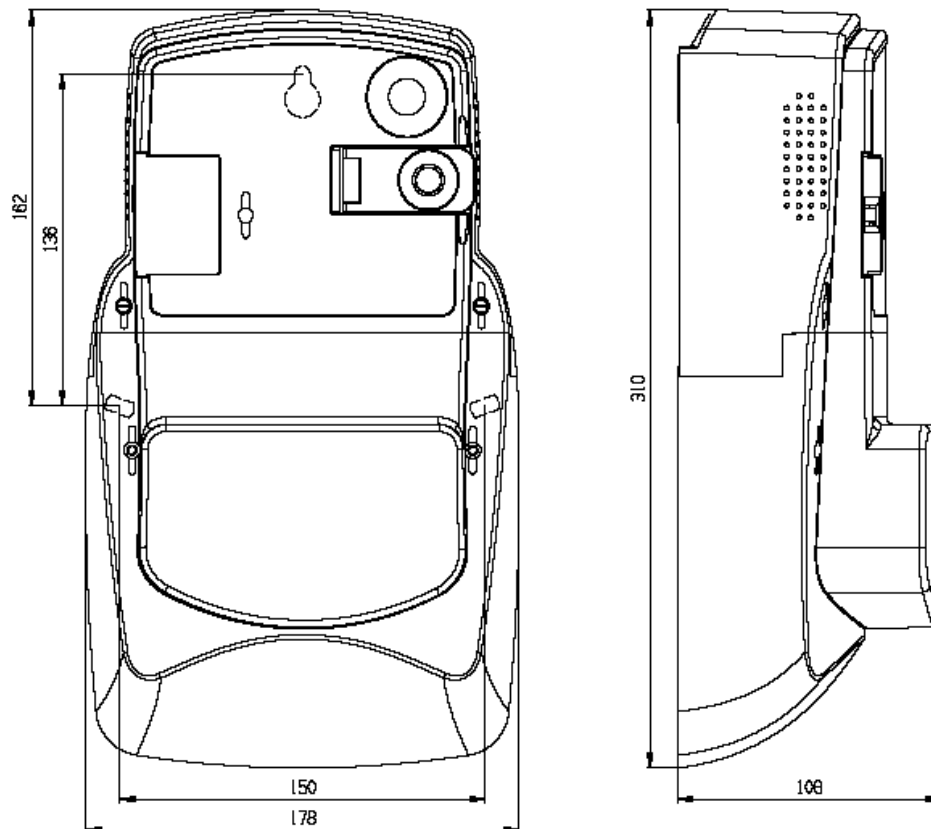


Figure 23: Overall and fixing dimensions of the MT382 meter fitted with a disconnecter and a long terminal cover

## 4.2. Meter case

A compact meter case consists of a meter base with a terminal block and fixing elements for mounting the meter, a meter cover and a terminal cover. The meter case is made of high quality self-extinguishing UV stabilized polycarbonate that can be recycled. The case ensures double insulation and IP54 protection level against dust and water penetration.

The movable top hanger is provided on the back side of the meter base under the top edge. The top hanger ensures the upper fixing hole height of 156,5mm (ME382) and 136mm (MT382) above the line connecting the bottom fixing holes (DIN 43857).

On the front side of the meter there is a lid which is fixed to the meter cover with a hinge. The lid covers the SET key and can be sealed in the closed position. The optical port is utilized for attaching an optical probe. The optical port is designed in accordance with standards.

The meter connection diagram is in the form of label and is placed on the inner side of the terminal cover.

### 4.2.1 Terminal block

A terminal block complies with the DIN 43857 standard. It is made of self-extinguishing high quality polycarbonate. Terminal cover is made in the color of the meter - light grey.

At single phase meters ME382-D1 terminal block the current terminals are made of nickel plated steel, screws are made of zinc plated steel, pozidrive nr. 2 head type. The conductors can be fixed with one screw per terminal and Iskraemeco's design of cage clamps.

At ME382-D3 terminal block current terminals are made of brass. The surface of terminals can be additionally protected with nickel for the areas with extreme climatic conditions (e.g. tropical area). Screws are made of zinc plated steel with pozidrive nr. 2 head type. The conductors can be fixed with two screws per terminal.

At three phase meters MT382-D1 with 85A terminal block the current terminals are made of nickel plated steel. Screws can be made of zinc plated steel with pozidrive nr. 2 head type. The conductors can be fixed with one screw per terminal and Iskraemeco's design of cage clamps.

At MT382-D2 with 120A terminal block the current terminals are made of nickel plated steel. Screws can be made of zinc plated steel with pozidrive nr. 2 head type or can be made of nickel plated brass with slot head type. The conductors can be fixed with two screws per terminal and Iskraemeco's design of cage clamps.

At MT382-T1 meters the current terminals are made of brass. The surface of terminals can be additionally protected with nickel for the areas with extreme climatic conditions (e.g. tropical area). Screws can be made of nickel plated brass with slot head type, or can be made of zinc plated steel with pozidrive nr. 1 head type. The conductors can be fixed with two screws per terminal.

An universal clamping terminals at direct connected meters assure the same quality of the contact irrespective of the shape of the connection conductor (a compact wire, a stranded wire, of greater or smaller cross-sections). They also assure faster meter assembly.

Current terminals:

- current terminals for direct connected have 8,5mm hole diameter for 85A terminal block and 9,5mm hole diameter for 120A terminal block,
- current terminals for MT382-T1 meters have 5mm hole diameter.

The meter is equipped with max. four additional voltage terminals - 2 (L1), 5 (L2), 8 (L3) and 11 (N). They enable simple connection of additional external devices. See Figure 3 and Figure 5.

At ME382 and direct connected MT382 meters the voltage terminals and screws are made of zinc plated steel. AT MT382-T1 meters voltage terminals are made of brass, which can be protected with nickel for the areas with extreme climatic conditions (e.g. tropical area) while screws are made of zinc plated steel.

### 4.2.2 Meter cover

Meter cover is made of transparent high quality self-extinguishing UV stabilized polycarbonate that can be recycled. Mx382 meter is equipped with meter cover opening detector.

### 4.2.3 Terminal cover

The meter terminal cover covers the meter terminal block. It is made of non-transparent high quality self-extinguishing UV stabilized polycarbonate that can be recycled. The Mx382 meter is equipped with terminal cover opening detector. On the inner side of the terminal cover there is the place for the connection diagram, which is in the form of the label. For meter connection diagrams see Chapter 3.4.

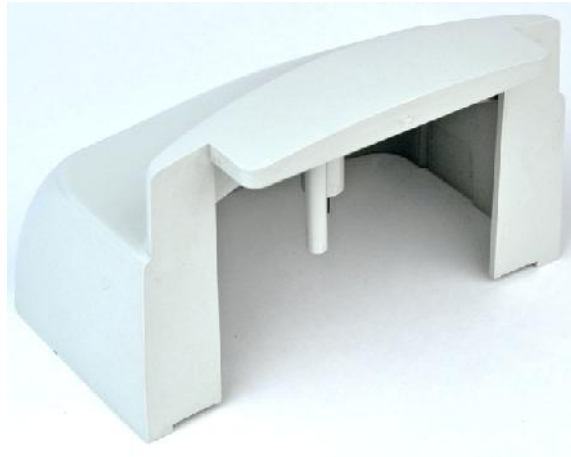


Figure 24: Terminal cover for ME382 meter



Figure 25: Short terminal cover for MT382 meter



Figure 26: Long terminal cover for MT382 meter

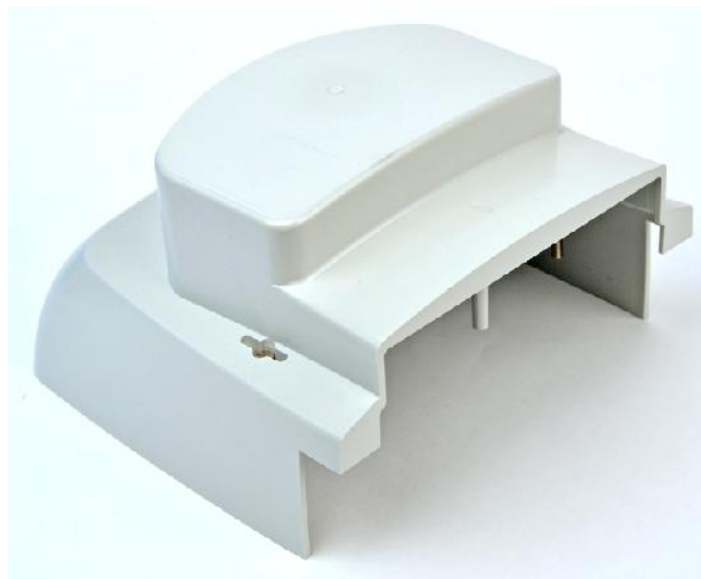


Figure 27: Terminal cover for MT382 meter with disconnecter unit



Figure 28: Meter connection diagram on the inner side of the terminal cover

#### 4.2.4 Sealing

The meter cover can be sealed with two sealing screws. The lid on the front side, which covers set key, can be sealed separately. The terminal cover can also be sealed: with one sealing screw at ME382 meter and two sealing screws at MT382 meter.



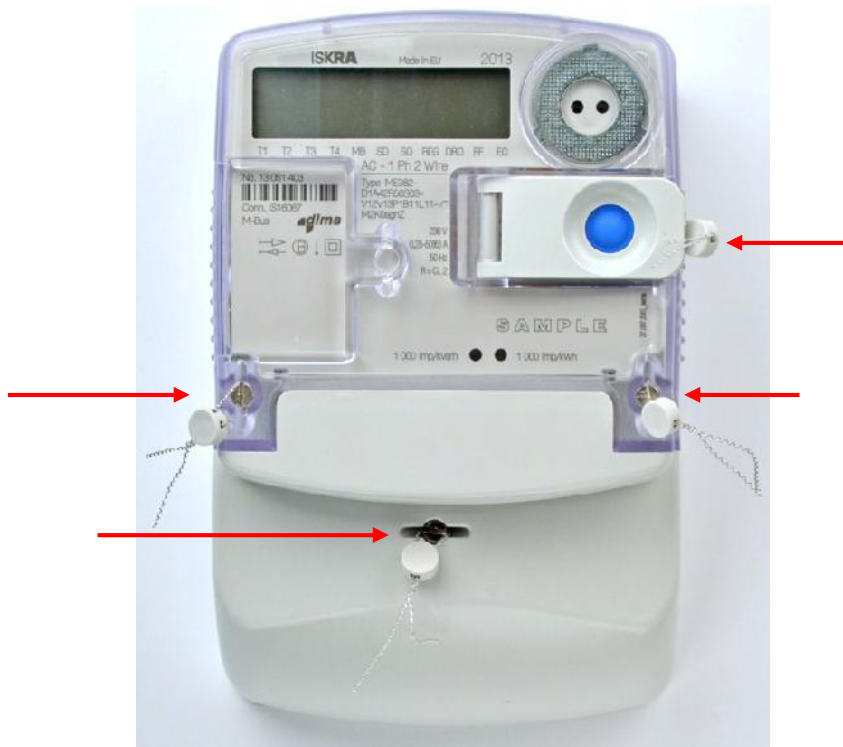


Figure 29: Positions of the seals at ME382 meter



Figure 30: Positions of the seals at MT382 meter

### 4.3. Front plate

The front plate of ME382 meter is shown on the following figure:

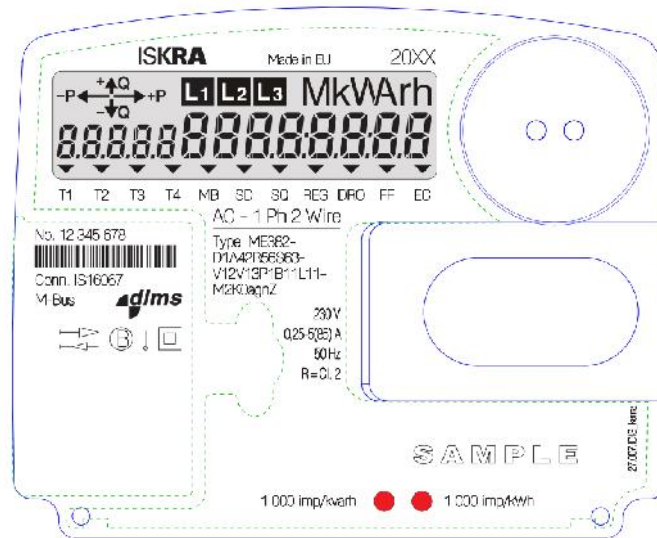


Figure 31: ME382 – DIN front plate

The following three figures show the name plate of three different variants of MT382 meters:

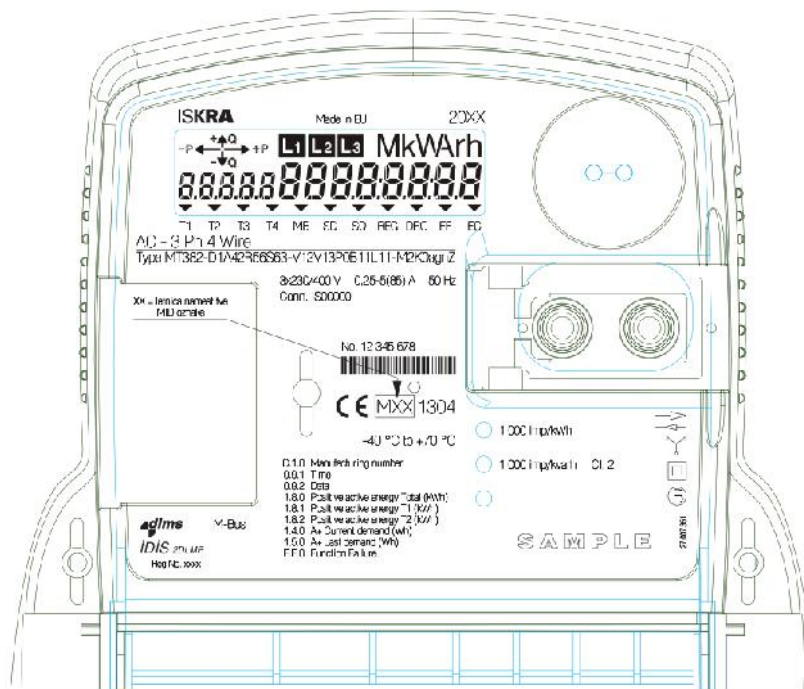


Figure 32: MT382-D1 front plate

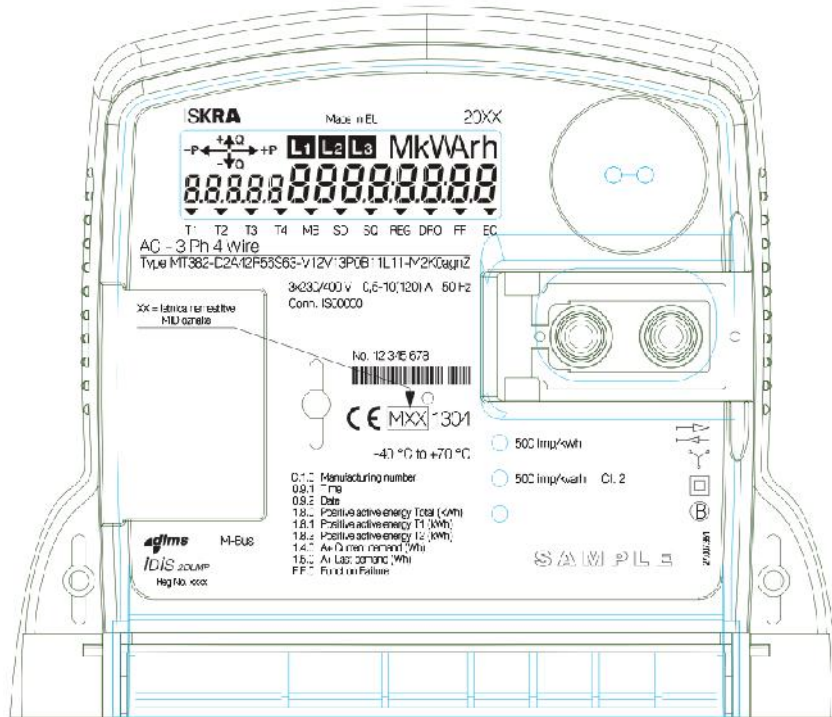


Figure 33: MT382-D2 front plate

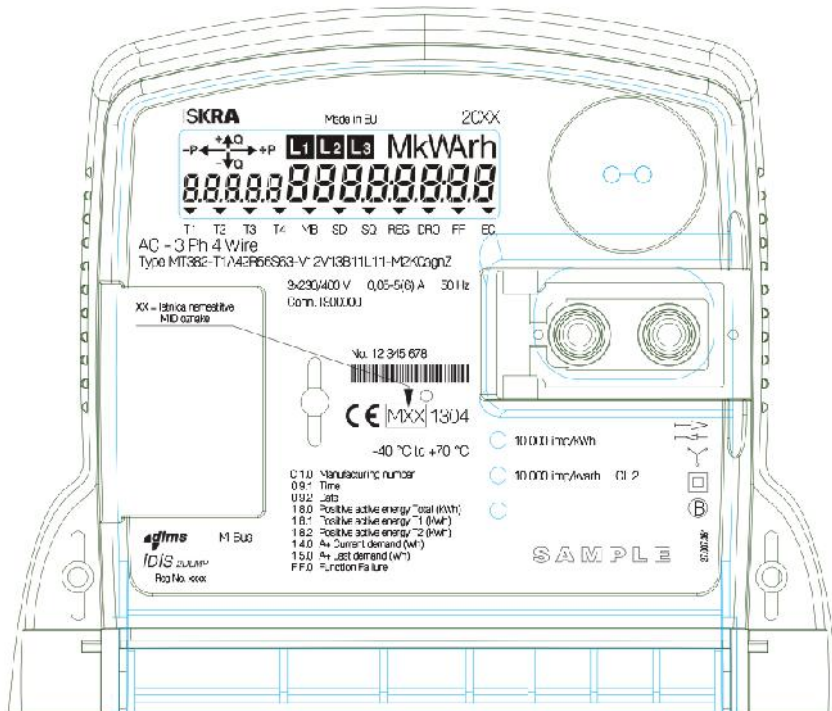


Figure 34: MT382-T1 front plate

## 4.4. Console keys

Main features on the meters console are LCD, two LED's and two keys. Every meter has them integrated.

### 4.4.1 LCD

The seven-segment liquid crystal display (LCD) complies with the VDEW requirements.

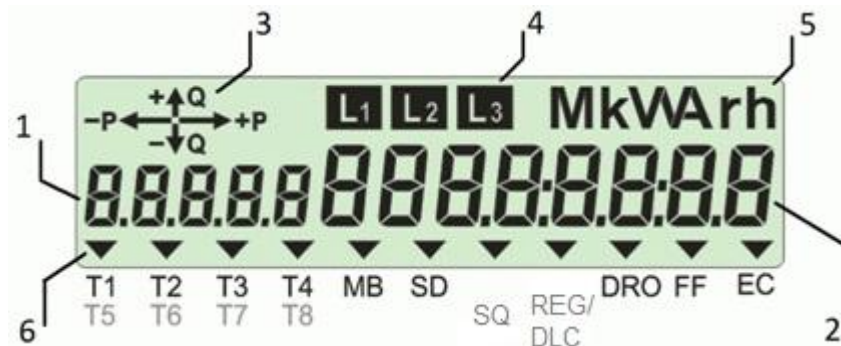


Figure 35: Full Mx382 LCD – display fields

Item	Description
1	Alphanumeric field 1 – Small five 7-segment digits – OBIS identification code presentation
2	Alphanumeric field 2 – Large eight 7-segment digits – Data value presentation.
3	Power flow direction cursors
4	Voltage presence by phases indicators
5	Physical unit field of the currently displayed data
6	Cursors

#### 4.4.1.1. Alphanumeric fields

Alphanumeric field 1 is used for presentation the OBIS identification codes of the displayed data (in accordance with DIN 43863-3). The height of characters is 6mm and width is 3mm.

Alphanumeric field 2 is used for presentation the data value. The height of characters is 8mm and width is 4mm.

#### 4.4.1.2. Display test state

In display test state all segments are displayed.

Figure 35 shows the display in the test state.

#### 4.4.1.3. Power flow direction cursors

There are four power flow direction cursors on the display:

- Positive reactive power flow (+Q),
- Positive active power flow (+P),
- Negative reactive power flow (-Q),
- Negative active power flow (-P).

#### 4.4.1.4. Phase indicators

Segments L1, L2 and L3 show indicated phases on meter. Blinking segments represents wrong phase sequence connection.

#### 4.4.1.5. Physical unit field

Physical unit field shows units of currently displayed data.

#### 4.4.1.6. Characters

Characters, which can be represented on a display, are listed below. Alphanumeric fields have a 7-segment display shape. There are also some additional dot fields. Alphanumeric characters are used to display values, tariff name, consumer message, signatures, etc.



Figure 36: Characters represented on a display

Available characters, which can be represented on a display:

“-”, “ ”

“0”, “1”, “2”, “3”, “4”, “5”, “6”, “7”, “8”, “9”,

“A”, “B”, “C”, “D”, “E”, “F”, “G”, “H”, “I”, “J”, “L”, “N”, “O”, “P”, “R”, “S”, “T”, “U”, “Y”, “Z”  
 (Letters B, D, I, N, O, R, T, will be displayed as b, d, i, n, o, r, t)

“a”, “b”, “c”, “d”, “e”, “f”, “g”, “h”, “i”, “j”, “l”, “n”, “o”, “p”, “r”, “s”, “t”, “u”, “y”, “z”  
 (Letters a, c, e, f, g, j, l, p, s, y, z will be displayed as A, C, E, F, G, J, L, P, S, Y, Z)

### 4.4.1.7. Cursors

On the front plate below the LCD display meter has laser printed markings that belong to the cursors on the LCD. The cursor shows the state of certain function that it represents e.g. tariff, registration, disconnecter status, meter fault...

Flags (cursors) in the lower bar readout have the following meaning (from left to right):

Flag	Name	Not displayed	Displayed	Blinking
1	T1/5		Active first tariff	Active fifth tariff / param switch off *
2	T2/6		Active second tariff	Active sixth tariff / param switch off *
3	T3/7		Active third tariff	Active seventh tariff / param switch off *
4	T4/8		Active fourth tariff	Active eighth tariff / param switch off *
5	MB	No M-Bus device installed	At least one M-Bus device installed	
6	SD	Disconnecter inactive (connection)	Disconnecter active (disconnection)	
7	SQ	GSM signal quality below the low lower limit (defined by object 0-0:128.20.11)	GSM signal quality above the high lower limit (defined by object 0-0:128.20.12)	GSM signal quality between the both lower limits
8	REG	Meter not logged in the GSM network	Meter logged in the GSM network with installation call made or not enabled	GSM/GPRS modem registered but installation call wasn't made
9	DRO		Meter data down-loading is in progress	Data package is present in the AMR communication network
10	FF	No fault	“Fatal“ fault	
11	SET	Normal operation mode		
	EC		Emergency Credit active	Emergency Credit threshold limit expired

Table 24: LCD cursors



Figure 37: LCD cursors

#### 4.4.1.8. Display format

Two objects are used to configure format for energy and demand values on display. Up to eight digits are used to display a value and up to three of them can be used for decimal precision. On display active energy is represented in (kWh), reactive energy in (kvar), apparent energy in (var) and demand in (kW).

Format is a single octet value where first nibble of value (upper half of byte) represents the width of the value (a number of digits for value presentation on display), and last nibble of value (lower half of byte) represents the precision of the value (a number of decimal digits for energy presentation on display). See examples below.



For effective use of functionalities, meter must be properly configured.

Display format examples:

- 60 – 6 digits, 0 decimals



Figure 38: Displaying value with format “60”

- 82 – 8 digits, 2 decimals



Figure 39: Displaying value with format “82”



Also negative registers can be presented on display. For those values the minus is attached in front of the most significant digit, if width of displayed value is smaller than 8 (digits < 8).

- 42 – 4 digits, 2 decimals



Figure 40: Displaying negative value with format “42”

If all digits are used (digits = 8), the minus sign is attached on a place of the most significant digit. Therefore this digit is cut off, which may result in the loss of data.

- 80 – 8 digits, 0 decimals

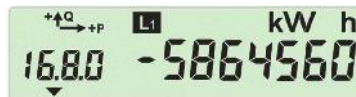


Figure 41: Displaying negative value with format “80”

If configured format width is smaller than register value it results in the loss of data on display.

- 42 – 4 digits, 2 decimals.
- register value: -35790 W.....displayed value is OK.
- register value: -1435790 W.....displayed value is limited to format width (two most significant digits are missing).



Figure 42: Displaying negative value with improper format “42” according to register value

The objects, that are not intended to show on the display, will not be displayed, if they are included in General display readout list (0-0:21.0.1) or in Alternate display readout list (0-0:21.0.2). The message code Error 11 (Ident format failed) will be displayed instead.



Figure 43: Ident format failed message



#### 4.4.1.9. OBIS name on display

There are 5 digits reserved for OBIS name presentation on the left side of the display. OBIS name is always displayed from the first digit on the left.

In general there are two types of OBIS name format:

- Short OBIS name format: C.D.E
- Full OBIS name format: A.B.C.D.E

For presentation on the display the short OBIS name format is used: C.D.E. There are some exceptions, when extended OBIS name is displayed:

- A.B.C.D.E format is used for presentation of the following objects:
  - Core identification (1.0.0.2.0)
  - Module identification (1.1.0.2.0)
  - Core signature (1.0.0.2.8)
  - Module signature (1.1.0.2.8)
- B.C.D.E format is used for presentation of the objects with field B = 0.

Up to 5 characters of OBIS name can be displayed. There are some abbreviation characters used for the specific multi-character fields of OBIS name:

Multi-character field	Abbreviation character
96	C
97	F
98	L
99	P
128	U

Table 25: OBIS name abbreviation characters

#### 4.4.1.10. Error codes on display

In certain cases an error message can appear on display. The error codes that can be seen on display are listed in a table below:

Error code	Error description
Error 11	Ident format failed
Error 23	Ident not existing
Error 31	Value format failed

Table 26: Error codes on display

#### 4.4.1.11. Console period

Three console period timings are defined in meter which are all fixed and cannot be changed:

- exit period after last pressed key (default is 120s),
- auto scroll period (default is 10s),
- backlight lit time after pressed key (default is 30s).

#### 4.4.1.12. Horizontal scroll

Presentation of strings on display is performed with horizontal scroll, if the size of string is larger than the size of alphanumeric field for value on display (8 characters). Horizontal scroll shift period is one second. When the horizontal scroll is performed in Auto scroll mode, the auto scroll period (10s) is extended until end of the string is reached.

#### 4.4.1.13. Tariff on display

Active tariff is indicated on display by an appropriate cursor, as it is defined above. For details see Chapter 4.4.1.7.

Active tariff can also be displayed with a dedicated name. For this purpose the Currently active energy tariff object (0-0:96.14.0) needs to be set in:

- General display readout list (0-0:21.0.1) for use in Auto-scroll mode sequence or
- Alternate display readout list (0-0:21.0.2) for use in Manual-scroll mode sequence.

Active tariff name can be constructed with the characters that are supported for presentation on display.

Limitations:

- Maximum number of characters used for tariff name is 8. If more than 8 characters are used, the meter will reject the entry.
- Characters that are not supported for presentation on LCD, will be shown as blank segments.
- Value of Currently active energy tariff object (0-0:96.14.0) is seen in hex format.
- Active tariff name has to be set in dedicated objects with setting file (.ncs):
  - Register activation object (0-0:14.0.1) – Active mask.
  - Tariffication script table object (0-0:10.0.100) – Parameter.
- Active tariff name has to be set in ASCII format to be presented on display. Otherwise the value is ignored for presentation on display and is shown as blank digits.
- Default value of the Active tariff name (0001, 0002, ..., 0008) is not set in ASCII format, therefore are not suitable for presentation on display.



Figure 44: Tariff on display



For effective use of functionalities, meter must be properly configured.

#### 4.4.1.14. Signature on display

- Active firmware module signature object: 1-1:0.2.8,
- Active firmware core signature object: 1-0:0.2.8,
- Full OBIS code presentation is used for Active firmware module/core signature objects.

- Firmware module/core signature presentation on display is performed with horizontal scroll, if the size of signature string is larger than the size of alphanumeric field for value on display (8 characters).
- Horizontal scroll shift period is one second.



Figure 45: Signature on display

#### 4.4.2 Metrological LEDs

The meter is provided with two red colored LEDs on the front plate. They are intended for checking the meter accuracy. Impulse constant depends on the meter version.

##### MT382

- upper LED indicates active energy flow,
- middle LED indicates reactive / apparent energy flow.

##### ME382

- right LED indicates active energy flow,
- left LED indicates reactive / apparent energy flow.

In normal meter operation mode LEDs emit pulses with frequency that is proportional to the measured power and is intended for the meter calibration and testing. The LEDs are turned-on and glows steadily if load is lower than the meter starting current.

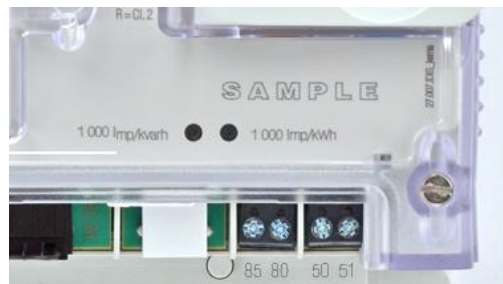


Figure 46: LEDs at ME382 meter



Figure 47: LEDs at MT382 meter

### 4.4.3 Keys

There are two keys on every meters front side:

- **Scroll** key – the blue key that is always accessible. Its primary function is to scroll data from the Manual scroll sequence on the LCD.
- **Reset** key – the orange key that is under the lid with a hinge and can be sealed independently from the meter cover.



Figure 48: **Reset** and **Scroll** key

Depending on the time of releasing the keys and a combination of released keys, the different actions can be made by the console:

- menu navigation,
- scrolling of metering results and other data,
- starting procedure to searching connected M-Bus devices,
- testing the LCD,
- meter reset execution to reset the meter parameters.

The **Scroll** key (blue) is sensitive to key press duration, therefore the key action is depended on key release time. There are also some differences in key press actions, either Reduced or Normal console menu type is active.

#### 4.4.3.1. Reduced console menu type

Reduce console menu type is activated by the Display configuration object (0-0:196.1.3).



For effective use of functionalities, meter must be properly configured.

##### Use of **Scroll** Key

The **Scroll** key enables three different types of key press, depending on duration:

- Short press    time of key depression shorter than 2s:  
Next data in the manual sequence is displayed.
- Long press    time of key depression longer than 5s:  
Displayed submenu or function is selected,
- Extended press    time of key depression longer than 8s:  
Enter to menu.

The **Scroll** key functions are:

- LCD display test performing,
- displayed list data view,
- switching to the meter test operation mode,
- disconnector disconnection or reconnection,
- short time press scrolls the display,
- long time press enables to perform different function such as disconnector connection / disconnection or emergency credit selection.

##### Use of **Reset** Key

The Reset key is locked up by a seal. It is used to execute the reset of parameters, by the specific procedure under specific conditions.

##### Menu navigation

When the Reduced console menu type is active, the user interface has only two modes: Auto-scroll mode and Manual-scroll mode. The first one shows data stated in a list in the 'General display readout' object (0-0:21.0.1). Transition between the displays of individual data from a list is performed automatically. By short pressing the **Scroll** key the program goes to the Manual-scroll mode, where data are listed by successive pressing the **Scroll** key. A data list that can be checked in the Manual-scroll mode is stored in the 'Alternate display readout' object (0-0:21.0.2). A disconnector connection / disconnection or emergency credit selection can be done with the **Scroll** key.

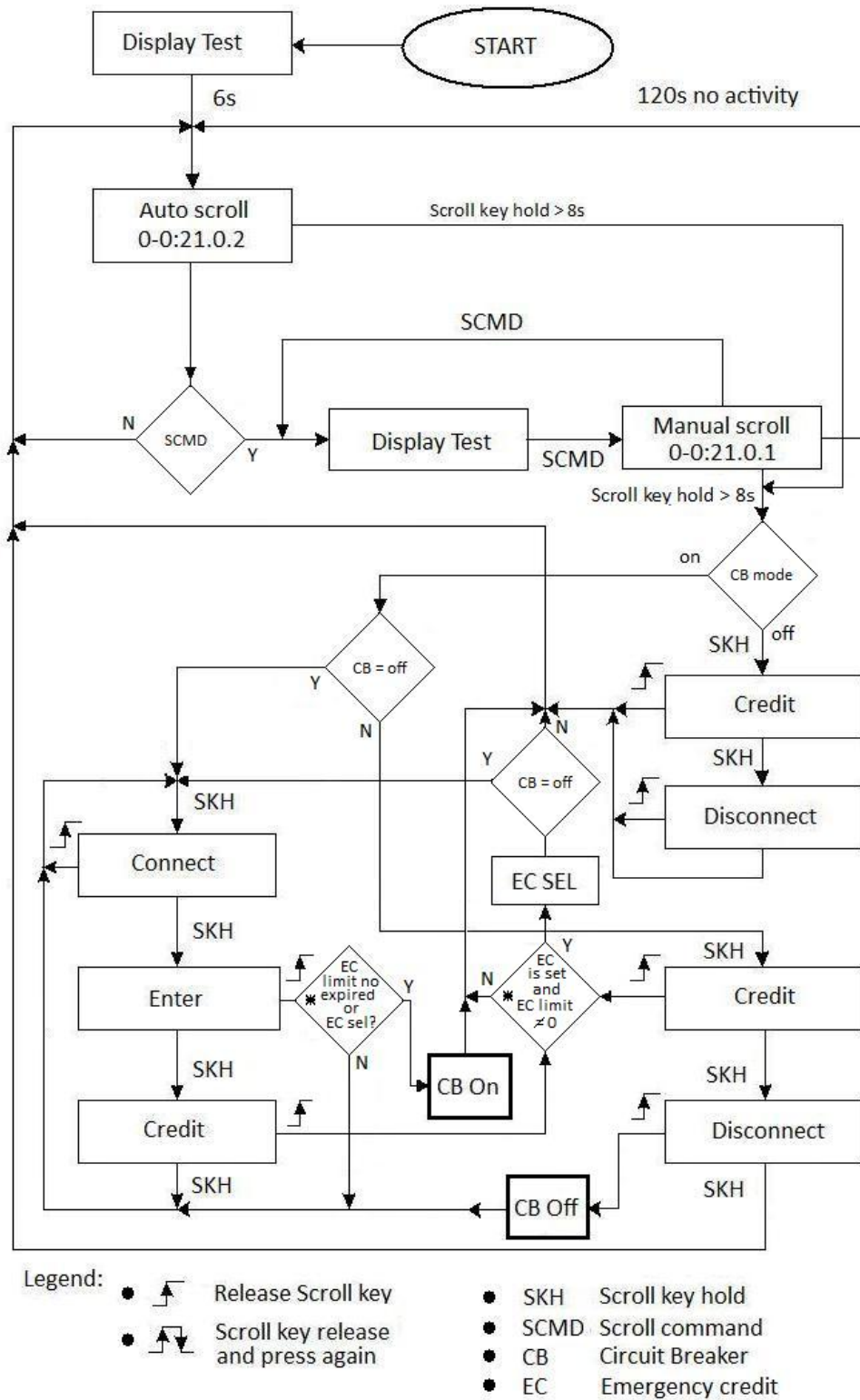


Figure 49: Menu navigation diagram for reduced console

### 4.4.3.2. Normal console menu type

Normal console menu type is activated by the Display configuration object (0-0:196.1.3).



For effective use of functionalities, meter must be properly configured.

#### Use of **Scroll** key and **Reset** key

Key press	Press duration	Triggering event	Tip on display
<b>Scroll key</b>			
Short press	Tp < 2s	Scroll forward / Go to the next item	/
Long press	2s Tp < 5s	Enter to the current item / Go to the lower layer	EntEr
		Return to the upper layer at the End of list / Return to the upper layer from the lowest layer	LAYEr UP
		Return to the Auto-scroll mode at the End of list in Set menu / Data menu	ESC
Extended press	Tp 5s	Escape to the Auto-scroll mode from any mode	ESC
<b>Reset key</b>			
Short press	/	Enter to the Set menu from the Display test state	/

Table 27: Use of keys – normal console menu type

Key	Key press	Press duration	Key label
<b>Scroll</b> key	Short press	Tp < 2s	<b>SS</b>
	Long press	2s Tp < 5s	<b>SL</b>
	Extended press	Tp 5s	<b>SE</b>
<b>Reset</b> key	Short press	Tp < 2s	<b>RS</b>
	Extended press	Tp 5s	<b>RE</b>

Table 28: Key labels

#### Menu navigation

When the Normal console menu type is active, the user interface has two menus that are accessed from the Display test state. The Display test state is entered from the Auto-scroll mode by a short press on Scroll key (see figure below):

- Data menu (general use),
- Set menu (limited use).

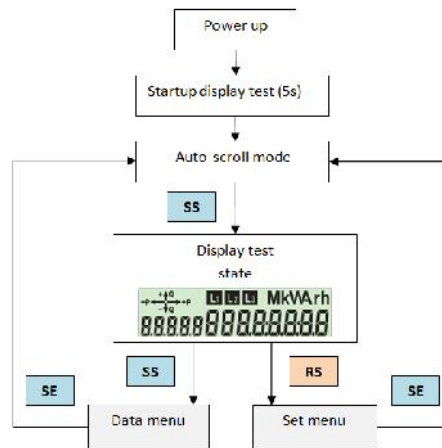


Figure 50: Entering the Data/Set menu

#### 4.4.3.3. Data menu

Data menu is accessed from the Display test state by a short press on **Scroll** key. There are several items supported for presentation in Data menu on display. The first item is Manual-scroll mode (Std data). It is fixed and can not be disabled. Other items are optional and can be configured by the Display configuration object (0-0:196.1.3). In Data menu the following items are listed in order:

- Std data – Manual-scroll mode,
- P.01 – Load profile with period 1 (optional),
- P.02 – Load profile with period 2 (optional),
- End – end of list.

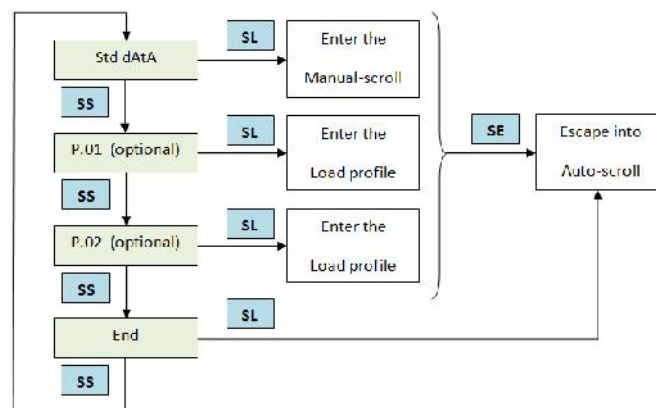


Figure 51: Data menu navigation

#### 4.4.3.4. Set menu

Set menu is accessed from the Display test state by a short press on **Reset** key, which is protected with a seal. In Set menu the following items are listed in order:

- Reset – Reset mode – reset of parameters, by the specific procedure under specific conditions,



- Lcd test – Lcd test mode – display unit test,
- End – end of list.

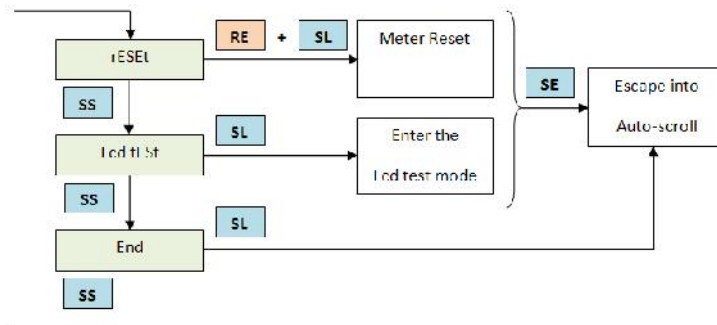


Figure 52: Set menu navigation

### 4.4.3.5. Auto-scroll mode

Auto-Scroll mode is implemented in the following way:

- Auto-scroll mode is general meter mode, where the items listed in General display readout object (0-0:21.0.1) are cyclically displayed on LCD.
- Auto-scroll time is a compile-time parameter and is set to 10 seconds.

General display readout object (0-0:21.0.1) is an instance of COSEM Profile Generic class, where only Capture Objects attribute is relevant (or other attributes are not used).



For effective use of functionalities, meter must be properly configured.

### 4.4.3.6. Manual scroll mode

Manual-Scroll mode is implemented in the following way:

- Manual-scroll mode is used for manual data review on display.
- Displayed items are listed in Manual-scroll mode sequence list, defined by Alternate display readout object (0-0:21.0.2).
- Manual-scroll mode is accessible from the Data menu by a long press on **Scroll** key at the Std data item, when tip Enter is shown. Then the first item from the sequence list is displayed.
- The next item from the sequence list is displayed by a short press on Scroll key.
- At the end of sequence the End notice is displayed.
- Return to the Data menu is performed by a long press on **Scroll** key, when tip Layer up is shown.
- Escape in Auto-scroll mode is performed by an extended press on **Scroll** key, when tip Esc is shown.

Alternate display readout object (0-0:21.0.2) is an instance of COSEM Profile Generic class, where only Capture Objects attribute is relevant (or other attributes are no used).



For effective use of functionalities, meter must be properly configured.

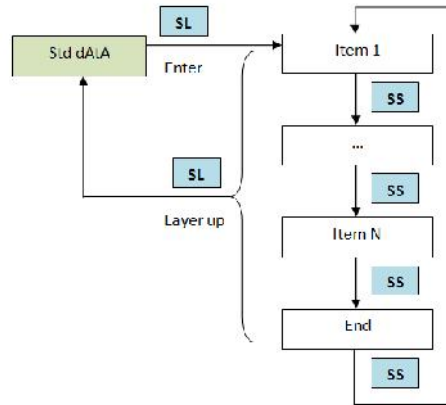


Figure 53: Manual-scroll mode navigation

#### 4.4.3.7. Load profile on display (P.01, P.02)

Presentation of Load profile on display is optional and can be enabled by a bit-parameter in the Display configuration object (0-0:196.1.3). Load profile presentation is accessible from the Data menu by a long press on **Scroll** key at the P.01 / P.02 item, when tip Enter is shown. There are two types of Load profile supported:

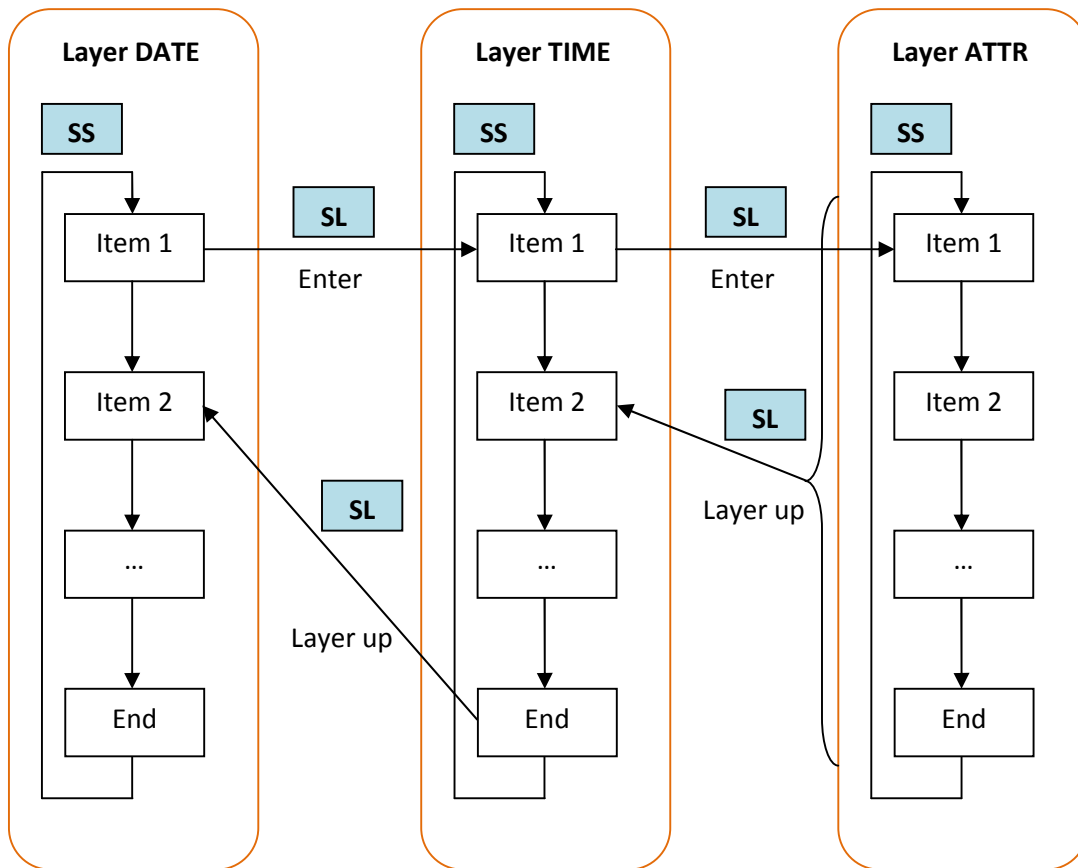
- P.01 – Load profile with period 1,
- P.02 – Load profile with period 2.

Load profile presentation on display follows VDEW specifications in general. Load profile is presented on display in three layers:

- layer DATE (upper layer),
- layer TIME (middle layer),
- layer ATTR (attribute) (lower layer).



For effective use of functionalities, meter must be properly configured.



Display forms by layers:

P.OX	YY.MM.DD
------	----------

P.OX	DD.hh:mm
------	----------

C.10.1	1
1.8.0	000000

Legend:

YY → Year	hh → hours
MM → Month	mm → minutes

Figure 54: Load profile on display navigation

#### 4.4.3.8. LCD test mode

LCD test mode is used for testing purposes to perform LCD unit test. LCD test mode is accessed from the Set menu by a long press on **Scroll** key at the Lcd test item, when tip Enter is shown.

- There are four LCD test conditions (all, odd, even, none segments), which can be scrolled by a short press on **Scroll** key.
- Return to the Set menu is performed, when all LCD test conditions are scrolled.
- It is also possible to return to the Set menu from any LCD test condition, by a long press on **Scroll** key, when tip Layer up is shown.
- Escape into the Auto-scroll mode is performed by an extended press on **Scroll** key, when tip Esc is shown.

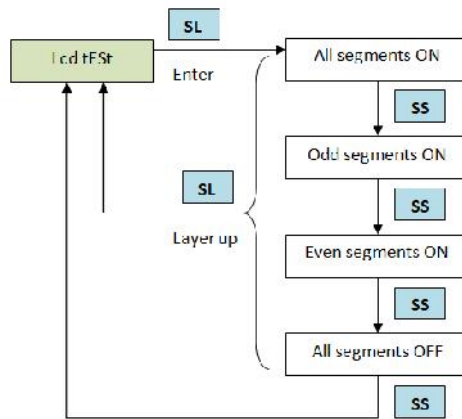


Figure 55: LCD test mode navigation

#### 4.4.3.9. Meter reset



Sealed reset key cover must be opened to access the reset key.

**Reset** and **Scroll** keys are used to reset the meter by pressing appropriate keys, following predefined time sequences. The meter has to be unlocked (param switch on). The pressing keys are tracked by messages on display.

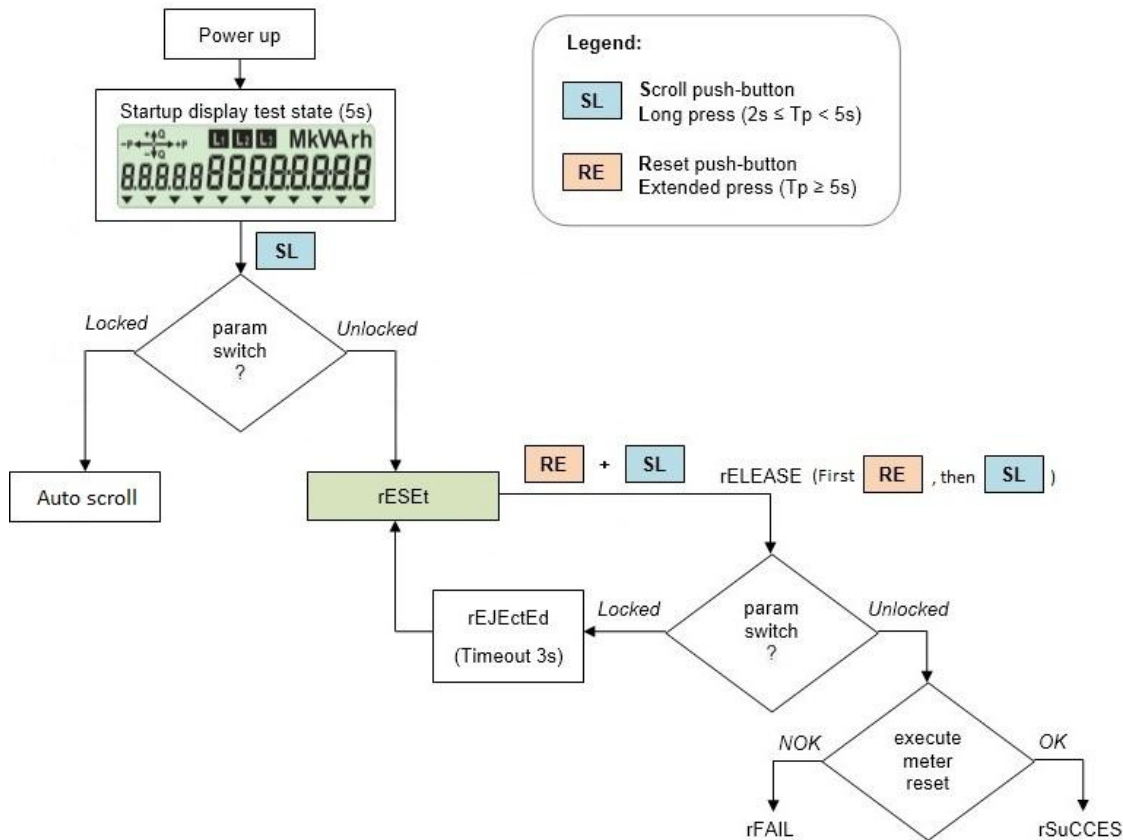


Figure 56: Meter reset procedure

Meter reset is performed by the following procedure:

- Power-up the meter.
- Within 5 seconds after power-up, when the Startup display test is performing, long press the **Scroll** key ( $2s \leq T_p < 5s$ ) to enter the Reset mode. The display indicates rESet.
- Press the **Reset** key and hold it, then simultaneously press and hold the **Scroll** key.
- Wait until the display indicates rLEASE, that is approximately 5 seconds after pressing the **Reset** key.
- Release the **Reset** key first and then the **Scroll** key, to execute the meter reset.
- The parameter switch has to be open. Otherwise the meter reset execution is rejected and the display indicates rEJectEd for 3 seconds. Then the meter returns to Reset mode.

If the meter reset was successfully executed, the display indicates rSuCCES, otherwise it indicates rFAIL.

### 4.4.4 Display data codes

Basic data that can be displayed are listed in the table below. OBIS identification for those data registers are presented on display in reduced format because the display has only five digits available for code presentation. Which of the registers will be displayed depends on the meter type. Some examples of the registers are listed in following table.

Code	Data description
0.0.0	Meter serial number
C.1.0	Meter manufacturer number
0.9.1	Time
0.9.2	Date
1.8.0	Total imported active energy (A+)
1.8.1	Imported active energy in the 1 <sup>st</sup> tariff (T1)
1.8.2	Imported active energy in the 2 <sup>nd</sup> tariff (T2)
1.8.3	Imported active energy in the 3 <sup>rd</sup> tariff (T3)
1.8.4	Imported active energy in the 4 <sup>th</sup> tariff (T4)
15.8.0	Total absolute active energy  A
15.8.1	Absolute active energy in the 1 <sup>st</sup> tariff  T1
15.8.2	Absolute active energy in the 2 <sup>nd</sup> tariff  T2
15.8.3	Absolute active energy in the 3 <sup>rd</sup> tariff  T3
15.8.4	Absolute active energy in the 4 <sup>th</sup> tariff  T4
2.8.0	Total exported active energy (A-)
2.8.1	Exported active energy in the 1 <sup>st</sup> tariff (T1)
2.8.2	Exported active energy in the 2 <sup>nd</sup> tariff (T2)
2.8.3	Exported active energy in the 3 <sup>rd</sup> tariff (T3)
2.8.4	Exported active energy in the 4 <sup>th</sup> tariff (T4)
1.6.0	Total A+ imported maximum demand
2.6.0	Total A- exported maximum demand
F.F.0	Meter fatal error

Table 29: Display register codes



For effective use of functionalities, meter must be properly configured.

### 4.5. Voltage bridge

A sliding voltage bridge (only on MT382 direct connected meters) is intended for fast and simple separation of meter current and voltage circuit used for calibration or accuracy testing. A special slider is built in each phase of the connection terminal. It can be shifted up and down with a screwdriver.

When a voltage bridge is in “0” position, it means that the voltage part is separated from the current part. During the meter testing and calibration the sliding voltage bridges should be in position “0”.

When a voltage bridge is in position “1” the voltage part is not separated from the current part. During the normal meter operation the potential links should be closed (position “1”). Upon request, the potential links can be built under the meter cover.

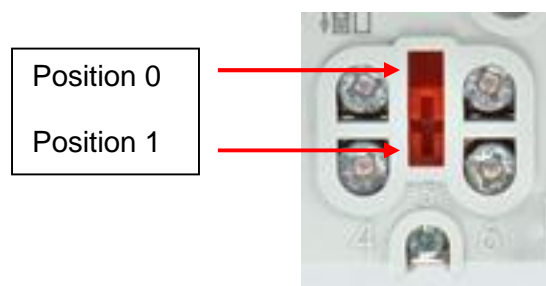


Figure 57: Sliding voltage bridge

## 5. Mx382 meter constituent parts

### 5.1. Mx382 meter type designation

ME382 - D1A42R56S63 - V12V13P1B11L11 - M2K0agnZ

ME																		Single-phase electronic meter
MT																		Three-phase three-system electronic meter
	382																	With built-in GSM/GPRS modem
		-																Separator
			D1															Terminal block: I <sub>max</sub> =85A
			D2															Terminal block: I <sub>max</sub> =120A
			D3															Terminal block: I <sub>max</sub> =100A
			T1															Terminal block up to 6 A
				A4														Active energy measurement, accuracy class 1
				A5														Active energy measurement, accuracy class 2
					1													Energy measurement in one direction
					2													Energy measurement in two directions
					4													Absolute energy measurement
				R5														Reactive energy measurement, accuracy cl. 2
				R6														Reactive energy measurement, accuracy cl. 3
					1													Energy measurement in one direction
					2													Energy measurement in two directions
					6													Energy measurement in all 4 quadrants in both directions
				S5														Apparent energy measurement, accuracy cl. 2
				S6														Apparent energy measurement, accuracy cl. 3
					3													Energy calculated as $SQR(P^2+Q^2)$
						-												Separator
							V											Control inputs
								1										No. of inputs
									2									High voltage control - 230V
										3								No voltage control - transformer
							P											Integrated disconnecter
								0										Three phase disconnection - external
								1										One phase disconnection - internal
							B											High voltage output – relay type
								1										One relay contact output
									1									Relay contact output with make contact
							L											High voltage output – OptoMOS type
								1										One control output
									1									Control output with make contact
										-								Separator
											M							Internal clock
												2						Back-up power supply – super capacitor
												3						Back-up power supply – battery
													K					Communication interface
														0				Optical interface (IEC62056-21)





5.2.1.1. Load control delay mode

With Load Control Mode different types of switching can be set. Available mode options are:

- (0) – Normal,
- (1) – Switch on Delayed,
- (2) – Switch on Random Delayed,
- (3) – Switch On Delayed with Power on Delay,
- (4) – Switch On Delayed with Power on Random Delay,
- (5) – Switch On Random Delayed with Power on Delay,
- (6) – Switch On Random Delayed with Power on Random Delay.

5.2.1.2. Load control power on delay

This register defines relay power up delay time, before it is switched on. Delay time is set in seconds. Used for grid power balance, when power returns.

5.2.1.3. Load control switch on delay

This register defines relay switch on delay time, before relay is switched on. Delay time is set in seconds. Used for grid power balance on tariff action relay on.

5.2.1.4. Load management relay control 1

This object controls relay state machine. By default outputs are in disconnected state.

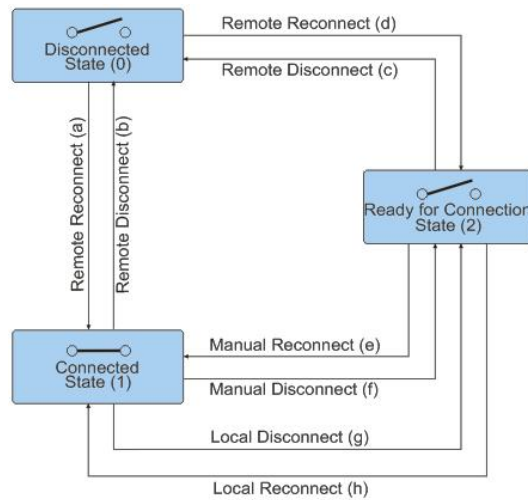


Figure 59: Relay state transitions

Mode	Description	
0	None. The disconnect control object is always in 'connected' state	
2	Disconnection:	Remote (b, c) Local (g)
	Reconnection:	Remote (a)
4	Disconnection:	Remote (b, c) Local (g)
	Reconnection:	Remote (a)
5	Disconnection:	Remote (b, c) Local (g)
	Reconnection:	Remote (d) local (h)
6	Disconnection:	Remote (b, c) Local (g)
	Reconnection:	Remote (d) Local (h)

Table 31: Disconnect modes

**Note!**

**To perform the switchover, methods described below should be executed (remotely or locally). Manual transitions are not possible on relay object.**

### 5.2.2 OptoMOS output - service

Service Control registers are used to configure OptoMOS output with maximum capability of 0,1A at 250V. Service control terminals are:

- 33 – OptoMOS output,
- 35 – Common.



Figure 60: Service control terminal

To configure service control function an object of COSEM Class Data is introduced. Service Control Functionality object define a function of service control. If metropulse output function is selected other service control parameters have no influence on behavior of OptoMOS output.

This output can also be triggered via tariff program. Tariffication script table needs to be configured accordingly.

### 5.2.2.1. Service control functionality

With Service Control Functionality different types of functions can be selected. Available function options are:

- (0) – Switching,
- (1) – Metropulse output (see Chapter 3.6.2),
- (otherwise) – Reserved.

### 5.2.2.2. Service control delay mode

With Service Control Mode different types of switching can be set. Available mode options are:

- (0) – Normal,
- (1) – Switch on Delayed,
- (2) – Switch on Random Delayed,
- (3) – Switch On Delayed with Power on Delay,
- (4) – Switch On Delayed with Power on Random Delay,
- (5) – Switch On Random Delayed with Power on Delay,
- (6) – Switch On Random Delayed with Power on Random Delay.

### 5.2.2.3. Service control power on delay

With this register OptoMOS switch delay at power up can be set and is used when OptoMOS state should be switched on. Delay time is set in seconds.

### 5.2.2.4. Service control switch on delay

With this register relay switch delay at state switch can be set and is used when OptoMOS state should be switched on. Delay time is set in seconds.

### 5.2.2.5. Load management relay control 2

This object controls the connection and disconnection of the relay. Switching of either of the outputs can be controlled via build in time of use by setting the switching times for corresponding tariffs. See also TOU settings. By default outputs are active when the low tariff is active.



For effective use of functionalities, meter must be properly configured.

## 5.2.3 Inputs

Inputs are simple passive inputs with capability to detect a presence of voltage level on dedicated terminals. There is one variation of input type:

- High Voltage 230V AC inputs.

Up to two inputs can be used on the meter, however only one type can be chosen (low voltage or high voltage input). Inputs can be configured for alarm or external key use only. To be able to use inputs, I/O Control register needs to be configured according to desired needs. There is a maximum of four input terminals (two functional inputs) intended for alarm or external key function use. Terminal labels are the same for all system meter types.

Terminals are labeled as:

- 85 – Common,
- 80 – Alarm input 2,
- 50 – Passive External key,
- 51 – Passive External key.



Figure 61: Mx382 input terminals

### 5.2.4 Active SD outputs

This output is low voltage transistor output. There are three output pins on the terminal block which serve these outputs (only on MT382 meters) and are intended for disconnector.

For more info on disconnector see Chapter 6.18.

### 5.2.5 Input/output status

This is read only information of I/O status. I/O Status is represented as a decimal number which is a result of all input or output function statuses. Each input or output function has its own designated bit in 16 bit input or output register. This bit can be enabled (logical 1) or disabled (logical 0). According to that, HEX number is a result of the whole binary register word. Not all bits in the register are used and some are reserved for future functions.

```

                x x x x x x x x x x x x x x x x
Bit           15 . . . . . 0
    
```

#### 5.2.5.1. State of the input control signals

Input control status register (0-0:96.3.1) includes this input function bits:

Bit	HEX (when bit set)	Bit name	Remarks
0-5			
6	0x0040	ALARM IN 1	20/15 or 50/51
7	0x0080	ALARM IN 2	85/80
8-12			
13	0x2000	SCROLL KEY	Key pressed
14	0x4000	RESET KEY	Key pressed
15	0x8000	PARAM LOCK SWITCH	Locked

Table 32: Input state control register

### 5.2.5.2. State of the output control signals

Output control status register (0-0:96.3.2) includes this output function bits:

For 1-phase meter:

Bit	HEX (when bit set)	Bit name	Remarks
0	0x0001	RELAY OUTPUT	Relay ON
1	0x0002	RELAY OUTPUT	Relay OFF
2-3			
4	0x0010	BREAKER OUTPUT	Breaker ON
5	0x0020	BREAKER OUTPUT	Breaker OFF
6-7			
8	0x0100	SERVICE OUTPUT	OptoMOS ON
9-15			

Table 33: Output state control register

For 3-phase meter:

Bit	HEX (when bit set)	Bit name	Remarks
0	0x0001	RELAY OUTPUT	Relay ON
1	0x0002	RELAY OUTPUT	Relay OFF
2-3			
4	0x0010	BREAKER OUTPUT	Breaker OFF
5	0x0020	BREAKER OUTPUT	Breaker ON
6-7			
8	0x0100	SERVICE OUTPUT	OptoMOS ON
9-15			

Table 34: Output state control register

## 5.3. Real time clock

Depending on customer needs meters have three options of power storage devices which guaranty operation of Real Time Clock and Tamper functionality during power loss.

### Option 1 : One SuperCap

Enables operation for 7 days, when meter is previously charged for 24h continuously. Data is valid for ambient temperature 25°C.

### Option 2 : Two SuperCaps

Enables operation for 20 days, when meter is previously charged for 168h continuously. Data is valid for ambient temperature 25°C.

**Option 3 : Lithium battery**

Enables operation of RTC and Tamper for longer periods. Battery has 20 years life time and provides enough energy to enable 10 years operation.



For effective use of functionalities, meter must be properly configured.

Clock object consists of several time/date related attributes. These attributes are divided into:

- Local time/date,
- Time zone,
- Daylight savings time (DST).

### 5.3.1 Time

Contains the meter’s local date and time, its deviation to UTC and the status.

OCTET1	OCTET2	OCTET3	OCTET4	OCTET5	OCTET6	OCTET7	OCTET8	OCTET9	OCTET10	OCTET11	OCTET12
YYYY		MM	DD	WD	hh	mm	ss	hd	dddd		CS
Year		Month	Day	Week Day	Hour	Minute	Second	Hund-redths	Deviation		Clock Status

Figure 62: Time and Date Data Format

Time zone attribute holds the deviation of local, normal time to UTC in minutes.

### 5.3.2 Status

The status is equal to the status read in time.

Clock status shows if DST is currently active or not

- 128 (DST is currently active – current time/date is in DST boundaries),
- 0 (DST is currently not active – current time/date is outside DST boundaries).

### 5.3.3 Daylight Savings

**Daylight saving begin/end** defines the local switch date and time when the local time has to be deviated from the normal time. DST start and end date needs to be entered where specific values for “day in a week” are:

- FD = 2nd last day of month,
- FE = last day of month,
- FF = not specified.

For repetitive dates, the unused parts must be set to “not specified”.

**Daylight savings deviation** contains the number of minutes by which the deviation in generalized time must be corrected at daylight savings begin. Deviation (in minutes) shows the difference from GMT time and clock status active/inactive DST. Deviation range of up to  $\pm 120$  min.

### Daylight savings enabled

To use DST, DST needs to be enabled with start and end date set also. DST Status can be:

- TRUE = DST enabled - (1),
- FALSE = DST disabled - (0).

## 5.3.4 Local time and date

These two objects are part of clock object and show only date or time. Date and time are represented on the meter display like this:

- Time: hh:mm:ss (hours:minutes:seconds),
- Date: yy.mm.dd (year.month.day),  
dd.mm.yy (day.month.year).

The easiest way and also the most common way to set local time and date is via MeterView application (this action writes date and time in main clock object 0-0:1.0.0 attr. 2).

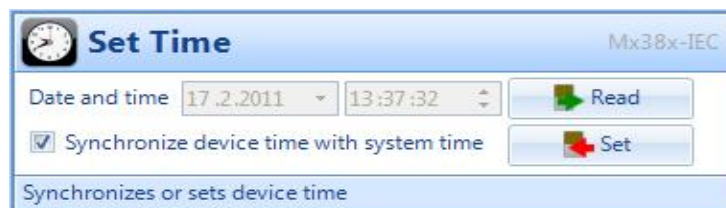


Figure 63: Set date and time

## 5.3.5 Clock time shift limit

Clock time shift limit is the maximum allowed time shift (in seconds) without registration of a time shift event. If the time synchronization is larger than the clock shift limit the meter will record the synchronization as time setting.

## 5.3.6 RTC Mode

RTC (Real Time Clock) mode object determines RTC operation function:

- (0) – Normal (for normal use),
- (1) – Test (for calibration).

## 5.3.7 Battery Use Time Counter

This attribute shows battery use time. The value is a sum of meter power-down and power-up time in seconds.

### 5.3.8 Battery Estimated Remaining Use Time Counter

It shows remaining battery use time in seconds. It measures power time length and detracts it from battery default life time (determined according to datasheets and tests – approx. 20 years).

When this counter reaches 0, replace battery event (event 7) is triggered. Battery low (event 8) is triggered when voltage on companion circuit reaches certain threshold.

### 5.4. Activity calendar and TOU registration

Tariff program is implemented with set of objects that are used to configure different seasons or weekly and daily programs, to define which certain tariffs should be active. Also different actions can be performed with tariff switching like for example registering energy values in different tariffs or switching on/off bi-stable relay. Graphical tariff program illustration can be seen on figure below.

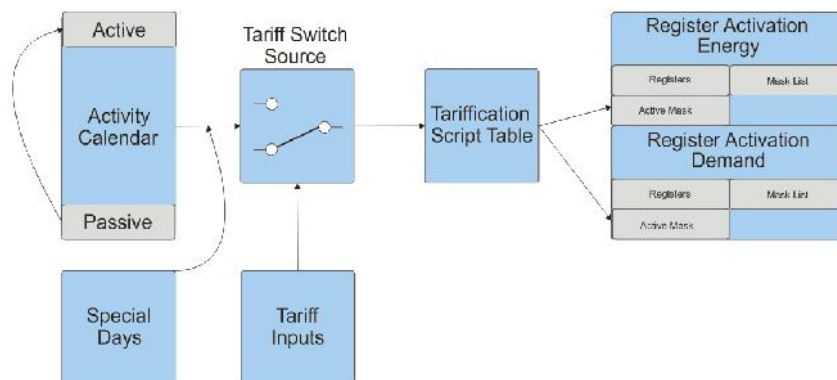


Figure 64: Graphical tariff program

TOU capabilities:

- Up to 8 tariffs,
- Up to 8 masks for configuring different combinations of tariff registers,
- Up to 12 seasons tariff programs,
- Up to 12 week tariff programs,
- Up to 12 day tariff programs,
- Up to 16 actions per day tariff program,
- Up to 64 special day date definitions.

Possible ways of tariff switching are:

- Separate energy and demand tariff switching,
- Tariff switching via internal RTC (by IEC 61038),

#### 5.4.1 Tariff program

Tariff program configures different seasons or weekly and daily programs to define, which certain tariffs should be active. Different actions can be performed with tariff switching like registering energy values in different tariffs or switching on and off the bi-stable relay.





For effective use of functionalities, meter must be properly configured.

## 5.4.2 Activity calendar

Activity calendar is time of use (TOU) object for tariff control. It allows modeling and handling of various tariff structures in the meter.

To handle different tariff structures an instance of the COSEM class “Activity calendar” is used. It is used to store energy and demand according to tariff rate schedule.

It is a definition of scheduled actions inside the meter, which follow the classical way of calendar based schedules by defining seasons, weeks and days.

After a power failure, only the “last action” missed from “*Activity calendar*” is executed (delayed). This is to ensure proper tariff after power up.

Activity calendar consists of two calendars, active and passive, and an attribute for activation of passive calendar. Changes can be made only to passive calendar and then activated to become active calendar. Each calendar has following attributes:

- Calendar name,
- Season profile,
- Week profile table,
- Day profile table.

### 5.4.2.1. Calendar Name

Calendar name typically contains an identifier, which describes calendar parameter set. With Calendar name the calendar can be identified.

### 5.4.2.2. Season Profile

The season table can be divided into 12 periods (seasons), during which different week tables are applicable. FF value is used for not specified fields. Season profile consists of:

- Season name,
- Season start date & time,
- Week name.

### 5.4.2.3. Week Profile Table

The week table determines the day profile table applicable for particular week. 12 week tables are available – one week profile per season. Since week tables are only divided into days, Monday to Sunday without time data, they are repeated every week while they are valid according to season profile. Value FF is used for not specified field. Week profile consists of:

- Week name,
- Weekdays.

#### 5.4.2.4. Day Profile Tables

Up to 12 day profile tables are available in the meter to cover weekdays and special days. Day profile tables are divided into day actions, which define individual tariff switching times for energy and power. Each of these day actions is defined by the entry of start time. Up to 16 daily actions (switching points) can be defined per one day profile table. FF values are used for not specified fields. Day profile consists of:

- Weekday name,
- Day start time,
- Script table,
- Script names.

#### 5.4.2.5. Change Over to New Switching Program

New tariff program structure is entered to passive calendar and change over time and date are entered to attribute activate passive calendar time of the class "Activity calendar". On entered time and date content of active calendar will be replaced by tariff structure stored in passive calendar.

#### 5.4.2.6. Specific Method

Immediate activation can be done by setting the activation date to the current date or with invoking the method active passive calendar. For not specified use FF (e.g. FFFFFFFFFFFFFFFFFFFFFF8000FF).

### 5.4.3 Special days

Special day object is used for defining dates with special tariff programs. According to COSEM object model special days are grouped in one object of COSEM class "special days". Each entry in special days object contains date on which special day is used and "Day\_id". "Day\_id" is reference to one day definition in day profile table of activity calendar object. In the meter one activity calendar object and one special days object are implemented. With these objects all the tariff rules (for energy and demand) must be defined.

Date definition in special days object can be:

- Fixed dates (occur only once),
- Periodic dates (recurring algorithms according to definition in COSEM blue book).

Special days object implementation in meter allows to sets 64 special day dates.

If two or more special days with same index or same time are entered only first one will be taken into account.

- FF and 255 values are used for not specified,
- FE – last day,
- FD – 2nd last day.

## 5.4.4 Register activation

With this object registers which values should be recorded and stored are determined. Selection of registers depends on meter type and configuration. Attribute 2 of this object shows which registers are available in the meter to register. Each register has its own index number and this index is used to identify the register which should be selected. There is a separate energy and maximum demand object where data to register can be set. Energy or demand objects can therefore be set separately with 16 different masks.

The complete set consists of

- 11 energy types (A+, A-, Q+, Q-, QI, QII, QIII, QIV, S+, S- and |A+|+|A-|), each having 8 tariff registers,
- 7 demand types (DA+, DA-, Abs(DA+), DQ+, DQ-, DS+ and DS-), each having 8 tariff registers.



For effective use of functionalities, meter must be properly configured.

### 5.4.4.1. Register Assignment

In total 88 objects are included in register assignment attribute of energy register activation object.

### 5.4.4.2. Mask List

For these objects in register assignment, 16 masks are available.

### 5.4.4.3. Active Mask

The attribute defines the currently active mask. The mask is defined by its mask name.

#### **Energy**

Register assignment includes all 88 rated energy objects from the meter.

#### **Maximum demand**

Register assignment includes all 56 rated maximum demand objects from the meter.

## 5.4.5 Tariff synchronization

This is the object where different tariff switching modes can be selected. There are two options:

- Tariff not synchronized with measuring period – Asynchronous (0),
- Tariff synchronized with measuring period – Synchronize (1).

If internal tariffication scheme via activity calendar is used, "0" (asynchronous) value should be used in object 0-0:128.10.1.255.

If tariff switching must be synchronous with the measuring period, activity calendar must be set up in such a way that this is achieved.

Explicitly setting value "1" (synchronize) to object 0-0:128.10.1.255 and using internal tariffication scheme via activity calendar will produce discrepancies between active mask attribute of register activation object and Currently active tariff object #1 on one side and cursor of active tariff on display and registration of energy in corresponding energy register on the other side. Therefore explicitly setting value "1" is feasible only if external tariffication scheme is used.



For effective use of functionalities, meter must be properly configured.

### 5.4.6 Currently active tariff

Currently active tariff is active mask of register activation object. It shows the tariff that is currently active.

This object is used to get information about which tariff is currently active. Information in the register is represented with a number or name that represents certain tariff. Table below shows this.

Register Value / Name x	Tariff	Display Flag
00 00	No Tariff	None
00 01 / name 1	1	Flag 1 lit
00 02 / name 2	2	Flag 2 lit
00 03 / name 3	3	Flag 3 lit
00 04 / name 4	4	Flag 4 lit
00 05 / name 5	5	Flag 1 flashing
00 06 / name 6	6	Flag 2 flashing
00 07 / name 7	7	Flag 3 flashing
00 08 / name 8	8	Flag 4 flashing

Table 35: Active tariff register

## 5.5. Communication

### 5.5.1 Optical interface

Optical interface operates according to IEC 62056–21 standard: Electricity metering: Data exchange for meter reading, tariff and load control, Part 21: Direct local data exchange (for remote data exchange see other standards of the IEC 62056 series). In such systems a hand-held unit (HHU) or a unit with equivalent functions is connected to a tariff device or a group of devices. The connection can be permanent or disconnectable using an optical or electrical coupling. The optical coupler is easily disconnectable to enable data collection via HHU.

The protocol permits reading and programming of tariff devices. It is designed to be particularly suitable for the environment of electricity metering, especially as regards electrical isolation and data security.

Optical interface is based on the reference model for communication in open systems. It is enhanced by further elements such as protocol controlled baud rate switchover, data transmission without acknowledgement of receipt. The protocol offers several modes for implementation in the tariff device. The HHU or equivalent unit acts as a master while the tariff device acts as a slave in protocol modes A to D. In protocol mode E the HHU acts as a client and the tariff device acts as a server.

Every meter has build-in optical communication. It is used for local meter data readouts and settings via PC, laptops or PDA devices.



Figure 65: Optical interface

#### 5.5.1.1. IEC 62056-21 optical port communication profile

This communication profile is intended to be used by older HHU devices which are not able to use DLMS protocol. As in previous communication profiles the application layer provides same services to access COSEM interface objects.

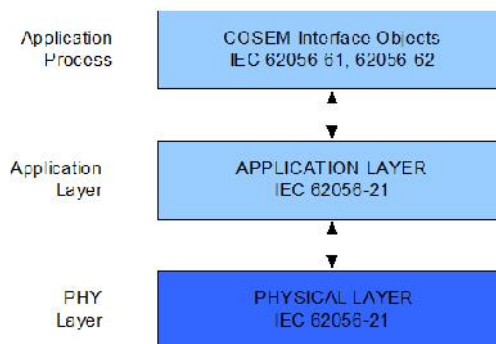


Figure 66: IEC optical port communication profile

#### 5.5.1.2. COSEM/DLMS over IEC 62056-21 optical port

This communication profile is added to meter to ensure using of the same protocol on different communication media.

The implementation provides mode “E” according to the IEC 62056-21 standard (formerly IEC 1107). During the opening sequence the meter (server) is able to advise the HHU (client), that the advanced

mode “E” is available. If the HHU acknowledges it, they will continue the data exchange using HDLC-based protocol. If the information exchange takes place then COSEM object model is used. If not data exchange continues in the conventional mode “C”.

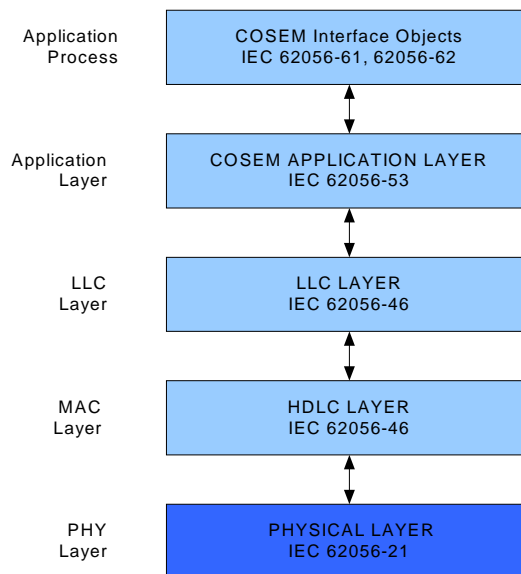


Figure 67: COSEM/DLMS optical port communication profile

### 5.5.1.3. IEC optical port setup

#### Communication Mode

Defines the protocol used by the meter on the port. It can be selected between these three modes:

- (0) - Protocol according to IEC 62056-21 (IEC 1107),
- (1) - Protocol according to IEC 62056-46 (DLMS UA),
- (2) - Protocol not specified; proposed baud rate is used for setting the communication speed.

#### Communication Speed

Default baud rate defines baud rate for the opening sequence. Proposed baud rate defines baud rate to be proposed by the meter (relevant only for communication type 0 – (1107, modes A to E). Communication speed up to 115200 baud is possible (recommended is 38400 baud). Selection for Default and Proposed baud rate can be made between these rates:

- (0) - 300 baud
- (1) - 600 baud
- (2) - 1200 baud
- (3) - 2400 baud
- (4) - 4800 baud
- (5) - 9600 baud
- (6) - 19200 baud
- (7) - 38400 baud
- (8) - 57600 baud
- (9) - 115200 baud

### Response Time

Response time defines the minimum time between the reception of a request (end of request telegram) and the transmission of the response (begin of response telegram). These two options are available:

- (0) – 20 ms,
- (1) – 200 ms.

### Device Address

Device address is intended to identify a meter in the group of meters. Each meter in one group must therefore have a unique number. Eight digits (1 to 9) should be used.

### Passwords

There is a password for communication channels:

- settings password (used in IEC 1107 where entrance password needs to match this password and one of four authentication keys); eight digits (1 to 9) should be used,

## 5.5.1.4. IEC HDLC setup

### Communication Speed

Selection can be made between these rates:

- (0) - 300 baud,
- (1) - 600 baud,
- (2) - 1200 baud,
- (3) - 2400 baud,
- (4) - 4800 baud,
- (5) - 9600 baud,
- (6) - 19200 baud,
- (7) - 38400 baud,
- (8) - 57600 baud,
- (9) - 115200 baud.

### Window Size Transmit

Attribute defines the maximum number of frames that a device or system can transmit before it needs to receive an acknowledgement from a corresponding station. During logon, other values can be negotiated.

### Window Size Receive

Attribute defines the maximum number of frames that a device or system can receive before it needs to transmit an acknowledgement to the corresponding station.

### Maximum Info Length Transmit

Attribute defines the maximum information field length that a device can transmit.

### Maximum Info Length Receive

Attribute defines the maximum information field length that a device can receive.

### Inter Octet Time Out

Attribute defines the time, expressed in milliseconds, over which, when any character is received from the primary station, the device will treat the already received data as a complete frame.

### Inactivity Time Out

Attribute defines the time, expressed in seconds over which, when any frame is received from the primary station, the device will process a disconnection. When set to 0, this means that the inactivity time out is not operational.

### Device Address

Attribute contains the physical device address of a device.

In the case of single byte addressing:

- 0x00 No Station Address,
- 0x01...0x0F Reserved for future use,
- 0x10...0x7D Usable address space,
- 0x7E 'Calling' device address,
- 0x7F Broadcast address.



For effective use of functionalities, meter must be properly configured.

## 5.5.2 P1 interface

Port P1 is a read only interface. The meter has only one port P1. It is possible to connect more than one device (OSM – Other Service Module) via splitter. Diagram for connecting one or more devices to port P1 is shown in figure below.

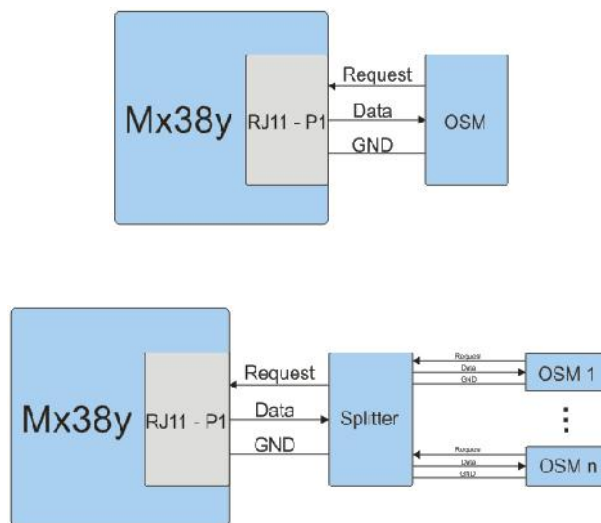


Figure 68: Diagram for connecting device to P1 port

To protect the meter and to lower the possibility of influencing the meter through the P1 port, it is equipped with an opto-coupler. The interface is protected against reversed connection and necessary over-voltage protection.

To ensure a safe, stable solution the connection consists of three signals:

- request signal,



- data signal,
- ground signal.

The port is activated by activating (raising) the request signal (~5V). While receiving data the requesting device must keep the request port activated (raised). The meter sends data to the P1 port every 10 seconds in order to receive frequent and up to date results.

When more than one OSM is connected to the meter, each OSM may request data input and all OSM will receive the same data sent by the meter.

There is no address for P1 devices and more than one OSM can be connected, activated or not. Dropping the request line by connecting to ground is not allowed, to prevent short circuit. Modulating the request signal is not allowed. Data transfer will stop immediately after the request signal is dropped.

The meter completes the data transfer within 8 seconds.

All signals are compliant with TTL levels with max current  $I_h(\max) = 30\text{mA}$  and voltage 30V.

### 5.5.2.1. P1 port settings

Parameters for P1 interface are set as:

- communication type is set to IEC 62056-21 (IEC 1107),
- communication speed is set to fixed 9600 baud,
- response time is set to 200ms,
- no addressing is necessary for this port,
- no passwords are used for this port,
- energy format is set to 8.2 (8 digits including 2 decimals) and with units  
Example: 1-0:1.8.0(000000.00\*kWh),
- demand format is set to 6.3 (6 digits including 3 decimals) and with units  
Example: 1-0:1.4.0(000.000\*kW).

### 5.5.2.2. P1 physical connector

The connector is RJ11. The metering system holds a female connector. The customer can plug in a standard RJ11 plug. Note that the connector in the metering system is physically accessible at all times and is not sealed or protected by a sealed cover.

Pin #	Signal name	Description
1		
2	Request	Input
3	GND	Ground
4		
5	Data	Output
6		

Table 36: RJ11 pins



Figure 69: P1 port connection

### 5.5.2.3. P1 port readout list

With this object data readout information can be set. This information can usually be retrieved locally over optical interface using IEC62056-21 mode C or remotely over P3 communication interface.



For effective use of functionalities, meter must be properly configured.

### 5.5.2.4. Consumer messages

If a device is connected, the meter will send the consumer message (code and/or text) over the P1 interface every 10 seconds.

The meter has storage capacity for one 64 character code message and one 1024 character text message. Both messages are handled independently, but in the same way.

#### **Consumer message code**

Consumer message code can be shown on P1 port and on the display. Maximum size value is 64. If more characters are written the last ones will be cut.

Message code can also be shown on general display (in visible string format) and stays there until message code is cleared (**Scroll** key pushed or empty value written). This message code has the priority above other display actions.

Only supported characters can be shown on display. If unsupported character is written in message code, it could not be formatted and message "Error 31" is presented on the screen which means that message formatting has been failed. More details can be found in chapter Console.



For effective use of functionalities, meter must be properly configured.

### Example:

ASCII message code presented on display as “tES123” and message code presented on P1 port as “74 45 53 74 31 32 33”.

Display:



P1 port:

/ISk5\2ME383-1007  
0-0:96.13.1(74455374313233)

### Consumer message text

Consumer message text is sent to port P1 without any further interpretation, with maximum of 1024 characters in ASCII format.



For effective use of functionalities, meter must be properly configured.

Example:

ASCII message text is presented on P1 port as “30 31 32 33 34 35 36 37 38 39”.

P1 port:

/ISk5\2ME383-1007  
0-0:96.13.0(30313233343536373839)

### 5.5.2.5. Protocol description

The protocol is based on NEN-EN-IEC 62056-21 Mode D. Data transfer is requested with request line and automatically initiated every ten seconds until request line is released.

The interface will use a fixed transfer speed of 9600 baud. There are no options to switch the transmission speed. Note this is not conforming to EN-IEC 62056-21 Mode D.

The meter transmits the data message immediately following the activation through the Request signal. A series of blocks containing the following are sent:

/XXXZ Identification CR LF CR LF Data ! CR LF

The data transmission is complete after the data message has been transmitted by the meter. An acknowledgement signal is not provided for.

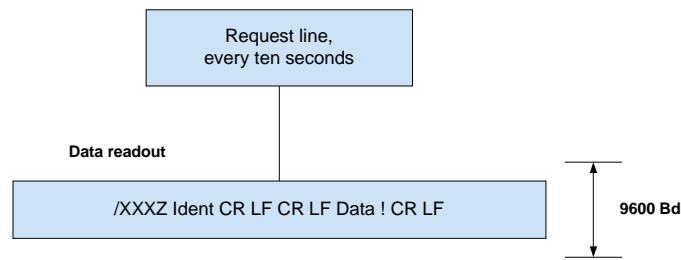


Figure 70: P1 port data string



For effective use of functionalities, meter must be properly configured.

### 5.5.3 M-Bus

M-Bus is an interface for gas meters (g-meter), gas valve, thermal (heat/cold) and water meters (w-meter). There is no separate interface for electricity meters (e-meter), since these meters are technically part of the metering system. It enables the communication between several types of meters and an e-meter, to which they are connected. The communication bus is based on the M-Bus standard.

The e-meter functions as the communication master, the other devices connected to the M-Bus function as slaves. M-Bus is a protocol that is described for remote reading of meters in the European standard EN 13757. It is a two wire system that provides power to the devices. The requirements for M-Bus are given in standard EN 13757 – 2. The bus interfaces of the slaves are polarity independent – the two bus lines can be interchanged without affecting the operation of the M-Bus devices. No physical access for P2 port is possible by customer. The connections to the M-Bus port are located behind a sealable lid.

Due to uniformity reasons and independency of used communication medium all data exchange over wired connection is encrypted. The Mx382 gathers and stores information from all connected meters or devices and forwards this information to the Central System. It also controls (e.g.) the gas valve. The maximum number of wired M-Bus devices associated with a single e-meter is four (each with current consumption of 1 unit load – 1,5mA; in total 6mA). Maximum current consumption of all connected M\_Bus devices is 8 unit loads.

The Mx382 is the master device, meaning that all communication is initiated from it. The maximum number of slaves in a master/slave wired configuration is four.

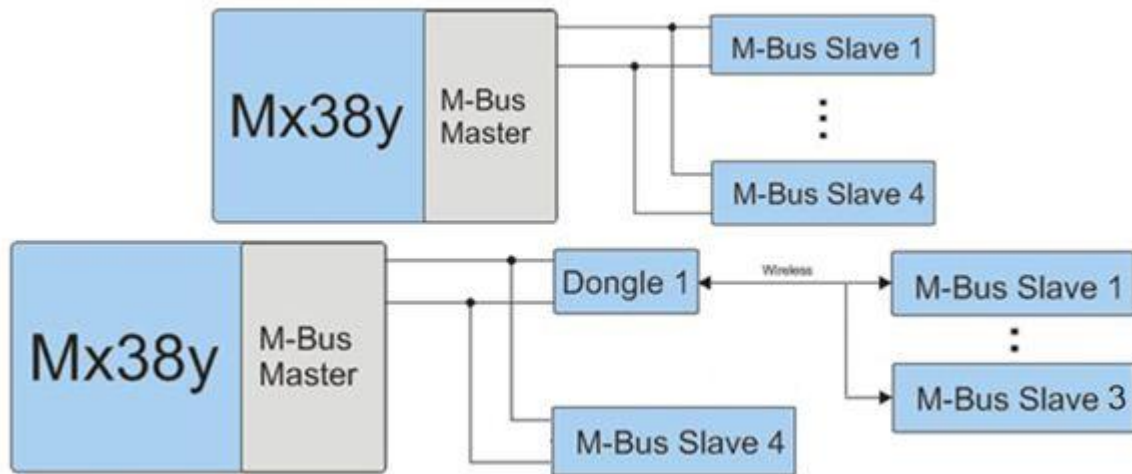


Figure 71: M-Bus master-slave configuration and dongle interface

As alternative solution for data exchange there is a combination of hardware or software paired meter-dongle interface. The dongle-master interface is conforming to the wired M-Bus specifications.

Wireless meter data are exchanged according to EN 13757-4 standard. Devices are connected through the wireless (RF) M-Bus connection according to the T1/T2 mode of this standard.

There is M-Bus communication interface integrated in all Mx382 meters according to EN 13757-2 and EN 13757-3 which enables connection of four slave devices (water, gas or/and heat meters) and maximum length of wiring 50 m.

**Communication specification:**

- The communication speed is 2400 baud.
- The e-meter act as an M-Bus master and the external device as an M-Bus slave. A maximum of four external slave devices is possible.
- The standard used for the application layer: EN 13757-3
- The standard used for the physical and link layer: EN 13757-2

During standard operation the e-meter will collect the consumption data by sequent polling the M-Bus by the available device addresses. A maximum four of the external M-Bus meters could be read. The retrieved data are organized in four measuring channels. One channel per each connected meter.

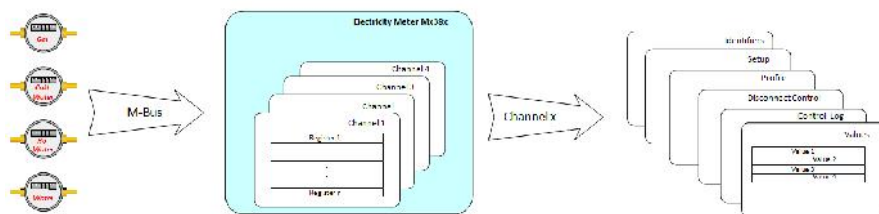


Figure 72: M-Bus channel model

Up to 4 values related to consumption data can be extracted from the M-Bus data frame and stored to the e-meter registers. Rule how to map data from the M-Bus data frame to the e-meter register could be defined by setting 4 DIF/VIF register for particular channel.



For effective use of functionalities, meter must be properly configured.

Read consumption values are represented forward to the system as COSEM extended register. Billing reads, data, could be retrieved daily, weekly, monthly at specified time or on request from the system.

### 5.5.3.1. M-Bus general installation procedures

During installation the M-Bus addresses of M-Bus devices will be registered in the e-meter. Note that there are two possibilities: that M-Bus device address is set to zero before installation or M-Bus device has already an address preset to the value different from 0.

M-Bus installation process is performed with three different actions:

- with Slave\_install method of the M-Bus Client Setup object (locally or remotely over communication interface),
- with pressing the **Reset** key on the front plate of the e-meter,
- with power up of the e-meter.

When an installation procedure is started the e-meter scans for physically connected M-Bus devices for addresses from 1 to 6, and then also for address 0. After M-Bus device is registered in the e-meter regular communications can begin.

### 5.5.3.2. Installation process

The uniqueness of M-Bus device identification is guaranteed with following parameters: M-Bus equipment identifier (Fabrication number), Manufacturer id, Version and Medium.

Not all M-Bus devices include M-Bus equipment identifier in their M-Bus frame which causes the problem to identify the device completely. Beside that most of M-Bus devices include Serial number in their data header, but some also do not.

Therefore scenario for installing the M-Bus device and logging the installation event in M-Bus standard event log is as follows:

1. If Serial number is available in M-Bus data header frame then event "New M-Bus device installed ch x [1]" is logged after first successful reading of device regardless on M-Bus equipment identifier (no encryption key needed at the moment).
2. If Serial number is not available but the M-Bus equipment identifier is then event "New M-Bus device installed ch x [1]" is set after first successful decryption of the frame (valid encryption key needed or no key needed if the data are not encrypted).
3. If none of those identifications are available (Serial number and M-Bus equipment identifier), then device is not installed properly (event for installation is not set [1]).

### 5.5.3.3. Scan for M-Bus devices

The e-meter manages a list of device addresses connected to. The list can hold four M-Bus devices. During installation, the e-meter will scan for devices on the wired M-Bus. All responding devices will be registered in the list.

If, for some reason, communication is required between e-meter and an M-Bus device registered in the list, a request for the reading will be pushed to the queue and executed after scanning stops.

Two methods are supported to discover M-Bus devices connected to e-meter:

- Poll for device with address 0,
- Poll for devices with unregistered address.

### 5.5.3.4. Poll for Devices with Address 0

Address 0 is reserved for unconfigured M-Bus devices. Each unconfigured M-Bus device shall accept and answer all communication to this address (EN 13757-2 section 5.7.5).

The e-meter will select an unused device address and set M-Bus device address to it. Following this procedure the e-meter will request M-Bus data, set event “New M-Bus device installed ch x [1]” and raise alarm “M-Bus device installed ch x”.

### 5.5.3.5. Poll for Devices with Unregistered Address

Poll method is based on the procedure outlined in EN 13757-3 section 11.5. Addresses from 1 to 6 are scanned and if there is at least one channel still empty also address 0 is scanned, no matter if the address of the M-Bus device connected is included in the list of managed M-Bus devices or not.

Secondary address searching is not used. Following this procedure the e-meter will poll for the device specific data.

While scanning, if a device answers on an address, the e-meter checks if the used address is in the list or not.

- If the used address is already in the list and answering M-Bus device is already in the list of managed M-Bus no action will follow.
- If the used address is already in the list and the answering M-Bus device is not same to device already stored in the list of managed M-Bus devices, old M-Bus device is replaced with answering M-Bus device, event “New M-Bus device installed ch x [1]” is set and alarm “M-Bus device installed ch x” is raised.
- If the used address is available and the answering M-Bus device is not in the list, a device is added to the list of managed M-Bus devices, event “New M-Bus device installed ch x [1]” is set and alarm “M-Bus device installed ch x” is raised.
- If the used address is available and the answering M-Bus device is already in the list, a device is set to new available address, event “New M-Bus device installed ch x [1]” is set and alarm “M-Bus device installed ch x” is raised.

### 5.5.3.6. Key Installation

An installation procedure for M-Bus devices can be triggered by pushing an **Reset** key located under a e-meter's key cover (see figures below), “P2 SEArch” is displayed first.



When a key is pressed e-meter starts to poll for device with an unregistered addresses from 1 to 6. After that it will start to poll for devices with address 0. After successful installation, at least one of the M-Bus devices on e-meter's display a flag designated with MB will be set on.

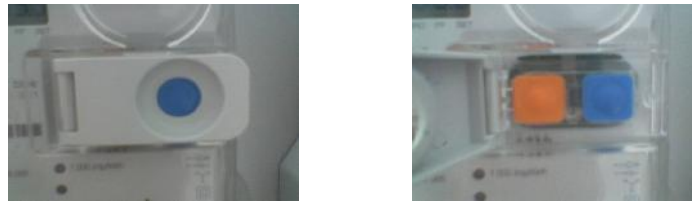


Figure 73: Keys

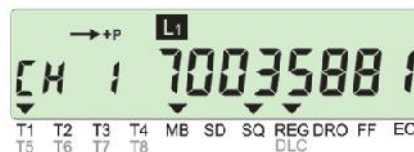
### 5.5.3.7. M-Bus display flag

MB flag is present on the display as long as if at least one M-Bus device is physically connected to the bus. If none of the devices are connected to the bus, then MB flag turns off after first capture even if the devices are correctly installed in the e-meter.

In addition to the MB flag on a scroll list with identification numbers (the sixth attribute of the M-Bus Client Setup class 72) of registered M-Bus devices which are able to communicate will pop-up on display.

The identification numbers are listed in following format: CH x 12345678.

The first 5 digits are used to display a number of the M-Bus channel and 8 last digits to display M-Bus device identification number. The display of the identification numbers will be exchanged with period of 10 seconds. After an interval of 120 seconds the pop-up list will disappear and display mode will be changed to normal auto scroll mode.



\* DLC flag is present only on Mx381 meter  
 \*\* SQ and REG flags are present only on Mx382 meter

Figure 74: Example for channel



#### 5.5.3.8. M-Bus client setup

An M-Bus master device may have one or more M-Bus interfaces, which can be configured using instances of the M-Bus client setup interface class (class ID 72). Each M-Bus client setup object controls one M-Bus slave device.

An M-Bus slave device is identified with its Primary Address, Identification Number, Manufacturer ID etc. as defined in EN 13757-3 Clause 5, Variable Data respond. These parameters are carried by the respective attributes of the M-Bus master setup IC.

Values to be captured from an M-Bus slave device are identified by the Capture definition attribute, containing a list of data identifiers (DIB – data information block, VIB – value information block) for the M-Bus slave device.

Values from a slave device can be captured into M-Bus master value objects and M-Bus master profile generic objects, periodically or on an appropriate trigger. It is also possible to perform operations like installing and de-installing devices, setting the clock, setting the encryption key to M-Bus master and slave.

Object includes setup parameters for M-Bus master for every M-Bus client. There is an object for each of four channels (b=1-4).

#### 5.5.3.9. M-Bus identification numbers

##### **Device ID1**

Device ID1 is M-Bus Equipment identifier. There is one object for each of four channels (b=1-4).

M-Bus equipment identifier is one of the parameters which define uniqueness of the device. For successful reading of this identifier M-Bus device data must be unencrypted or successfully decrypted (the proper encryption key must be previously uploaded to e-meter and M-Bus device). After that binding process is completed.

##### **Device ID2**

Device ID2 is M-Bus Configurator data identifier. There is one object for each of four channels (b=1-4).

#### 5.5.3.10. M-Bus result

M-Bus Master Value (result) holds last captured M-Bus value. There are four result objects for each of four channels (b=1-4; e=1-4).

#### 5.5.3.11. M-Bus load profile

M-Bus Master Load profile has hourly interval readings of M-Bus devices. The buffer must be filled monotonously, i.e. no irregular entries are allowed. The profile is compressed type. Captured objects include clock, status and M-Bus value objects (maximum 4). There is one object for each of four channels (b=1-4).

### Capture Objects

Up to 6 objects can be set as capture objects.

### Capture Period

Capture period defines the time distance between two captured data (seconds). The period is synchronized with the hour (or minute); it always begins at completed hour (or minute). Value 0 of "capture period" means no registration. Following capture periods (in seconds) are recommended to choose from:

- No registration – (0),
- 5 minute recording period – (300),
- 15 minute recording period – (900),
- 30 minute recording period – (1800),
- 1 hour recording period – (3600),
- 1 day recording period – (86400).

### Specific Methods

M-Bus master load profile has two methods implemented:

- Reset (erases captured values),
- Capture (performs capturing when executed) - not supported for M-Bus load profile.



For effective use of functionalities, meter must be properly configured.

#### 5.5.3.12. M-Bus status

M-Bus status object shows the sum of status register bits set. Each bit has a different meaning as shown below. There is one status object for each of four channels.

#### 5.5.3.13. M-Bus event log

M-Bus Event Log contains errors and alarms related to M-Bus devices (e.g. changes of the clock, communication errors, fraud attempt, etc). The buffer must be filled monotonously, i.e. no irregular entries are allowed. M-Bus Event Log structure consists of Timestamp and Event Code.

#### 5.5.3.14. M-Bus event log status codes

M-Bus event code object holds the code from the last event triggered. These codes along with timestamps are then used in M-Bus event log.

#### 5.5.3.15. M-Bus disconnect control

##### **M-Bus master disconnect control**

The object (0-b:24.4.0) controls the opening and closing of an M-Bus disconnecter (e.g. gas valve). There is one object for each of four channels (b=1-4).

**Disconnect control mode:**

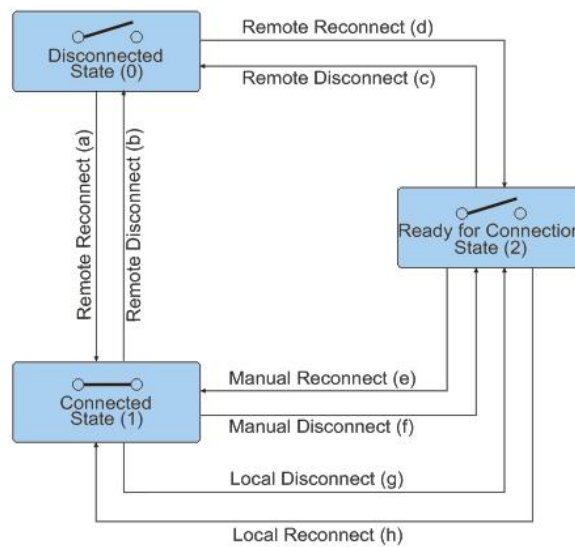


Figure 75: M-Bus disconnect state diagram

It defines the mode of operation of M-Bus Disconnect control. These are possible modes:

Mode	Description
0	None The disconnect control processes the command to go in 'connected' state
1	Disconnection: Remote (b, c) Local (g)
	Reconnection: Remote (d) Manual (e) – Press the key on M-Bus device
2	Disconnection: Remote (b, c) Local (g)
	Reconnection: Remote (a) Manual (e) – Press the key on M-Bus device
3	Disconnection: Remote (b, c) Local (g)
	Reconnection: Remote (d) Manual (e) – Press the key on M-Bus device
4	Disconnection: Remote (b, c) Local (g)
	Reconnection: Remote (a) Manual (e) – Press the key on M-Bus device
5	Disconnection: Remote (b, c) Local (g)
	Reconnection: Remote (d) Manual (e) – Press the key on M-Bus device Local (h)
6	Disconnection: Remote (b, c) Local (g)
	Reconnection: Remote (d) Manual (e) – Press the key on M-Bus device Local (h)

Table 37: M-Bus disconnect modes

**Disconnect Output State:**

Disconnect Output State shows the actual physical state of the disconnect unit.

- (0) – False,

- (1) – True.

**Disconnect Control State:**

Disconnect Control State defines the internal state of the disconnect unit. In the state Disconnected the meter disconnects the customer. In the state Connected the customer is connected to the network (gas, water...). In the state Ready to reconnection customer can perform reconnection manually on the meter. Possible Disconnect control states are:

- (0) - Disconnected – Customer is disconnected,
- (1) - Connected – Customer is connected,
- (2) - Ready for reconnection – Customer is disconnected. Reconnection needs to be performed manually on the meter.

**Method Description:**

- **Remote disconnect** forces the disconnecter into ‘disconnected’ state if remote disconnection is enabled (control mode > 0).
- **Remote reconnect** forces the disconnect unit into the ‘ready for reconnection’ state if a direct remote reconnection is disabled (control mode = 1, 3, 5, 6), and forces it into the ‘connected’ state if a direct remote reconnection is enabled (control mode = 2, 4).

**M-Bus disconnect control scheduler**

M-Bus disconnect control scheduler (0-1:15.0.1) is dedicated time point for connection or disconnection. There is one object for all four M-Bus channels used.

Executed Script:

For executed script M-Bus Disconnect control script table (0-1:10.0.106) should be used. Selector needs to be selected according to the M-Bus channel used and according to selected command (connect/disconnect).

**M-Bus disconnecter script table**

There are 8 scripts defined to control each of four channels with remote reconnect and remote disconnect service.

**M-Bus master control log**

Changes of the states (opened, closed, ready for reconnection) related to the M-Bus disconnect control are recorded. There is one object for each of four channels (b=1-4). Contains all events related to an M-Bus disconnecter, e.g. a gas valve (open valve, close valve). M-Bus master control log structure consists of Timestamp and Event Code.

**M-Bus control event codes**

M-Bus control event code object holds the code from the last event triggered. These codes along with timestamps are then used in event log. There is one object for each of four channels (b=1-4).

**M-Bus client configuration**

Object (0-0:128.50.1) is intended for additional configuration for different kind of M-Bus functionality behaviour. There are a lot of different scenarios of M-Bus functionality possible for some actions, for example transferring the encryption key to the M-Bus slave, handling the M-Bus value registers, profiles and logs in the case of decommissioning of the M-Bus slave, handling the capture actions in relation with M-Bus device id, etc.

### 5.5.3.16. M-Bus alarms

There are four different groups of alarms used for M-Bus events which are directly related to devices, connected to the e-meter:

- M-Bus communication error,
- M-Bus fraud attempt,
- M-Bus device installed,
- M-Bus valve alarm.

Each group consists of four different alarms, one per channel (1 - 4).

Alarm	Alarm set condition	Alarm reset condition
M-Bus Communication error	After 3 unsuccessful readings of the M-Bus device (device is physically disconnected)	After first successful reading of the M-Bus device after communication error (device is physically connected again)
M-Bus fraud attempt	When the data is successfully received from the M-Bus device and bit 6 (Fraud attempt) in the Error status code of the Fixed data header is set	When the data is successfully received from the M-Bus device and bit 6 (Fraud attempt) in the Error status code of the Fixed data header is cleared
M-Bus device installed	After successful installation of the M-Bus device to the free channel	After successful de-installation of the M-Bus device from the channel (when Slave de-install method or M-Bus remove method are invoked)
M-Bus valve alarm	When M-Bus device sets the bit 7 in Status attribute of the M-Bus Client Setup object	When M-Bus device clears the bit 7 in Status attribute of the M-Bus Client Setup object

Table 38: M-Bus alarms

## 5.5.4 GSM/GPRS communication module

A GSM/GPRS module supports communication over a cellular network using a modem, which is controlled by the meter. The meter's port on which a GSM/GPRS module is located executes an additional stack of protocol layers in order to provide necessary support for the modem to be operational. These layers can be separated as:

- multiplex layer,
- GSM/GPRS layer.

The implemented GSM/GPRS communication module is a class B modem, meaning that in the presence of a circuited-switched service an ongoing GPRS service is placed on hold.

### Multiplex layer

The multiplex layer is implemented according to 3GPP TS 27.010 specification and enables multiple virtual channels to be created on a physical serial link. This way a GPRS or a CSD data session can run alongside the execution of AT commands.

### GSM/GPRS layer

The GSM/GPRS protocol layer provides the following services:

- modem initialization,
- GSM/GPRS network diagnostic,
- CSD data transfer (GSM),

- packet oriented data transfer (GPRS),
- SMS functionality,
- modem reset.

Communication with the modem is established using virtual channels provided by the multiplexer layer.

Application layer has possibility to manage GSM/GPRS network connection with objects Auto connect (0-0:2.1.0.255) and Auto answer (0-0:2.2.0.255). Meter registration is provided over GPRS or SMS communication and works with interaction with Push functionality.

#### 5.5.4.1. Modem initialization

During a modem initialization phase a series of preset AT commands is sent to the modem to ensure properly modem configuration. An invalid response or no response to any of these commands can result in a modem reset when a valid response to at least one initialization command is not received within a 60 second limit.

Besides the preconfigured initialization commands, the additional COSEM object can be used to set custom modem initialization commands. These initialization commands are sent to the modem following normal modem initialization process which is executed after each modem reset.

The commands are set using the Modem configuration COSEM object (0-0:2.0.0\*255). Up to five custom commands can be defined at the time. After all of the preconfigured initialization commands are sent (but not necessarily properly acknowledged by the modem) the transmission of custom commands takes place. Similarly, these commands need not to be acknowledged by the modem for the next phase (i.e. diagnostic process) to begin. In case of no response or an invalid response from the modem, the custom command is resent but for no more than 100 times. The described modem initialization service is repeated (before each diagnostic process cycle) until every initialization command is acknowledged properly or a modem reset is performed.

The attributes of Modem configuration object are presented here:

##### **Communication speed**

Communication speed is the speed between the device and the modem, not necessarily the communication speed of the WAN:

- 300 baud – (0),
- 600 baud – (1),
- 1200 baud – (2),
- 2400 baud – (3),
- 4800 baud – (4),
- 9600 baud – (5),
- 19200 baud – (6),
- 38400 baud – (7),
- 57600 baud – (8),
- 115200 baud – (9).

The attribute is of no relevance to the meter, since the baud rate on port using GSM/GPRS modem is fixed to 115200 bps.

##### **Initialization string**

The initialization string contains all the necessary initialization commands to be sent to the modem in order to configure it properly. If the array contains of more than one initialization string element, the

requests are sent in a sequence. The next request is sent after the expected response matching the previous request and waiting a delay after response time (in ms), to allow the modem to execute the request.

**Modem Profile**

It defines the mapping from Hayes standard commands/responses to modem specific strings. The attribute is not used by the meter.

**5.5.4.2. GSM/GPRS network diagnostic**

The modem initialization service is followed by the network diagnostic service. It produces a sequence of diagnostic commands which are sent to the modem every 10 seconds. One diagnostic sequence contains the following set of commands:

- AT+CPIN? (request SIM status),
- AT+CSQ (request signal quality),
- AT+CREG? (request GSM registration status),
- AT+CGREG? (request GPRS registration status),
- AT+COPS? (request network operator name),
- AT+CGACT? (request PDP context activation status),
- AT+CPMS? (request preferred message storage selected).

Each request must result in a corresponding respond. When no response or an invalid response is received, the error is noted by the GSM/GPRS layer implemented in the meter. If erroneous condition exists for more than 60 seconds, a modem restart sequence is initiated. The erroneous condition is fulfilled when a valid response to at least one diagnostic command is not received within a 60 seconds limit.

To provide information about modem operation and its registration to different networks several diagnostics COSEM objects are implemented:

**GSM signal quality** object value presents network signal strength. The value is retrieved as an <rss> element, as a response to the AT+CSQ command. The retrieved values (as defined in 3GPP TS 27.007) have the following meaning:

- 0 -113 dBm or less,
- 1 -111 dBm,
- 2...30 -109... -53 dBm,
- 31 -51 dBm or greater,
- 99 not known or not detectable.

The value attribute of the GSM signal quality object can also contain value 255. The value indicates that no valid response to the last AT+CSQ command was received from the modem.

**GSM status** object contains bit organized information about modem operation. The detailed bit description is presented in the table below:

Bit	Bit description
0	Modem registered to GSM network (home or roaming)
1	Installation call done or not active
2	Modem registered in GPRS network (home or roaming)
3	Modem has active PDP context
4-7	Reserved for future use
8	SIM card not detected or giving error response

9	SIM card requires PIN or PUK code
10	Modem reset pending
11	Installation call failed
12-15	Reserved for future use

Table 39: GSM status

**ID GSM ICCID** (0-0:128.20.2.255) object contains SIM identification number which is a 20-digit long number used for physical SIM card identification.

**GSM program version** (0-0:128.20.3.255) object contains a special string to identify firmware of the integrated modem. Version should be 7.46 or above.

**GSM IMEI** object (0-0:128.20.4.255) contains the IMEI number of the integrated modem. IMEI is a unique identification of every device that communicates in mobile networks.

**GSM network name** (0-0:128.20.5.255) object presents the name (in alphanumeric format) of the currently registered mobile network. If modem is not yet registered to the mobile network the object's value field is empty.

**GSM WIPsoft program version** (0-0:128.20.6.255) object contains a special string to identify WIPsoft program version of integrated modem. Version should be 5.42 or above.

**GSM signal strength indication limit 1** (0-0:128.20.11.255) and **GSM signal strength indication limit 2** (0-0:128.20.12.255) objects are used in conjunction with console's triangular cursor segments. If any of the cursors available is defined as a Signal Quality Indicator (SQ), the GSM signal strength indication limit 2 object represents the threshold after which the network signal is considered sufficient (resulting in SQ cursor being displayed). If the received network signal strength is below the value specified in GSM signal strength indication limit 1 object, SQ cursor is not displayed at all. Lastly, if the received network signal strength is between the values specified by both objects, the SQ cursor blinks.

At startup or after every modem reset the value attribute of ID GSM ICCID, GSM IMEI and GSM network name diagnostic objects contains "Reading..." if the specific information has not yet been retrieved from the modem.

### 5.5.4.3. CSD data connection (GSM)

When modem receives call, it sends the unsolicited ASCII "+CRING: <type of call>" string to the meter's application. To get more information about incoming call (voice or data) is enabled by the initialization command (AT+CRC=1). In order to be able to recognize the caller, at modem initialization meter activates calling number presentation (AT+CLIP=1). Upon receiving the "+CRING: <type of call>" and the "CLIP" string, meter decides whether to accept or reject incoming call. In case of accepted call meter sends a confirmation command (ATA) to the modem. The confirmation command is only sent if no other call is currently in progress. The GSM/GPRS layer's process responsible for managing GSM connections then enters "connect" state where it awaits for the unsolicited "CONNECT" string. After the "CONNECT" string is received, the process enters online state. The connection is considered to be established and the data transfer can begin. If the "CONNECT" string is not received within the valid time (i.e. the connection timeout has elapsed) or one of the unsolicited



strings “NOCARRIER”, “BUSY” or “NODIALTONE” is received instead, the corresponding process re-enters “idle” state, during which new incoming connections are possible.

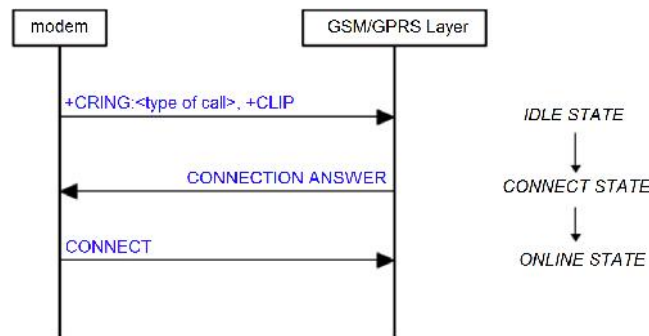


Figure 76: State transitions during a successful call establishment procedure

#### 5.5.4.4. Packet data connection (GPRS)

The meter supports communication through GPRS mobile networks. In order to be visible within a GPRS network, the meters must establish connection to GPRS network first. Using special connection management functionality, meter can either be always connected to the GPRS network or only on request.

When meter starts the modem, it does not connect to GPRS network by default (this means that modem is also not attached to GPRS network). Only when GPRS connection request is triggered from connection management block, meter starts activating GPRS connection. The meter first requests the modem to attach to GPRS network. When attach is confirmed, PDP context activation is requested by the meter using configured APN, username and password. Dedicated object called *GPRS Modem Setup* is used for configuration of APN.

**GPRS Setup** object attributes are used in the following way:

- **APN**  
String defines the access point name of the network. The size of the APN string is limited to maximum 40 characters.
- **PIN code**  
Enter value 0 if PIN code is disabled on the SIM card.  
If PIN code is not disabled on the SIM card, PIN code should be entered in this field. The size of the PIN code string is limited to maximum 4 characters (numbers).

Username and password for GPRS PDP context activation can be configured in PPP Setup object.

**PPP Setup** object attributes are used in the following way:

- **PHY reference**  
References another object by its logical\_name. The object referenced contains information about the specific physical layer interface, supporting the PPP layer. GPRS Setup object is referenced by default.
- **LCP options**  
This attribute contains the parameters for the Link Control Protocol options. From the whole set of available options, only Authentication protocol is used. Authentication protocol option must be configured for PAP protocol.

- **PPP authentication**

Contains the parameters required by the PPP authentication procedure used. PPP authentication must be configured with appropriate PAP username and password, which will be accepted by the network when PDP activation request is sent. The size of the username and password strings is limited to maximum 32 characters.

After modem confirms PDP activation to the meter, meter activates appropriate server sockets (COSEM wrapper) in order to be able to communicate with remote peers.

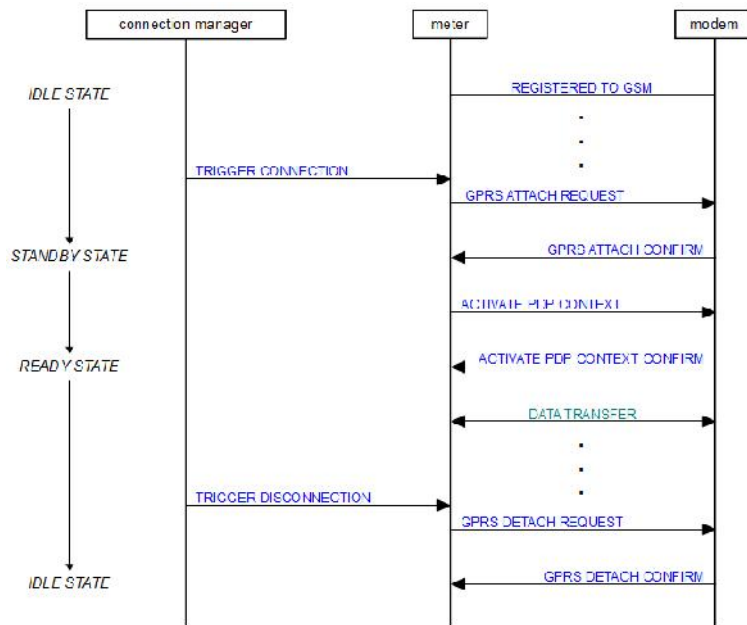


Figure 77: GPRS connection establishment process

When connection manager in the meter requests disconnection from GPRS network, meter sends PDP deactivation request to the modem, followed by a detach request. After this, meter is completely disconnected from GPRS network (also not attached), being only registered to GSM network.

In the process of PDP context activation, modem connected to GPRS gets its IP address assigned by the network. The assigned IP address can be seen in IPv4 Setup object.

IPv4 Setup object attributes are used in the following way:

- **DL reference**  
References a Data link layer (e.g. Ethernet or PPP) setup object by its logical name. The referenced object contains information about the specific settings of the data link layer supporting the IP layer. PPP Setup object is referenced by default.
- **IP address**  
Attribute carries the value of the IP address (IPv4) of the meter when connected to GPRS network. If no IP address is assigned, the value is 0.

In case of unsuccessful GPRS connection establishment, connection manager takes care of possible retries if configured.



For effective use of functionalities, meter must be properly configured.

### 5.5.4.5. Short message service (SMS)

This chapter specifies the message protocol that is used to communicate between an Iskraemeco GSM enabled meter (referred to herein as “meter”) and the customer system used to collect data and manage the meters (referred to herein as “customer management system”). The transport mechanism for the meter message interface is Short Message Service (SMS) provided by the GSM network.

The SMS message, as specified by the ETSI organization (documents GSM 03.40 and GSM 03.38), can be up to 160 characters long, where each character is 7 bits according to the 7-bit default alphabet. Eight-bit messages (max. 140 octets) are also available and are designed for data applications. The eight-bit PDU mode will be used to transfer SMS messages.

SMS functionality has three features:

1. Incoming SMS data length is limited to one SMS to 140 octets and can be used to set some meter’s objects or to trigger some actions.
2. Empty incoming SMS (data length 0) triggers GPRS wake-up procedure (establishing PDP context).
3. Outgoing SMS (triggered by the Push setup) is used to send a meter’s objects to defined GMS subscriber (phone number).

The SMS channel supports xDLMS services with the following restrictions:

- SMS is used as one-way channel only,
- therefore only unconfirmed services are allowed (from client: SET, ACTION, unconfirmed, to client: Data-Notificaton),
- therefore communication is restricted to/from the Pre-established client only.

Security for SMS wake-up:

Only SMS which are explicitly white listed in the attribute “list\_of\_allowed\_callers” of the object “Auto Answer” are accepted by the meter.

Receiving unconfirmed services from HES:

- Only possible in pre-established association,
- Depending on the security policy set global broadcast encryption and/or global authentication key may be used,
- Services: unconfirmed SET and unconfirmed ACTION.

SMS:

The phone number is ASCII encoded, first digit left, only numbers, no blanks.

#### SMS initialization

For successful usage of SMS functionality two settings have to be performed:

- Setting SMS centre address (SCA),
- Add initialization string to Modem configuration, 0-0:2.0.0\*255, attribute 3 (Initialization string).

Modem configuration - Initialization string	Value
1. Request	+CSCA="+38641001333",145
2. Response	OK
3. Delay after response	3000

Table 40: SMS centre address setting

Table above shows example of setting SMS centre address phone number to +3864100133 (145 = international format ).

Setting auto answer object:

Only SMS which are explicitly white listed in the attribute “list\_of\_allowed\_callers” of the object “Auto Answer” are accepted by the meter.

“Call type” should be set to “Wake-up request”

Auto answer - List of callers	Value
1. Caller ID	*40123456
2. Call type	1 – Wake-up request

Table 41: Auto answer SMS list allowed callers

The table above shows example of phone number 040123456 (national format) or +38640123456 (international format) from which is allowed to receive SMS.

To support both national and international phone number format, it is advised to use wildcard (\*) instead of explicit phone number (\*40123456 instead of 040123456 or +38640123456).

**SMS APDU**

The xDLMS PDUs are transported via the SMS channel by means of the “SMS Short Wrapper” defined below, where IDIS uses for the client the SAP (source and destination) 102 and for the server SAP (source and destination) 001.

SMS Short Wrapper:

The payload of an SMS message is the xDLMS APDU prepended with the identifier of the Destination\_SAP and the Source\_SAP as shown in figure below:



Figure 78: Destination\_SAP and Source\_SAP

Dst\_SAP = Destination SAP

Src\_SAP = Source SAP

Outgoing SMS (Meter → HES):

Destination SAP = 102

Source SAP = 001

Incoming SMS (HES → Meter):

Destination SAP = 001

Source SAP = 102

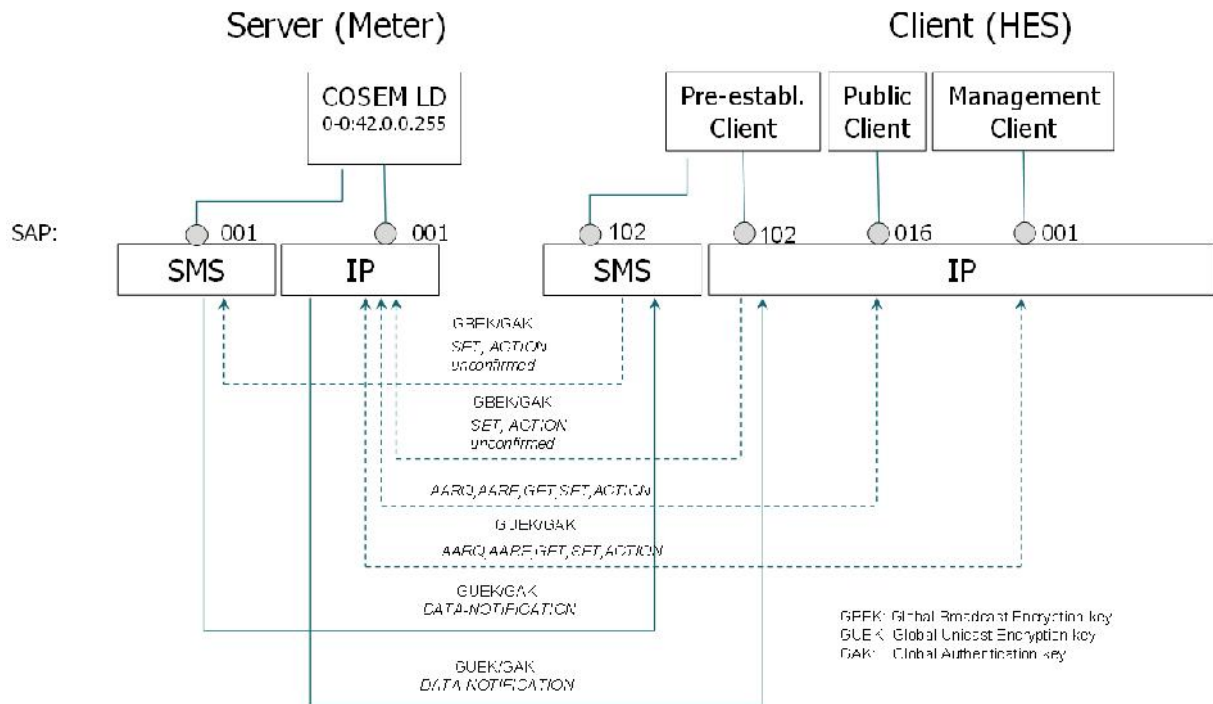


Figure 79: IDIS client and server model

### Outgoing SMS

Sending SMS is triggered by the executing Push setup methods.

Push setup
1. Push setup – On wake-up
2. Push setup – Interval 1
3. Push setup – Interval 2
4. Push setup – Interval 3
5. Push setup – On alarm
6. Push setup – On power down
7. Push setup – Consumer Information (optional)
8. Push setup – On installation

Table 42: Push setup list

Push setup should be set to:

- Push object list:
  - Any COSEM object in meter with read access,
- Service type:
  - 4 – SMS,
- Destination type:
  - Phone number (ex: 0038641123456, +38641123456, 041123456),
- Message type:
  - 0 – COSEM APDU.

Detailed description of Push setup attributes is in chapter Push Setup.

Service Centre Address (SCA) used for SMS sending (SMS-SUBMIT) should be set prior executing the method (see chapter SMS initialization).

Data Coding Scheme (DCS) is always set to “8-bit data coding in the User Data”:

DCS Settings	
Meter → HES	0xF4

The VP (Validity Period) is the information field that gives an SME submitting an SMS-SUBMIT to the SMSC the possibility to include a specific time period value in the short message. The VP parameter value indicates the time period for which the short message is valid, i.e. for how long the SMSC shall guarantee its existence in the SMSC memory before delivery to the recipient expires.

VP Settings	
Meter → HES	0xA7 (= 24 hours)

If XDLMS APDU data length is less than or equal to 138 octets (140 octets maximum SMS APDU – 2 octets for SMS Short Wrapper Header), meter sends Push data in single SMS.

If data length is greater, meter sends two or more concatenated SMSes (according to specifications 3GPP TS 23.040). In this case, each part includes additional 6 octets User Data Header (8 bit reference number).

Maximum data length (SMS Short Wrapper Header + Push data) is limited to  $255 * (140 - 6)$  octets = 34.170 octets (see also chapter Concatenated SMS).

### Incoming SMS

When incoming SMS is received, sender’s phone number is compared with “List of callers” of the object 0-0:2.2.0.255 (Auto answer) and if “Wake-up request” Call type is selected. If sender’s phone number is not on the list, or Call type is incorrect, SMS is discarded.

Coding of incoming SMS is always interpreted as 8-bit, regardless of Data Coding Scheme (DCS) of the received SMS.

Length of incoming SMS is limited to 140 octets<sup>1</sup> (single SMS). Length of xDLMS APDU data is 138 bytes (decreased by 2 octets used for SMS Short Header).

Incoming SMS Short Header is checked for correct association. Only pre-establish client association is allowed:

- Client (HES) – source – Association 102 (pre-establish client),
- Server (Meter) – destination – Association 001 (management server).

If SMS Short Header is not correct, SMS is discarded.

SMS Short Header	
0x01	Destination SAP – Server (Meter) – 001
0x66	Source SAP – Client (HES) – 102
xDLMS APDU	

<sup>1</sup> Length of incoming SMS is limited to 140 octets with the macro `GSM_SMS_IN_CONCAT_MAX_SEGMENTS`. Increasing SMS length requires more system resources (RAM, program code, netbuffers).

0xC1	COSEM DPU (CosemSetRequest)
0x01	COSEM ADPU type (Normal)
0x00	Invoke ID and Priority
0x00	Class ID
0x01	
0x00	Instance ID 0-0:96.13.0.255 (Consumer message text – Consumer information)
0x00	
0x60	
0x0D	
0x00	
0xFF	
0x02	Attribute ID
0x00	AccessSelection
0x09	COSEM data: abcdef
0x06	
0x61	
0x62	
0x63	
0x64	
0x65	
0x66	

Table 43: Example of SMS PDU

**SMS wake-up request (empty incoming SMS)**

When empty incoming SMS is received, sender’s phone number is compared with “List of callers” of the object 0-0:2.2.0.255 (Auto answer) and if “Wake-up request” Call type is selected. If sender’s phone number is not on the list, or Call type is incorrect, SMS is discarded.

The received message must be completely empty, otherwise it is not treated as a wake-up message. When Auto connect (0-0:2.1.0.255) Mode is 103 or 104, GPRS connection (PDP context) is established (GPRS Wake-up request).

**Concatenated SMS**

If data length, that has to be transferred by SMS, is greater than 140 octets, SMS is divided to multiple SMS-es, according to SMS Point to Point specification, 3GPP TS 23.040: Technical realization of the Short Message Service (SMS).

In every SMS segment, UDHI bit of PDU-type is set to 1: beginning of the User Data field contains additional 6 octet (8-bit reference number) Concatenated SMS header. Therefore every SMS segment holds 134 octets of user data.

Maximum number of SMS segments is 255. Maximum data length for the concatenated SMS is limited to  $255 * (140 - 6)$  octets = 34.170 octets.

Table below shows the concatenated SMS (User data header + User data).

User Data Header (6 octets)	
0x05	UDHL (User Data Header Length)
0x00	IEI (Identity Element Identifier): 0x00 = Concatenated message, 8 bit reference number
0x03	IEDL (Identity Element Data Length)
0xXX	Reference number of this concatenated number. Each part must have the same reference number.

0xNN	Total number of concatenated message parts (2 < 0xNN < 0xFF)
0xMM	Number of this concatenated message part (1 < 0xMM < 0xNN)
<b>User Data (max. 134 octets)</b>	
0xYY	User Data
...	
0xZZ	

Table 44: Concatenated SMS



For effective use of functionalities, meter must be properly configured.

#### 5.5.4.6. Modem reset

Once the GSM/GPRS communication modem is running, network specific errors or broken connections can cause the modem to become unresponsive to subsequent communication attempts. The implemented modem reset mechanism enables the automatic restart and re-initialization of the GSM/GPRS communication module, thus restoring it back to the fully operational mode.

Each time a modem reset is required, the meter attempts to perform a software reset (using corresponding AT commands) first. If a software reset proves to be unsuccessful, a hardware reset is performed by triggering modem HW reset signal. The occurrence of modem reset events is recorded in the Communication event log (0-0:99.98.6.255) object under “Modem SW reset” (249) or “Modem HW reset” (250) events.

The following scenarios can cause the modem reset to occur:

- error in modem initialization,
- error in modem diagnostic,
- error during a CSD/GPRS connection,
- no connection timeout has expired.

An error in initialization triggers a modem reset if the cause of the error is not resolved after 60 seconds from the time the error originated. This type of error occurs:

- when the modem does not respond properly in time to the first AT command sent by the meter,
- the modem’s multiplexer mode could not be started,
- modem replies to any subsequent (followed by the start of the multiplexer mode) AT commands were invalid or not received.

As described in chapter - **Error! Reference source not found.**, modem diagnostics process constantly runs in the meter. In case of invalid or no response to diagnostic command for the period longer than 60 seconds, meter triggers modem reset. Diagnostics process also triggers modem reset in the following conditions last for more than 600 seconds:

- modem does not return SIM ready,
- modem reports signal quality 0 or 99,
- modem is not able to register into GSM network.



The modem reset is triggered if a CSD/GPRS service cannot be established or if an error in the termination of the service occurs due to some network specific error which results in GSM/GPRS modem interface not being accessible to the connecting clients.

Each communication port has a separate timer which records the time duration since the last successful communication over that particular port. A common timer for recording the time duration since the last successful communication over any of the available ports is also implemented. When the timer expires, the ports affected are re-initialized. If the port to be re-initialized is used as a GSM/GPRS communication interface, additionally a modem reset is performed prior to any port re-initialization.

The No connection timeout (0-0:128.20.30.255) object is used to configure timeout parameter for the timers described above. The object is set to 30 hours by default. Each time a new value for the No connection timeout object is set, the individual and common port timers are reset to 0. Setting the No connection timeout object parameter to 0 disables the described monitoring functionality, hence no resets due to lack of communication are performed.

The actual value used by the meter to monitor communication inactivity is calculated from the No connection timeout parameter (NCT) and is therefore different. The actual value used is random value between NCT and NCT+NCT/3. This is to prevent an excessive number of simultaneous GSM/GPRS de-registrations performed by different meters when common source of error occurs in the network.

The table below further explains how errors in various stages of modem operation lead to possible modem reset.

No.	Stage	Error result
1	<i>Initialization service</i>	
1.1	first AT command sent	no/invalid response
1.2	MUX startup	MUX not started
1.3	Additional AT commands sent	no/invalid response
2	<i>Diagnostic service</i>	
2.1	Signal quality status	insufficient quality, no/invalid response
2.2	SIM status	SIM not inserted, no/invalid response
2.3	GSM registration	registration failed, no/invalid response
2.4	GPRS registration	registration failed, no/invalid response
2.5	Operator selection status	no/invalid response
2.6	PDP context status	PDP deactivated, no/invalid response
3	<i>CSD/GPRS service</i>	
3.1	service establishment	error during service establishment
3.2	service in progress	unexpected service termination
3.3	service termination	error during service termination
4	<i>no connection timeout</i>	
4.1		no communication on port

Table 45: Modem reset triggers

Whenever a request to restart the modem is issued, the meter enters a special modem restart procedure. The following actions are executed:

- IMSI detach is requested,
- multiplexing mode on modem is closed,
- modem software reset is requested,
- in case of unsuccessful SW reset, modem HW reset is requested,
- reset procedure finishes and reinitializes modem communication.

The above written order of the restart procedure actions is the same as the order of their execution. The “IMSI DETACH REQUEST” and “IMSI DETACH RESPONSE” states are intended to detach the modem from the mobile network by sending the AT+CFUN=4 command. After that, a close-down of the multiplexer is attempted. When successful, a “SOFTWARE RESET REQUEST” follows. The request (AT+CFUN=1,1) is only executed after an internal restart timeout (set to 180 seconds) added with a random time between 0 and 60 seconds expires. The time is measured from the moment the main GSM/GPRS process enters the restart procedure. When finished, GSM/GPRS process enters the “RESTART FINISHED” state after which the communication port initialization is performed.

If any of the described states fails to execute properly / in time, the reset procedure enters “HARDWARE RESET REQUEST” state. The HW reset procedure executes actual reset (triggering dedicated HW reset signal) only after the internal restart timeout expires.

The entire modem reset procedure takes approximately 3 to 4 minutes to complete. Whether or not a modem reset procedure is currently in progress can be observed using the GSM status object. If the eleventh bit of the object’s value attribute (Modem reset pending) is set to high, the modem reset procedure is being executed.

### 5.5.4.7. TCP/IP based COSEM communication profile

This profile is implemented to be used in conjunction with a GPRS communication interface.

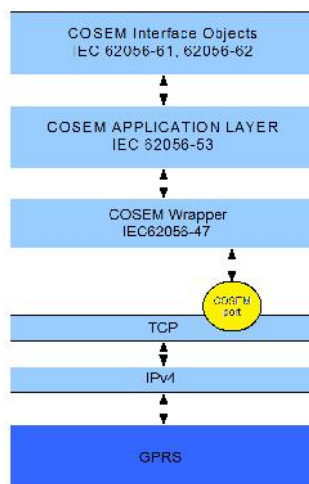


Figure 80: TCP/IP based COSEM communication profiles

#### COSEM wrapper

COSEM Wrapper protocol is a part of COSEM specification used for COSEM communication over IP networks. The COSEM wrapper layer adds 8 bytes long header to the original COSEM message. The wrapper header includes information about version, source wrapper port, destination wrapper port and length. COSEM Wrapper header is followed by COSEM application data (APDU).

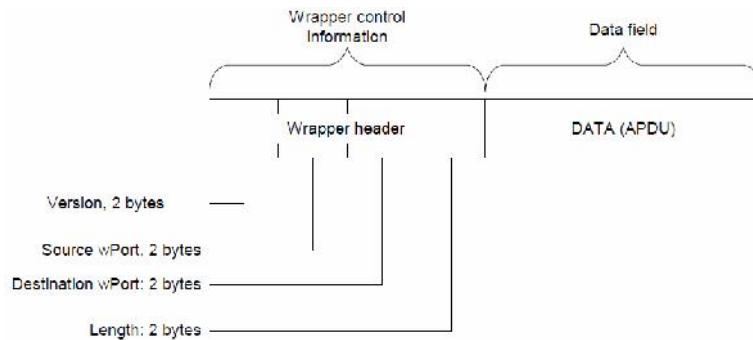


Figure 81: The COSEM wrapper protocol data unit (WPDU)

When receiving COSEM Wrapper messages, the meter checks version number and length fields of the incoming TCP packet. If the version is not 1 (fixed value) or if the length of data APDU is not equal to Length field, the packet is discarded and the active connection is closed. When the header is verified, the data APDU with additional parameters is passed to the DLMS server.

When DLMS server in the meter responds to the request, the frame is passed through the COSEM Wrapper layer, which adds the COSEM wrapper header and send the message active socket connection to the client.

When no data is exchanged for the time out period, configured in the dedicated object (0.0.25.0.0) , the meter closes the incoming connection. Meter still keeps listening for new connections on configured port.

COSEM wrapper operation is determined by dedicated configuration object.

#### 5.5.4.8. GSM/GPRS connection management

GSM/GPRS connection management functionality is achieved through the implementation of two COSEM classes:

- Auto Connect,
- Auto Answer.

##### **Auto connect**

The meter implements Auto connect (0-0:2.1.0.255) object in order to be able to control the operation of auto connect functionality. Auto connect functionality is intended to control network connectivity and supports the following modes for GPRS operation:

- Always ON: Meter is always connected to the IP (GPRS) network.
- Always ON in time window: Meter is connected to the IP (GPRS) network during defined time window only.
- Always ON in time window with exception: Meter is connected to the IP (GPRS) network during defined time window. Out of time window meter connects to network when connect method is invoked.
- Wake up: Meter is usually disconnected and connects to the network when connect method is invoked.

In “Always ON” modes meter maintains permanent connection to GPRS network during the defined time period (if window is used). In case of connection failure, meter resets the modem and retries connection establishment.

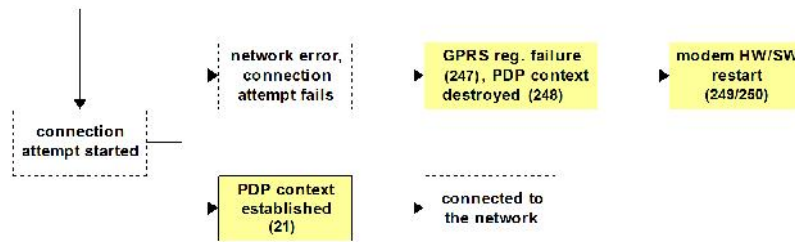


Figure 82: Auto connect operation in “Always ON“ modes during defined time window

When a connect method is invoked, the auto connect attempts to connect to the network if not already connected. When successful, the meter remains connected to the network until specific auto connect parameters change or network error occurs. If a connection attempt is unsuccessful, the auto connect re-attempts to connect to the network. The number of re-attempts is limited by the repetitions attribute. A connect method can only be invoked if the mode attribute is set to 103 (while outside of the defined calling window) or to 104.

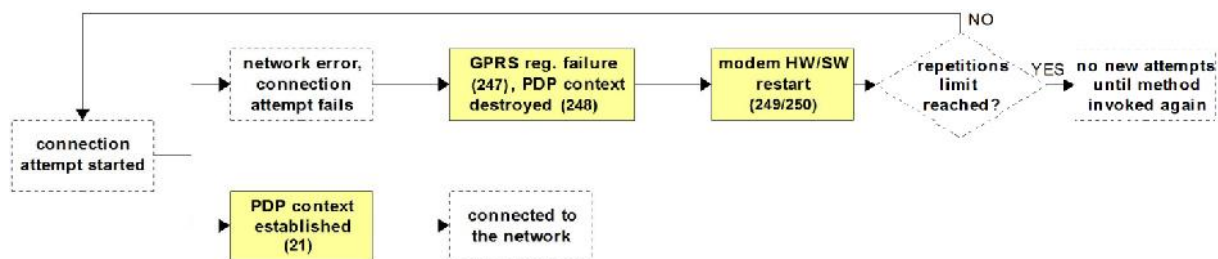


Figure 83: Auto connect operation in modes 103 and 104 when a connection method is invoked



For effective use of functionalities, meter must be properly configured.

**Auto answer**

The meter provides an Auto answer object intended to manage the following functionality of the exchangeable GSM/GPRS module:

- answering to incoming calls,
- handling GPRS wake-up requests.

**Answering to incoming calls**

The client system may initiate communication to the meter via circuit-switched-data (CSD) connection using GSM network. In order to support this Auto Answer object in the meter must be configured appropriately. Functionality of answering incoming calls is based on caller recognition, which is achieved by using GSM network CLIP service.

In order to be able to accept incoming call, the meter must have auto answer object configured in one of the following way:

- List of allowed callers is empty so meter answers incoming calls regardless of calling number.
- Calling number reported with CLIP matches one of the calling numbers in list of allowed callers, which is associated with caller type for normal CSD call.



For effective use of functionalities, meter must be properly configured.

In addition to calling number checking, meter also answers incoming calls according to other parameters (listening window, number of rings, etc.). For details see IDIS – Package 2 IP Profile.

Auto answer functionality answers only incoming data type of call. If incoming call is voice type of call is only possible to make wake-up.

Because the implemented GSM/GPRS communication module is a class B modem (communication over GPRS and CSD at the same time is not possible), any incoming CSD call is rejected if there is any TCP session (over GPRS) active.

When CSD connection is established specific application checks activity on meter modem channel. If there is no activity time more than Inactivity time out, 8th attribute of appropriate channel IEC HDLC setup object (0-y:22.0.0\*255), then meter makes hang-up and destroys connection.

### Managing wake-up requests via CSD or SMS

In addition to “Always ON” modes, where GPRS connection is permanently activated during defined time period, the meter also supports GPRS connection establishment on request, so called wake-up. Wake-up is based on receiving CSD call notification (+CRING: <type of call>, +CLIP) or SMS. Upon receiving the wake-up call or SMS from the HES, the meter verifies the calling number according to configuration of the “auto answer” object. If the caller type of the calling number is set to (1) “wake-up request” in the list\_of\_allowed\_callers the meter rejects incoming CSD call and immediately triggers GPRS connection request to the modem or in SMS case is depend of if incoming SMS is empty or not. The GPRS connection request is only triggered if appropriate mode (103 or 104) is configured in Auto Connect object. If mode 103 is configured in Auto Connect, also calling\_window is checked.

When Auto Answer mode is set to 0, meter does not check any other parameters of Auto Answer object, except list\_of\_allowed callers when managing wake-up request. When Auto Answer mode is set to 1 or 2, meter also takes listening\_window, and number\_of\_calls into account when managing wake-up request.



For effective use of functionalities, meter must be properly configured.

When Wake-up GPRS connection is established specific application checks activity on this attachment. If there is no activity time more than Inactivity time out, 6th attribute of TCP-UDP setup object (0-0:25.0.0\*255), then meter destroys connection.

### Meter registration

By meter registration meter sends its IP address and its system title over GPRS or SMS communication to the HES using Data-Notification service. Mx382 meter triggers push method (Push setup – On Installation (0-0:25.7.8\*255)) by the GSM status object (0-0:128.20.1\*255). The execution of the push method results in transmission of the Data-Notification message to the set IP address or phone number.

Push method is triggered by the GSM status object is depended of relation state of bits B1 and B11. All relation states of bits and its meaning or action are shown in table below.

B1	B11	meaning
0	0	Trigger Push method (Installation On)
0	1	Invalid state
1	0	Installation call done or not active
1	1	Installation call failed

Table 46: GSM status object bits B1 and B11 relation states and meaning

## 5.5.5 Push setup

### 5.5.5.1. Description

Push method activates the push process leading to the elaboration and the sending of the push data taking into account the values of the attributes defined in class 40.

For different push triggers seven mandatory configuration objects:

- Push setup – On Wake-up (0-0:25.9.0.255),
- Push setup – Interval\_1 (0-1:25.9.0.255),
- Push setup – Interval\_2 (0-2:25.9.0.255),
- Push setup – Interval\_3 (0-3:25.9.0.255),
- Push setup – On Alarm (0-4:25.9.0.255),
- Push setup – On Power down (0-5:25.9.0.255),
- Push setup – On Installation (0-7:25.9.0.255),

and one optional configuration object:

- Push setup – Consumer Information (0-6:25.9.0.255)

are used.

Push setup currently support:

- Object list:
  - All COSEM objects in meter with read access.
- Service type:
  - 0 – TCP,
  - 4 – SMS.
- Destination type:
  - IP address including the port number (ex: 10.253.49.30:10000) for service type TCP,
  - Phone number (ex: 0038641123456, +38641123456, 041123456) for service type SMS.
- Message type:
  - 0 – COSEM APDU.
- Triggers:
  - Internal:
    - From Push script table:
      - If a monitor threshold is exceeded (alarm)
      - Schedulers:
        - Push action scheduler – Interval 1,
        - Push action scheduler – Interval 2,
        - Push action scheduler – Interval 3,
        - Push action scheduler – Consumer Information,
    - By an event (installation, power-down, established PDP context)
  - From HES:
    - Wake-up call (established PDP context),
    - Executing method Push,
    - Executing script from Push script table,

- Executing meter registration procedure.

Triggering Push method start a Push process on a selected Push object and can cause a message to be sent to a dedicated destination. Push process is implemented inside Data\_notification process, which takes care of processing push objects, checking for established communication and preparing the data to build proper COSEM\_APDU.

Only one Push setup object is processed at once. Triggering multiple Push method at the same time is resolved with looping one by one Push object classified according to the COSEM logical name until at least one object is active.



For effective use of functionalities, meter must be properly configured.

Push process is running according to IDIS P2 specification.

#### 5.5.5.2. Push setup on wake-up

After meter established PDP context object Push setup On Wake-Up is used to send to the HES its IP address and system title using Data\_notification service.

#### 5.5.5.3. Push setup interval 1

Object Push setup Interval 1 is used to retrieve missing data from the last reading period(s), billing data, quality of Supply data or Meter Supervision data using Data\_notification service. For billing data Data\_notification message may contain total registers, rated registers, profiles and event logs. The Quality of Supply data may be transferred using a dedicated Push setup object or it may be transferred together with other data. Meter Supervision data is added next to the Billing data.

#### 5.5.5.4. Push setup interval 2

Object Push setup Interval 2 is used to retrieve data from the last reading period(s), billing data, quality of Supply data or Meter Supervision data using Data\_notification service. For billing data Data\_notification message may contain total registers, rated registers, profiles and event logs. The Quality of Supply data may be transferred using a dedicated Push setup object or it may be transferred together with other data. Meter Supervision data is added next to the Billing data.

#### 5.5.5.5. Push setup interval 3

Object Push setup Interval 3 is used to retrieve data from the last reading period(s), billing data, quality of Supply data or Meter Supervision data using Data\_notification service. For billing data Data\_notification message may contain total registers, rated registers, profiles and event logs. The Quality of Supply data may be transferred using a dedicated Push setup object or it may be transferred together with other data. Meter Supervision data is added next to the Billing data.



### 5.5.5.6. Push setup on alarm

Object Push setup On Alarm is used to send alarms and/or Quality of Supply data to the HES using Data\_notification service. The Quality of Supply data may be transferred using a dedicated Push setup object or it may be transferred together with other data.

### 5.5.5.7. Push setup on power down

Object Push setup On power down is used to inform HES that meter is going to power-down and/or sending Quality of Supply data. Using Data\_notification service meter send its IP address and its system title to the HES. The Quality of Supply data may be transferred using a dedicated Push setup object or it may be transferred together with other data.

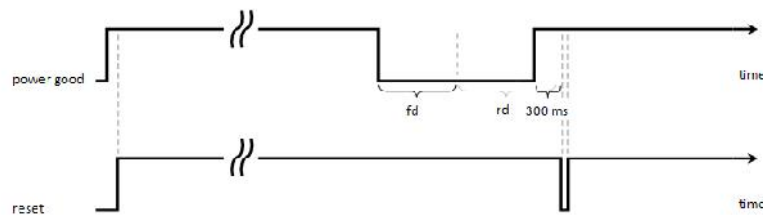


Figure 84: Power down scenario 1

Power good elapsed time is more than 20 minutes. At power-down Push setup On Power Down is triggered. Currently active Push setup object is suspended but remain active to be processed after power good. Power-up occurs before fixed delay (fd) and randomization time delay (rd) expires and therefore data\_notification is not send.

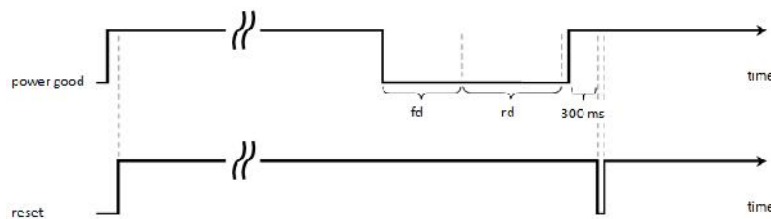


Figure 85: Power down scenario 2



For effective use of functionalities, meter must be properly configured.

Power good elapsed time is more than 20 minutes. At power-down Push setup On Power Down is triggered. Currently active Push setup object is suspended but remain active to be processed after power good. If sum of fixed delay (fd) and randomization delay (rd) is less than 40 seconds then data\_notification can be send successfully. If power up occurred immediatly after fixed (fd) and randomization time delay (rd) expires, data\_notification could not be sent, because at power-up Push setup On Power Down is suspended.



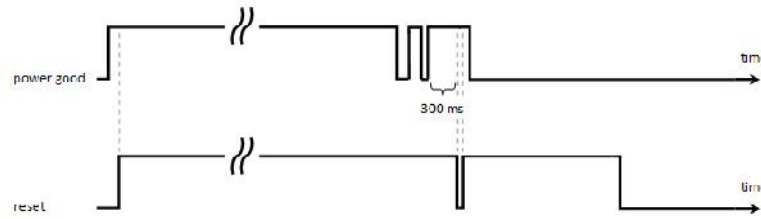


Figure 86: Power down scenario 3

Power good elapsed time is more than 20 minutes. At power down Push setup On Power Down is triggered. Currently active Push setup object is suspended but remain active to be processed after power good. Short power-down and power-ups reset power good time and after last power down, data\_notification is not send because power good elapsed time is less than 20 minutes.

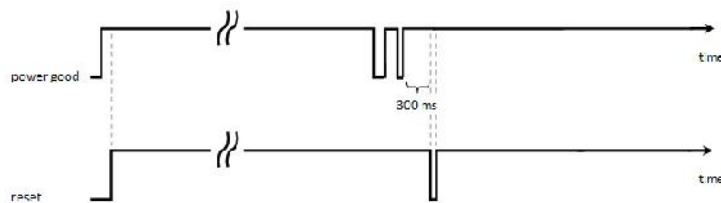


Figure 87: Power down scenario 4

Power good elapsed time is more than 20 minutes. At power-down Push setup On Power Down is triggered. Currently active Push setup object is suspended but remain active to be processed after power-up. If first short power-down time is less than time that is needed to send data\_notification then after power good power good time is reset and after that data\_notification is not sent because power good elapsed time is less than 20 minutes.

#### 5.5.5.8. Push setup consumer information

Object Push setup Consumer Information is optional and is used to periodically transmit information to a local port serving as Consumer Information Interface (CII). Depending on the market request, this local port may be connected to a suitable home gateway.

#### 5.5.5.9. Push setup on installation

Object Push setup On Installation is used to inform HES that meter is installed to the system. Using Data\_notification service meter send its IP address and its system title to the HES.

#### 5.5.5.10. Push action scheduler – interval 1

Push action scheduler Interval 1 is used to periodically invoke Push script table with selector 2 to trigger push method on object Push setup Interval 1.

#### 5.5.5.11. Push action scheduler – interval 2

Push action scheduler Interval 2 is used to periodically invoke of Push script table with selector 3 to trigger push method on object Push setup Interval 2.

#### 5.5.5.12. Push action scheduler – interval 3

Push action scheduler Interval 3 is used to periodically invoke of Push script table with selector 4 to trigger push method on object Push setup Interval 3.

#### 5.5.5.13. Push action scheduler – consumer information

Push action scheduler Consumer Information is optional and is used to periodically invoke of Push script table with selector 7 to trigger push method on object Push setup Consumer Information.

#### 5.5.5.14. Push script table

Push script table contain scripts which are used to trigger push method on Push setup objects. To each Push setup object belongs one script.

### 5.6. Fraud detection

#### 5.6.1 Meter cover open and terminal cover open

These detectors (switches) trigger an event that lets the user know if and when terminal block cover or meter cover were opened.



Figure 88: Terminal cover opening switch

#### 5.6.2 Magnetic field detection

This detector (reed relay) triggers a magnetic field detected event (fraud detection log event 42) and no more magnetic field detection event (fraud detection log event 43) that is recorded in fraud detection log-book if and when there was an external magnetic field (30-35mT) near the meter. This is used for security reasons as some public might try to influence the meters accuracy.

See list of fraud events in Table 50.

## 5.7. Meter programming

Programming of the meter as well as application part of FW upgrade can be done locally or remotely in compliance with the predefined security levels. The objects in the meter are secured with four authentication levels or most severe with param key. FW rewrite is applied in compliance with standards (Welmec).



For effective use of functionalities, meter must be properly configured.

## 5.8. Configuration program change

This two objects record number of configuration (parameter) changes (0-0:96.2.0) in the meter along with the timestamp of the last change (0-0:96.2.1):

- Number of configuration program changes,
- Date of last configuration program change.

# 6. Description of main meter functionalities

## 6.1. Measurements

Beside energy and power measurement and registration and instantaneous values measurement and registration (power, voltage, current, power factor, frequency) the following meter functions are available:

- Power Quality Measurements according EN 50160,
- Power Quality Measurements data available as instantaneous or average data,
- Voltage sags and swells,
- Undervoltages, overvoltages,
- Detection of minimum, maximum - daily voltage,
- Detection of instantaneous power factor; per phase, three-phase registers,
- Detection of last average power factor,
- Registration of three phase and phase power-downs and duration (long and short).

See also Chapter 3.6.

## 6.2. Sequences

These objects are used to configure data for quick readout, either from display or PC. Each register can accept maximum of 32 visible entries. They are usually used for most needed meter information such as energy and demand values or date and time. Only objects attribute 2 (Capture objects) is needed for correct setup entry.

The meters have three different sequences:

- P1 port readout sequence (d=0),

- General display readout sequence (d=1),
- Alternate display readout sequence (d=2).



For effective use of functionalities, meter must be properly configured.

## 6.2.1 P1 port readout list

With P1 port readout list object (0.0:21.0.0.255) data readout information can be set.



For effective use of functionalities, meter must be properly configured.

## 6.2.2 General display readout

With General display readout object (0.0:21.0.1.255) the information visible on meter's display in auto scroll mode can be set. This information automatically scrolls on display every few seconds (default period is 10 seconds) without any need to press any key.

Presentation of strings on display is performed with horizontal scroll, if the size of string is larger than the size of alphanumeric field for value on display (8 characters). Horizontal scroll shift period is one second. When the horizontal scroll is performed in Auto scroll mode, the auto scroll period (10s) is extended until end of the string is reached.

The objects, that are not intended to show on the display, will not be displayed, if they are included in General display readout list (0-0:21.0.1) or in Alternate display readout list (0-0:21.0.2). The message code Error 11 (Ident format failed) will be displayed instead.



For effective use of functionalities, meter must be properly configured.

## 6.2.3 Alternate display readout

With Alternate display readout object (0.0:21.0.2.255) the information visible on meter's display in manual-scroll mode can be set. Each press on **Scroll** key in manual-scroll mode scrolls to the next item from the Alternate display readout list. In transition from auto-scroll mode to manual-scroll mode the LCD test is performed (all segments on). After some time of inactivity in manual-scroll mode (default escape time is 2 minutes) the meter returns into auto-scroll mode.



For effective use of functionalities, meter must be properly configured.

## 6.3. Load profile recorder

Two general purpose load profiles are available in Houdini meter. Each of two can capture any of the basic type object value present in the meter. Basic object type means any object attribute that has non-structured content.

The meter has two load profiles (LP with period 1 and LP with period 2) which are instances of the COSEM class the "Profile generic", which defines a generalized concept to store dynamic process values of capture objects. A profile has a buffer to store captured data, therefore each profile has a limit of stored data. More capture objects we select less total captured data will be possible to store. After a call of "reset" method, the buffer does not contain any entries, and this value is zero. Two read only attributes show status of this:

- Profile Entries attribute specifies how many entries could be retained in the buffer,
- Entries in Use attribute counts the number of entries stored in the buffer.

In each profile up to 32 objects can be registered. Number of objects directly defines the length of one record. Minimum and maximum profile capacity depends on the capture period selected and number of capture objects set and meter type used (ME382 or MT382).



For effective use of functionalities, meter must be properly configured.

Data in a load-profile recorder are accompanied with a timestamp and with the meter status in the last saving period as well as with a check sum. The timestamp indicates the end of a registration period.

Both profiles are compressed type – only one (first) timestamp is shown.

Profiles are implemented as FIFO buffers. Each record has associated a unique record number. Within one load profile more records can have same timestamp (in case time is shifted back) but all have different record numbers. When reading load profiles records are being put out according to their record number in increasing order.

Operation is IDIS P2 specification compliant.

### 6.3.1 Profile

#### 6.3.1.1. Load profile with period 1 and 2

##### **Capture Objects**

Up to 32 objects can be captured (recorded) with capture period.

##### **Capture Period**

Capture period is variable which defines the time distance between two captured data's (seconds). The capture period of the profile can be specified by "capture period" attribute. It can be set to 5, 10, 15, 30, 60 minutes or one day. The period is synchronized with the hour; it always begins at completed hour. Value 0 of "capture period" means no registration. The profile buffer can be cleared by invocation

of the “Profile generic” method “reset”. These recording periods (in seconds) are recommended to choose from:

- 0 – No registration,
- 300 – 5 minute recording period,
- 600 – 10 minute recording period,
- 900 – 15 minute recording period,
- 1800– 30 minute recording period,
- 3600 – 1 hour recording period,
- 86400 – 1 day recording period.

**Methods**

Load profile has two methods implemented:

- Reset (erases captured values),
- Capture (performs capturing when executed) - not supported for load profile.

Load profile with period 2 has same functionality as profile with period 1, only difference is in less reserved space for records in the meter.

### 6.3.2 Profile status

There are two status registers:

- Profile status for load profile with period 1,
- Profile status for load profile with period 2.

The AMR Profile status code has a size of 1 byte and is shown in decimal form. The following table describes the state and the function of all bits.

If one of the events defined below has occurred during capture period, corresponding event code is added to the profile status register. By adding event codes to the profile status register all events occurred during capture period are stored to the profile buffer at the end of capture period. After storing a value of profile status register together with meter stands in the profile buffer meter resets profile status register to zero value. These status notifications shown in load profile readout are:

Status	Bit	Hex	Dec	Description	
None		0x00	0	No event	
Device disturbance	ERR	0	0x01	1	A serious error such as a hardware failure or a checksum error has occurred.
Clock battery discharged	CIV	1	0x02	2	The power reserve of the clock has been exhausted. The time is declared as invalid.
Measurement value disturbed	DNV	2	0x04	4	Indicates that the current entry may not be used for billing e.g. due to time shift or if no values have been recorded during the capture period.
Season changed	DST	3	0x08	8	Indicates that daylight savings is enabled
Reset cumulation		4	0x10	16	Reserved: The reserved bit is always set to 0
Device clock changed	CAD	5	0x20	32	The bit is set when clock has been adjusted more than the synchronization limit.
Power up	PUP	6	0x40	64	Reserved: The reserved bit is always set to 0

Power down	PDN	7	0x80	128	This bit is set to indicate that an all-phase power failure occurred
------------	-----	---	------	-----	--

Table 47: List of profile statuses

## 6.4. Billing profile recorder

Billing functionality in the meter is used to provide process and storage for managing billing data. Data stored in the process of billing and time points when billing process is executed can be defined as parameters according to implemented object model.

All billing data are stored in form of buffer within object of class profile generic. Two billing profile objects are implemented in the meter. Each billing profile can have its own set of capture objects defined. Those two profiles do not use their capture period so this attribute should be set to 0. Capturing object values into buffer of the two billing profiles is triggered by execution of dedicated script from “End of billing script table”. This script table contains two predefined scripts, one for execution of “Billing profile 1” capture method and one for execution of “Billing profile 2” capture method.

The following actions are carried out by the meter when script 1 of “End of billing script table” is executed:

- Execute capture method for “Billing profile 1”,
- Reset maximum demand registers,
- Reset minimum power factor (value is set to 1),
- Increment “Total billing reset counter”,
- Create event in log-book to log execution of billing reset.

The following actions are carried out by the meter when script 2 of “End of billing script table” is executed:

- Execute capture method for “Billing profile 2”.

Each of two scripts from “End of billing script table” can be executed in two ways:

- By invoking execute method of “End of billing script table” via communication channel,
- Internally by “Single Action Schedule” object which refers to specific script.

Two single action schedule objects are dedicated to billing process. Each of those two can refer to any of the two scripts of “End of billing period” script table. Each single action schedule can have up to four time definitions that trigger execution of its associated script. Time definitions can be set as periodic (e.g. every day, every month ...) or exact specified date-time.

The billing reset is executed immediately when triggered (via single action schedule or via communication channel), there is no waiting for completion of measurement period. When synchronization with measurement period is required, user should assure this by setting appropriate times in single action schedules.

If clock is set forward or backward over n periodic billing execution times, then only one entry will be generated in billing profile, marked with first time of periodic definition appearing after old time. The event in log-book will be generated with the new set time.

If clock is set forward over n exactly specified billing execution date-times, then only one will be generated in billing profile, marked with the nearest time appearing after old time.

If billing reset (end of billing period) is set to occur while the meter is powered-down (power-down before billing reset), the billing reset will occur immediately when meter is powered-up again. The event in log-book will be generated with the timestamp when meter is powered-up.

The data of the past billing periods stored in profile buffer cannot be displayed on LCD, they can be read out via communication channels, i.e. via optical port or dedicated modem.

### 6.4.1 End of billing period

Script is executed once a month typically at midnight at the end/start of every month, however other times can be set. Execution can be disabled if the execution time is left empty or set with "FFFFFFF", "FFFFFFFFF". Activation time should be rounded up to a minute (seconds set to 00 as defined in COSEM Blue Book 10th Edition).

There are two Single action schedule objects, 0-0:15.0.0 (end of billing period 1 – d=0) and 0-0:15.1.0 (end of billing period 2- d=2), which trigger billing actions and represent start point for Billing Read E-meter events.

### 6.4.2 End of billing period script table

Each of billing sources invokes script from “end of billing” script table. That script starts the billing process. The main function of billing script table is to provide interface for execution of actions related to each specific billing type when script is executed.

### 6.4.3 Billing period counter

Billing period counter counts all billings that were performed in the past.

### 6.4.4 Data of billing period – Billing profile

Billing profile is the storage for billing data, captured by execution of billing actions. Billing profile buffer is organized as an array of entries. Each entry is a snapshot of capture object values at the moment of capture time. By default the first data in billing profile entries is time mark (0-0:1.0.0). Capture time is triggered from single action scheduler.

Each billing profile has the capacity of:

- 35 entries with default number of capture objects (5) (clock + 4 objects of size 4 bytes),
- 88 with minimum number of captured objects (2) (clock + 1 object of size 4 bytes),
- 5 entries with maximum number of capture objects (32) (clock + 31 objects of size 4 bytes).

There are two objects of billing profiles:

- Data of billing period 1 (d=1),
- Data of billing period 2 (d=2).



### 6.5. Event logs

Basic principle is shown in a diagram below:

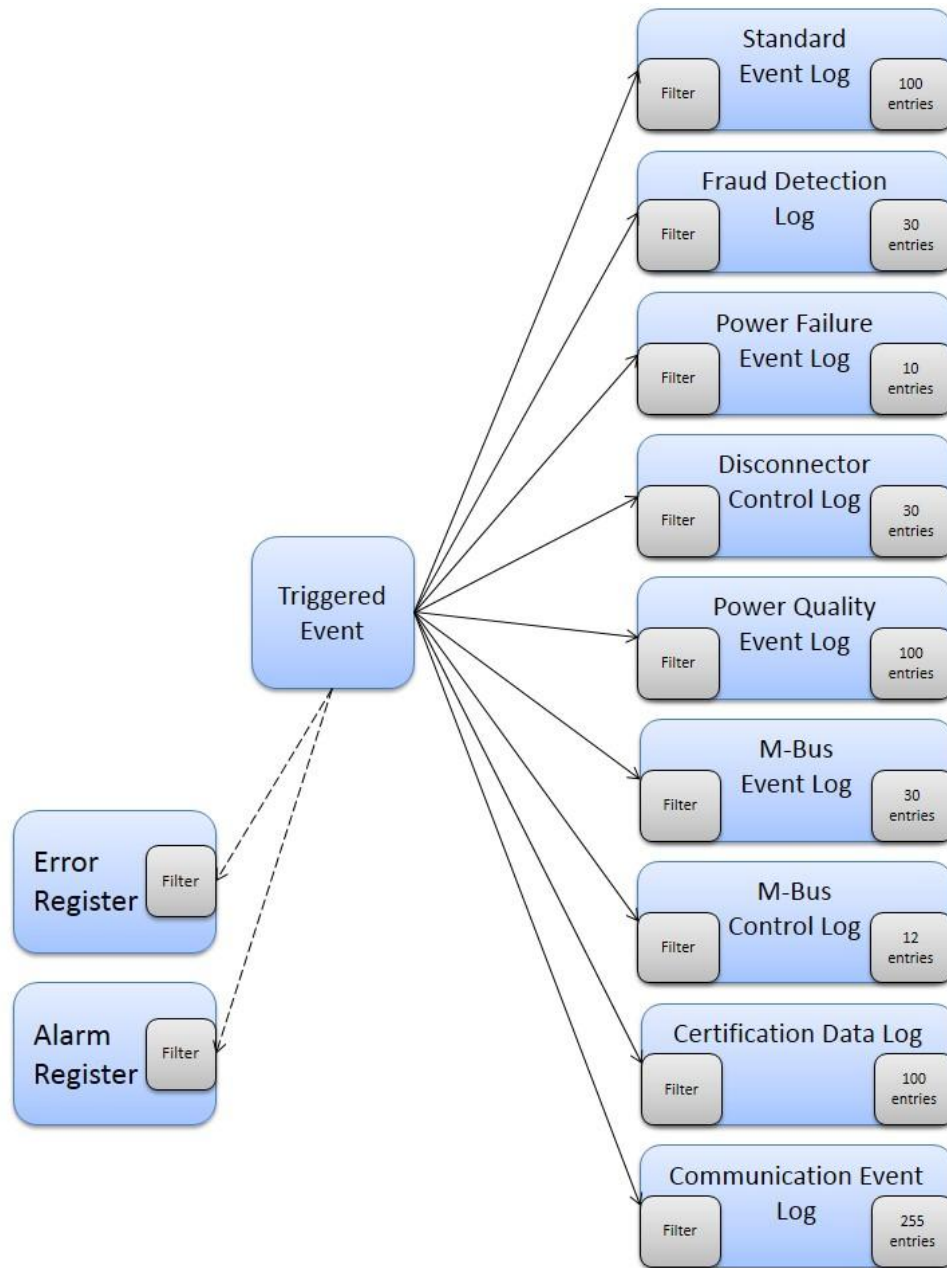


Figure 89: Event handling

Events are generated by the meter itself or by its environment. All these events are logged in several event logs. Every event has a unique code to identify the action which has triggered it. Every event is assigned to one event log (event filter) and it is only stored there. The E-meter features ten different event logs as described below. All logs except the power failure log have the same basic structure (timestamp and event code). The structure per event log is fixed, i.e. it is not possible to store different parameters per event.

Mx382 meters support different event codes. The Event system object (1-0:96.245.0.255) enables the meter to provide three different types of event code presentation. Depending on projects these can be set to:

- VDEW / IE - (0),
- IDIS - (1),
- EDF - (2).

Change takes effect after power-down/up or reset.



For effective use of functionalities, meter must be properly configured.

### 6.5.1 Event code objects

Events are generated by the meter itself or by its environment. Each type of an event is presented with a unique code (event code) to identify the action which has triggered it. Event codes are stored in corresponding Event code objects. Each event object holds only the most recent event. The event code object has the value of 0 until the first event is detected/generated by the meter or every time a power-up is performed.

### 6.5.2 Event log objects

Instances of event code objects are captured in corresponding event logs. Event log objects are instances of COSEM class “profile generic” and are used to store events. They are organized as FIFO buffers where records are sorted by time. Once the buffer is full, the oldest entry in the buffer is the first to be replaced. The capacity (maximum number of records in a buffer) of the event log objects varies from object to object. Records in the buffer are captured asynchronously, as the events occur.

The majority of the supported event log objects (with the exception of Power failure event log) follow the same basic structure containing the timestamp (time of the occurrence of the event) and the event code object.

The meter features the following event log objects:

Event log object	logical name	capacity	captured objects
Standard event log	0-0:99.98.0.255	100	0-0:1.0.0.255 0-0:96.11.0.255
Fraud detection log	0-0:99.98.1.255	30	0-0:1.0.0.255 0-0:96.11.1.255
Disconnect control log	0-0:99.98.2.255	30	0-0:1.0.0.255 0-0:96.11.2.255
M-Bus event log	0-0:99.98.3.255	30	0-0:1.0.0.255 0-0:96.11.3.255
Power quality event log	0-0:99.98.4.255	100	0-0:1.0.0.255 0-0:96.11.4.255

M-Bus control log <sup>2</sup>	0-x:24.5.0.255	12	0-0:1.0.0.255 0-x:96.11.4.255
Power failure event log	1-0:99.97.0.255	10	0-0:1.0.0.255 0-0:96.7.19.255
Certification data log	1-0:99.99.0.255	100	0-0:1.0.0.255 0-0:96.128.0.255 0-0:96.128.1.255 0-0:96.128.2.255
Communication event log	0-0:99.98.6.255	255	0-0:1.0.0.255 0-0:96.11.6.255

Table 48: Event log objects

### 6.5.3 Standard event log

Standard event log contains all events not recorded in a special event log, e.g. changes of the clock, changes of the configuration, clearing of profiles, all kind of self check errors, activation of new parameters, activation of new time of use, etc. Standard event log structure consists of timestamp and event code.

#### 6.5.3.1. Standard event log codes

Standard event log code object holds the code from the last event triggered. These codes along with timestamps are then used in event log.

Standard IDIS event codes are listed in Table below.

IDIS event code	Event name	Event description
1	Power Down	Indicates a complete power down of the device. Please note that this is related to the device and not necessarily to the network.
2	Power Up	Indicates that the device is powered again after a complete power down.
3	DST enabled or disabled	Indicates the regular change from and to daylight saving time. The timestamp shows the time after the change. This event is not set in case of manual clock changes and in case of power failures.
4	Clock adjusted (old date/time)	Indicates that the clock has been adjusted. The date/time that is stored in the event log is the old date/time before adjusting the clock.
5	Clock adjusted (new date/time)	Indicates that the clock has been adjusted. The date/time that is stored in the event log is the new date/time after adjusting the clock.
6	Clock invalid	Indicates that clock may be invalid, i.e. if the power reserve of the clock has exhausted. It is set at power up.
7	Replace Battery	Indicates that the battery must be exchanged due to the expected end of life time.
8	Battery voltage low	Indicates that the current battery voltage is low.
9	TOU activated	Indicates that the passive TOU has been activated.
10	Error register cleared	Indicates that the error register was cleared.
11	Alarm register cleared	Indicates that the alarm register was cleared.
12	Program memory error	Indicates a physical or a logical error in the program memory.
13	RAM error	Indicates a physical or a logical error in the RAM

<sup>2</sup> x represent M-Bus channel from 1 to 4

14	NV memory error	Indicates a physical or a logical error in the non volatile memory
15	Watchdog error	Indicates a watch dog reset or a hardware reset of the microcontroller.
16	Measurement system error	Indicates a logical or physical error in the measurement system
17	Firmware ready for activation	Indicates that the new firmware has been successfully downloaded and verified, i.e. it is ready for activation
18	Firmware activated	Indicates that a new firmware has been activated
19	Passive TOU programmed	The passive structures of TOU or a new activation date/time were programmed
20	External alert detected	Indicates signal detected on the meter's input terminal <b>(2)</b>
21	PDP context established	Indicates that the meter has established a new PDP (packet data protocol) context <b>(2)</b>
47	One or more parameters changed	
48	Global key(s) changed	One or more global keys changed
51	FW verification failed	Indicates the transferred firmware verification failed i.e. cannot be activated.
52	Unexpected consumption	Indicates consumption is detected at least on one phase when the disconnecter has been disconnected <b>(2)</b>
53	Local communication attempt	Indicates communication on any local port is in progress. With this the system operator may detect unauthorized access to meter e.g. service port used without a valid work order <b>(2)</b>
88	Phase sequence reversal	Indicates wrong mains connection. Usually indicates fraud or wrong installation. For poly phase connection only!
89	Missing neutral	Indicates that the neutral connection from the supplier to the meter is interrupted (but the neutral connection to the load prevails). The phase voltages measured by the meter may differ from their nominal values
230	Fatal error	Indicates any fatal error length
231	Billing reset	Indicates billing reset
232	Power down phase L1	Indicates power loss / power disconnected on phase L1
233	Power down phase L2	Indicates power loss / power disconnected on phase L2
234	Power down phase L3	Indicates power loss / power disconnected on phase L3
235	Power restored phase L1	Indicates power restored / power connected to phase L1
236	Power restored phase L2	Indicates power restored / power connected to phase L2
237	Power restored phase L3	Indicates power restored / power connected to phase L3
238	No connection timeout	Indicates No connection timeout when there is no communication for 30h
239	Prepay Token Enter Success	Indicates Successful Prepay Token Enter
240	Prepay Token Enter Fail	Indicates Failed Prepay Token Enter
241	Prepay Credit Expired	Indicates Prepay Credit Expiration
242	Prepay Emergency Credit Expired	Indicates Emergency Credit Expiration
243	Prepay Emergency Credit Activated	Indicates Emergency Credit Activation
254	Load profile cleared	Any of the profiles cleared. NOTE: If it appears in Standard Event Log then any of the E-load profiles was cleared. If the event appears in the M-Bus Event log then one of the M-Bus load profiles was cleared
255	Event log cleared	Indicates that the event log was cleared. This is always the first entry in an event log. It is only stored

		in the affected event log.
--	--	----------------------------

**(2) Events included in IDIS Package 2**

Table 49: List of events in the Standard event log

### 6.5.4 Fraud detection event log

Fraud detection event log contains all events related to the detection of fraud attempts, e.g. removal of terminal cover, removal of meter cover, strong DC field detection, access with wrong password, etc. There is a 15 minute (900s) hold-off period (time interval) between two events (only events detected after 15 of latest one are recorded).

For events that are saved in fraud detection log we have assigned a time interval. This interval is started at fraud event and disables another logging of same fraud event for its duration. That prevents completely filling fraud detection log with quickly repeated fraud events.

Example: When strong DC field is detected, event is saved in fraud log and time interval is started. DC field is then removed, event is saved in fraud log and another time interval is started. For next 15 minutes no such event is recorded if we apply and remove DC field. We can apply strong DC field that will not be marked with event, wait until the time interval for DC removed runs out and then remove DC field. Event will be logged in fraud log and time interval will be started again.

```

9:00 strong DC field detected - event 42 saved in fraud log
900s time interval for DC ON started
9:01 strong DC field removed - event 43 saved in fraud log
900s time interval for DC OFF started
...
9:14 strong DC field detected - logging of event 42 is blocked!
      Time interval for DC ON ends, time interval for DC OFF ends
9:17 strong DC field removed - event 43 saved in fraud log
      900s time interval for DC OFF started
...
    
```

Fraud detection event log structure consists of timestamp and event code.

#### 6.5.4.1. Fraud detection event log codes

Fraud Detection event log code object holds the code from the last event triggered. These codes along with timestamps are then used in event log.

List of events in the Fraud detection event log is shown in the Table below.

IDIS event code	Event name	Event description
40	Terminal cover removed	Indicates that the terminal cover has been removed
41	Terminal cover closed	Indicates that the terminal cover has been closed

42	Strong DC field detected	Indicates that a strong magnetic DC field has been detected.
43	No strong DC field anymore	Indicates that the strong magnetic DC field has disappeared.
44	Meter cover removed	Indicates that the meter cover has been removed.
45	Meter cover closed	Indicates that the meter cover has been closed.
46	Association authentication failure (n time failed authentication)	Indicates that a user tried to gain LLS access with wrong password (intrusion detect) or HLS access challenge processing failed n-times
49	Decryption or authentication failure (n time failure)	Decryption with currently valid key (global or dedicated) failed to generate a valid APDU or authentication tag
50	Replay attack	Receive frame counter value less or equal to the last successfully received frame counter in the received APDU. Event signalizes as well the situation when the DC has lost the frame counter synchronization.
91	Current reversal	Indicates unexpected energy export (for devices which are configured for energy import measurement only) <b>(2)</b>
255	Event log cleared	Indicates that the event log was cleared. This is always the first entry in an event log. It is only stored in the affected event log.

**(2) Events included in IDIS Package 2**

Table 50: List of events in the Fraud detection event log

### 6.5.5 Power quality event log

Power quality event log contains all events related to power quality, see Power Quality section. Power quality event log structure consists of timestamp and event code.

#### 6.5.5.1. Power quality event log codes

Power Quality event log code object holds the code from the last event triggered. These codes along with timestamps are then used in event log.

List of events in the Power quality event log is shown in the Table below:

IDIS event code	Event name	Event description
76	Undervoltage L1	Indicates undervoltage on at least L1 phase was detected.
77	Undervoltage L2	Indicates undervoltage on at least L2 phase was detected.
78	Undervoltage L3	Indicates undervoltage on at least L3 phase was detected.
79	Overvoltage L1	Indicates overvoltage on at least L1 phase was detected.
80	Overvoltage L2	Indicates overvoltage on at least L2 phase was detected.
81	Overvoltage L3	Indicates overvoltage on at least L3 phase was detected.
82	Missing voltage L1	Indicates that the voltage on at least L1 phase has fallen below the $U_{min}$ threshold for longer than the time delay.
83	Missing voltage L2	Indicates that the voltage on at least L1 phase has fallen below the $U_{min}$ threshold for longer than the time delay.
84	Missing voltage L3	Indicates that the voltage on at least L1 phase has fallen below the $U_{min}$ threshold for longer than the time delay.
85	Voltage L1 normal	Indicates that the mains voltage is in normal limits again, e.g. after overvoltage.
86	Voltage L2 normal	Indicates that the mains voltage is in normal limits again, e.g. after overvoltage.
87	Voltage L3 normal	Indicates that the mains voltage is in normal limits again, e.g. after overvoltage.
90	Phase Asymmetry	Indicates phase asymmetry due to large unbalance of loads connected <b>(2)</b>
92	Bad Voltage Quality L1	Indicates that during each period of one week 95 % of the 10 min mean r.m.s. values of the supply voltage are within the range of $U_n \pm 10\%$ and all 10 min mean r.m.s. values of the supply voltage shall be within the range of $U_n + 10\%/- 15\%$ . (acc. EN50160:2010, section 4.2.2) <b>(2)</b>

93	Bad Voltage Quality L2	Indicates that during each period of one week 95 % of the 10 min mean r.m.s. values of the supply voltage are within the range of $U_n \pm 10\%$ and all 10 min mean r.m.s. values of the supply voltage shall be within the range of $U_n \pm 10\%/- 15\%$ . (acc. EN50160:2010, section 4.2.2) <b>(2)</b>
94	Bad Voltage Quality L3	Indicates that during each period of one week 95 % of the 10 min mean r.m.s. values of the supply voltage are within the range of $U_n \pm 10\%$ and all 10 min mean r.m.s. values of the supply voltage shall be within the range of $U_n \pm 10\%/- 15\%$ . (acc. EN50160:2010, section 4.2.2) <b>(2)</b>
255	Event log cleared	Indicates that the event log was cleared. This is always the first entry in an event log. It is only stored in the affected event log.

**(2) Events included in IDIS Package 2**

Table 51: List of events in the Power quality event log

### 6.5.6 Power failure event log

Power failure event log contains all events related to long power outages, i.e. start and end of a long power outage.

It is a simplified version of the full power quality event log storing just the timestamp and the duration of last long power failure in any phase. The timestamp represents the end of power failure. The object Duration of last long power failure in any phase (0-0:96.7.19.255) stores only the duration of the most recent power outage.

Time thresholds for long power failure is defined with Time threshold for long power failure object (0-0:96.7.20.255), see Power Failure section.

### 6.5.7 Communication event log

Communication event log contains all events related to communication, e.g. no connection timeout, modem related events (modem reset, initialization failure, SIM failure, GSM/GPRS registration failure,...), auto answer. Communication event log structure consists of timestamp and event code.

#### 6.5.7.1. Communication event log codes

Communication event log code object holds the code from the last event triggered. These codes along with timestamps are then used in event log.

List of events in the Communication event log is shown in the Table below:

IDIS event code	Event name	Event description
21	PDP context established	Indicates that the meter has established a new PDP (packet data protocol) context
238	No connection timeout	Indicates No connection timeout when there is no communication for 30h
244	Initialization failure	Modem's response to initialization AT command(s) is invalid or ERROR or no response received
245	SIM failure	SIM card is not inserted or is not recognized
246	GSM registration failure	Modem's registration on GSM network is not successful
247	GPRS registration failure	Modem's registration on GPRS network is not successful
248	PDP context destroyed	PDP context is destroyed



<b>249</b>	Modem SW reset	Modem software restart
<b>250</b>	Modem HW reset	Modem hardware restart
<b>251</b>	GSM hangup	Modem is disconnected
<b>252</b>	Signal quality failure	RSS too low, not known or not detectable
<b>253</b>	Auto Answer	Number of calls has exceeded
<b>255</b>	Event log cleared	Indicates that the event log was cleared. This is always the first entry in an event log. It is only stored in the affected event log.

Table 52: List of events in the Communication event log

## 6.5.8 Certification data log

Certification data log (1-0:99.99.0.255) is another special log, used to log modifications of critical parameters which influence measurement values. The basic structure of the data log contains the timestamp and three additional objects:

- Last modified secure parameter identifier (0-0:96.128.0.255),
- Last modified secure parameter old value (0-0.96.128.1.255),
- Last modified secure parameter new value (0-0.96.128.2.255).

“Last modified secure parameter identifier” object contains the logical name of the most recently modified critical measurement parameter object. “Last modified secure parameter old value” object and the “Last modified secure parameter new value” object contain the last modified object’s previous and newly set values.

Capture to this log is done when one of the critical measurement parameters changes. In this case, all the needed information (logical name, old value and new value) are stored in dedicated objects first and then captured into certification data log.

The following critical parameters are being monitored:

- Active energy metrological LED (1-0:0.3.0.255),
- Reactive energy metrological LED (1-0:0.3.1.255),
- Apparent energy metrological LED (1-0:0.3.2.255),
- Transformer ratio – current (numerator) (1-0:0.4.2.255),
- Transformer ratio – current (denominator) (1-0:0.4.5.255),
- Measurement period 1, for average value 1 (1-0:0.8.0.255).

The capacity of the Certification data log is set to 100 entries. When log is full, the critical measurement objects can no longer be changed. All change requests are rejected. The log can only be erased when meter is in unlocked state. This can only be achieved by removing meter cover.

## 6.5.9 Disconnecter control log

<b>IDIS event code</b>	<b>Event name</b>	<b>Event description</b>
<b>59</b>	Disconnecter ready for manual reconnection	Indicates that the disconnecter has been set into the Ready for reconnection state and can be manually reconnected
<b>60</b>	Manual disconnection	Indicates that the disconnecter has been manually disconnected.
<b>61</b>	Manual connection	Indicates that the disconnecter has been manually connected.
<b>62</b>	Remote disconnection	Indicates that the disconnecter has been remotely disconnected.



63	Remote connection	Indicates that the disconnecter has been remotely connected.
64	Local disconnection	Indicates that the disconnecter has been locally disconnected
65	Limiter threshold exceeded	Indicates that the limiter threshold has been exceeded.
66	Limiter threshold ok	Indicates that the monitored value of the limiter dropped below the threshold.
67	Limiter threshold changed	Indicates that the limiter threshold has been changed
68	Disconnect/Reconnect failure	Indicates that the a failure of disconnection or reconnection has happened
69	Local reconnection	Indicates that the disconnecter has been locally re-connected (i.e. via the limiter or current supervision monitors).
70	Supervision monitor 1 threshold exceeded	Indicates that the supervision monitor threshold has been exceeded.
71	Supervision monitor 1 threshold ok	Indicates that the monitored value dropped below the threshold.
72	Supervision monitor 2 threshold exceeded	Indicates that the supervision monitor threshold has been exceeded.
73	Supervision monitor 2 threshold ok	Indicates that the monitored value dropped below the threshold.
74	Supervision monitor 3 threshold exceeded	Indicates that the supervision monitor threshold has been exceeded.
75	Supervision monitor 3 threshold ok	Indicates that the monitored value dropped below the threshold.
255	Event log cleared	Indicates that the event log was cleared. This is always the first entry in an event log. It is only stored in the affected event log.

Table 53: List of events in the Disconnecter control log

### 6.5.10 M-Bus event log

IDIS event code	Event name	Event description
100	Comm. error M-Bus Ch. 1	Indicates com. problem when reading the meter connected to Ch.1 of the M-Bus
101	Comm. ok M-Bus Ch.1	Indicates that the communication with the M-Bus meter connected to Ch.1 of the M-Bus is ok again.
102	Replace Battery M-Bus Ch. 1	Indicates that the battery must be exchanged due to the expected end of life time.
103	Fraud attempt M-Bus Ch.1	Indicates that a fraud attempt has been registered.
104	Clock adjusted M-Bus Ch. 1	Indicates that the clock has been adjusted.
105	New M-Bus device installed Ch. 1	Indicated the meter (M-Bus master) has registered a M-Bus device connected to channel 1 with a new serial number <b>(2)</b>
106	New M-Bus device installed Ch. 1	Indicated the meter (M-Bus master) has registered a M-Bus device connected to channel 1 with a new serial number <b>(2)</b>
110	Communication Error M-Bus Ch. 2	Indicates com. problem when reading the meter connected to Ch.2 of the M-Bus
111	Comm. ok M-Bus Ch. 2	Indicates that the communication with the M-Bus meter connected to channel 2 of the M-Bus is ok again.
112	Replace Battery M-Bus Ch. 2	Indicates that the battery must be exchanged due to the expected end of life time.
113	Fraud attempt M-Bus Ch. 2	Indicates that a fraud attempt has been registered.
114	Clock adjusted M-Bus Ch. 2	Indicates that the clock has been adjusted.
115	New M-Bus device installed Ch. 2	Indicated the meter (M-Bus master) has registered a M-Bus device connected to channel 2 with a new serial number <b>(2)</b>
116	Permanent Error M-Bus Ch. 2	Severe error reported by M-Bus device <b>(2)</b>
120	Comm. Error M-Bus Ch. 3	Indicates com. problem when reading the meter connected to Ch.3 of the M-Bus
121	Comm. ok M-Bus Ch. 3	Indicates that the communication with the M-Bus meter connected to Ch.3 of the M-Bus is ok again.
122	Replace Battery M-Bus Ch. 3	Indicates that the battery must be exchanged due to the expected end of life time.
123	Fraud attempt M-Bus Ch. 3	Indicates that a fraud attempt has been registered.
124	Clock adjusted M-Bus Ch. 3	Indicates that the clock has been adjusted.
125	New M-Bus device installed Ch. 3	Indicated the meter (M-Bus master) has registered a M-Bus device connected to channel 3 with a new serial number <b>(2)</b>
126	Permanent Error M-Bus Ch. 3	Severe error reported by M-Bus device <b>(2)</b>

130	Comm. Error M-Bus Ch. 4	Indicates com. problem when reading the meter connected to Ch.4 of the M-Bus
131	Comm. ok M-Bus Ch. 4	Indicates that the communication with the M-Bus meter connected to ch.4 of the M-Bus is ok again.
132	Replace Battery M-Bus Ch. 4	Indicates that the battery must be exchanged due to the expected end of life time.
133	Fraud attempt M-Bus Ch. 4	Indicates that a fraud attempt has been registered.
134	Clock adjusted M-Bus Ch. 4	Indicates that the clock has been adjusted.
135	New M-Bus device installed Ch. 4	Indicated the meter (M-Bus master) has registered a M-Bus device connected to channel 4 with a new serial number <b>(2)</b>
136	Permanent Error M-Bus Ch. 4	Severe error reported by M-Bus device <b>(2)</b>
254	Load profile cleared	Any of the profiles cleared. NOTE: If it appears in Standard Event Log then any of the E-load profiles was cleared. If the event appears in the M-Bus Event log then one of the M-Bus load profiles was cleared
255	Event log cleared	Indicates that the event log was cleared. This is always the first entry in an event log. It is only stored in the affected event log.

**(2) Events included in IDIS Package 2**

Table 54: List of events in the M-Bus event log

### 6.5.11 M-Bus control logs

IDIS event code	Event name	Event description
160	Manual disconnection M-Bus Ch.1	Indicates that the disconnecter has been manually disconnected
161	Manual connection M-Bus Ch.1	Indicates that the disconnecter has been manually connected
162	Remote disconnection M-Bus Ch.1	Indicates that the disconnecter has been remotely disconnected
163	Remote connection M-Bus Ch.1	Indicates that the disconnecter has been remotely connected
164	Valve alarm M-Bus Ch. 1	Indicates that a valve alarm has been registered
165	Local disconnection M-Bus Ch. 1	Indicates that the disconnecter has been locally disconnected <b>(2)</b>
166	Local connection M-Bus Ch. 1	Indicates that the disconnecter has been locally connected <b>(2)</b>
170	Manual disconnection M-Bus Ch.2	Indicates that the disconnecter has been manually disconnected
171	Manual connection M-Bus Ch.2	Indicates that the disconnecter has been manually connected
172	Remote disconnection M-Bus Ch.2	Indicates that the disconnecter has been remotely disconnected
173	Remote connection M-Bus Ch.2	Indicates that the disconnecter has been remotely connected
174	Valve alarm M-Bus Ch. 2	Indicates that a valve alarm has been registered
175	Local disconnection M-Bus Ch. 2	Indicates that the disconnecter has been locally disconnected <b>(2)</b>
176	Local connection M-Bus Ch. 2	Indicates that the disconnecter has been locally connected <b>(2)</b>
180	Manual disconnection M-Bus Ch.3	Indicates that the disconnecter has been manually disconnected
181	Manual connection M-Bus Ch.3	Indicates that the disconnecter has been manually connected
182	Remote disconnection M-Bus Ch.3	Indicates that the disconnecter has been remotely disconnected
183	Remote connection M-Bus Ch.3	Indicates that the disconnecter has been remotely connected
184	Valve alarm M-Bus Ch.3	Indicates that a valve alarm has been registered
185	Local disconnection M-Bus Ch. 3	Indicates that the disconnecter has been locally disconnected <b>(2)</b>
186	Local connection M-Bus Ch. 3	Indicates that the disconnecter has been locally connected <b>(2)</b>
190	Manual disconnection M-Bus Ch.4	Indicates that the disconnecter has been manually disconnected
191	Manual connection M-Bus Ch.4	Indicates that the disconnecter has been manually connected
192	Remote disconnection M-Bus Ch.4	Indicates that the disconnecter has been remotely disconnected
193	Remote connection M-Bus Ch.4	Indicates that the disconnecter has been remotely connected
194	Valve alarm M-Bus Ch.4	Indicates that a valve alarm has been registered
195	Local disconnection M-Bus Ch. 4	Indicates that the disconnecter has been locally disconnected <b>(2)</b>
196	Local connection M-Bus Ch. 4	Indicates that the disconnecter has been locally connected <b>(2)</b>
255	Event log cleared	Indicates that the event log was cleared. This is always the first entry in an event log. It is only stored in the affected event log.

**(2) Events included in IDIS Package 2**

Table 55: List of events in the M-Bus control log

## 6.6. Alarms

When some special events occur in meter, internal alarm is generated in meter which can be sent to the central system. The alarm parameters are predefined. The priority levels of alarms are adjustable. Alarms are then registered and handled by the utility HES.

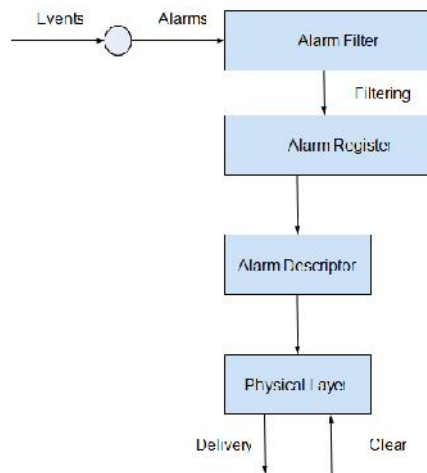


Figure 90: Alarm reporting process

Each bit in the alarm register represents a different alarm. If any bit is set, corresponding alarm was recorded. Value of the alarm register is a 32-bit value of all active and inactive alarms. Depending on the capabilities of the HES and the utility policy it is possible to mask unwanted alarms through the alarm filter.

### 6.6.1 Alarm system

Mx382 meters support three different alarm system codes (active after PD/PU procedure):

- VDEW / IE - (0),
- IDIS - (1),
- EDF - (2).

### 6.6.2 Alarm codes

Bit	Alarm	Description
0	Clock invalid	Current clock is compared with internal clock structure and if there is any deviation the bit is set.
1	Replace battery	Clock battery or backup capacitor is discharged.
2	A2*	
3	A3*	
4	A4*	
5	A5*	
6	<i>Reserved for future use</i>	
7	<i>Reserved for future use</i>	
8	Program memory error	Set whenever a program memory error bit in error register is set.
9	RAM error	Set whenever a RAM error bit in error register is set.

10	NV memory error	Set whenever a NV memory error bit in error register is set.
11	Measurement system error	Set whenever a measurement system error bit in error register is set.
12	Watchdog error	Set whenever a watchdog error bit in error register is set.
13	Fraud attempt	Set when fraud attempt is detected.
14	<i>Reserved for future use</i>	
15	<i>Reserved for future use</i>	
16	Comm. error M-Bus Ch1	M-Bus device connected to the channel 1 does not respond.
17	Comm. error M-Bus Ch2	M-Bus device connected to the channel 2 does not respond.
18	Comm. error M-Bus Ch3	M-Bus device connected to the channel 3 does not respond.
19	Comm. error M-Bus Ch4	M-Bus device connected to the channel 4 does not respond.
20	Fraud attempt M-Bus Ch1	Alarm is set when M-Bus device connected to the Ch. 1 reports a fraud attempt.
21	Fraud attempt M-Bus Ch2	Alarm is set when M-Bus device connected to the Ch. 2 reports a fraud attempt.
22	Fraud attempt M-Bus Ch3	Alarm is set when M-Bus device connected to the Ch. 3 reports a fraud attempt.
23	Fraud attempt M-Bus Ch4	Alarm is set when M-Bus device connected to the Ch. 4 reports a fraud attempt.
24	<i>Reserved for future use</i>	
25	<i>Reserved for future use</i>	
26	<i>Reserved for future use</i>	
27	<i>Reserved for future use</i>	
28	<i>Reserved for future use</i>	
29	<i>Reserved for future use</i>	
30	<i>Reserved for future use</i>	
31	<i>Reserved for future use</i>	

(\*) Only valid for the PLC meters. Alarms A2 to A5 are mapped into bit3 to bit6. See "CIASE - Alarm Descriptor Service".

Table 56: Alarm 1 codes (IDIS P1/P2)

Bit	Alarm	Description
0	Total Power Failure	Set when power-down on meter occurs.
1	Power Resume	Set when meter power returns.
2	Voltage Phase Failure L1	Set when voltage on at least L1 phase has fallen below the Umin threshold for longer than time delay.
3	Voltage Phase Failure L2	Set when voltage on at least L2 phase has fallen below the Umin threshold for longer than time delay.
4	Voltage Phase Failure L3	Set when voltage on at least L3 phase has fallen below the Umin threshold for longer than time delay.
5	Voltage Phase Resume L1	Set when the mains voltage on L1 is in normal limits again.
6	Voltage Phase Resume L2	Set when the mains voltage on L2 is in normal limits again.
7	Voltage Phase Resume L3	Set when the mains voltage on L3 is in normal limits again.
8	Missing Neutral	Set when the neutral connection from the supplier to the meter is interrupted.
9	Phase Asymmetry	Set when large unbalance loads is present
10	Current Reversal	Set when unexpected energy export is present (for energy import configured devices only).
11	Wrong Phase Sequence	Set when wrong mains connection or fraud (polyphase meters only).
12	Unexpected Consumption	Set when consumption is detected on at least one phase when disconnecter has been disconnected.
13	Key Exchanged	Set when one or more global keys changed.
14	Bad Voltage Quality L1	Set when L1 voltage is not within ranges for defined period of time (see EN50160:2010, section 4.2.2).
15	Bad Voltage Quality L2	Set when L2 voltage is not within ranges for defined period of time (see EN50160:2010, section 4.2.2).
16	Bad Voltage Quality L3	Set when L3 voltage is not within ranges for defined period of time (see EN50160:2010, section 4.2.2).
17	External Alert	Set when signal is detected on meter's INPUT terminal.
18	Local Communication Attempt	Set when communication on any local port is detected (i.e. unauthorized access)

19	New M-Bus Device Installed Ch1	Set when new M-Bus device is registered on the Ch1 with new serial number.
20	New M-Bus Device Installed Ch2	Set when new M-Bus device is registered on the Ch2 with new serial number.
21	New M-Bus Device Installed Ch3	Set when new M-Bus device is registered on the Ch3 with new serial number.
22	New M-Bus Device Installed Ch4	Set when new M-Bus device is registered on the Ch4 with new serial number.
23	<i>Reserved for future use</i>	
24	<i>Reserved for future use</i>	
25	<i>Reserved for future use</i>	
26	<i>Reserved for future use</i>	
27	M-Bus Valve Alarm Ch1	Set when ALARM STATUS bit is received from device on Ch1.
28	M-Bus Valve Alarm Ch2	Set when ALARM STATUS bit is received from device on Ch2.
29	M-Bus Valve Alarm Ch3	Set when ALARM STATUS bit is received from device on Ch3.
30	M-Bus Valve Alarm Ch4	Set when ALARM STATUS bit is received from device on Ch4.
31	Disconnect/Reconnect Failure	Set when disconnector failed to connect/disconnect.

Table 57: Alarm 2 codes (IDIS P2)

### 6.6.3 Alarm register

If any of the special events occurs, which triggers alarm, the corresponding flag in the alarm register is set. All alarm flags in the alarm register remain active until the alarm register is cleared internally (by device) or remotely (by client). Each bit in alarm register represents a different alarm. If any bit is set (logical 1), alarm was recorded. Value in the register is a 32-bit value of all active and inactive alarms at that time.

### 6.6.4 Alarm filter

Alarms can be masked through the Alarm Filter object. To mask out unwanted alarm, corresponding bit (logical 0) in the alarm filter register must be cleared (unchecked). By default no alarm is enabled. Structure of the Alarm filter is the same as structure of the Alarm register.

### 6.6.5 Alarm status

Alarm status register shows which alarm has been triggered. There is a separate register for the ON and OFF statuses. Each bit represents the corresponding alarm. Recorded bit remains active until it is cleared by the client. This registers cannot be cleared by the device. Structure of the Alarm status is the same as the Alarm register.

### 6.6.6 Alarm descriptor

Whenever a bit in the Alarm Registers changes from 0 to 1, then the corresponding bit of the Alarm Descriptors is set to 1. Resetting the Alarm Registers does not affect the Alarm Descriptors. The set bits of the Alarm Descriptors can be reset explicitly by the client. Structure of the Alarm descriptor is the same as the Alarm register.

### 6.6.7 Alarm monitor

Alarm monitor is a special implementation of the Register monitor functionality (according to the IDIS P2 specification), which is used to trigger action up, when any new alarm occurs in the meter. This is monitored through the configured Alarm descriptor register as a monitored object.

## 6.7. Errors

The meter uses its automatic supervision mechanism to detect and log different types of events related to meter operation. These events can be a part of meter's internal functionality or can occur due to changes in the meter's environment. When an event which indicates a malfunction in meter operation is triggered, the appropriate flag in the error register is set.

Once a flag in the Error register object (0-0:97.97.0.255) is set, it remains active even after the corresponding error condition has disappeared. The Error register object has to be cleared manually (using supported communication interfaces). If, after the flag in the error register has been cleared, the corresponding error condition still remains, the flag in the error register is re-set by the meter.

During operation, the meter performs tests of individual functions. In case of an error it is represented with corresponding error bit in the Error Object register and FF flag on the LCD display is set. The Error Object value register is 32 bits long and is organized in 4 groups of errors:

- Memory errors,
- Communication errors,
- Clock errors,
- Control errors.

### 6.7.1 Error register

Mx382 meters contain two sets of error registers. First set is used to report errors with IDIS specifications, while the second set is used for backward capability with other Iskraemeco AMI meters.

The table below gives an overview of all errors (IDIS errors codes) and their assignments.

Bit	Error	Description
0	Clock invalid	Clock is invalid.
1	Replace battery (discharged)	Clock battery or backup capacitor is discharged.
2-7	Unused	/
8	Program memory error	Indicates error in the meters program space (internal flash memory) when the behavior of meter is unpredictable and the meter should be replaced. The results stored in the meter should be inspected and validated.
9	RAM error	Error detected in RAM (data) memory. The meter can operate irregularly.
10	NV memory error	Error detected in non-volatile memory. The meter can operate irregularly.
11	Measurement system error	Error detected in measurement system. The measurement could be inaccurate.
12	Watchdog error	Meter has been restarted by watch-dog circuitry.

13-15	Unused	/
16	Communication error M-Bus channel 1	Communication with M-Bus device on channel 1 failed.
17	Communication error M-Bus channel 2	Communication with M-Bus device on channel 2 failed.
18	Communication error M-Bus channel 3	Communication with M-Bus device on channel 3 failed.
19	Communication error M-Bus channel 4	Communication with M-Bus device on channel 4 failed.
20-31	Unused	/

Table 58: IDIS error codes register

The table below gives an overview of all errors (IE errors codes) and their assignments.

Bit	Error	Description
0-7	Unused	
8	ROM checksum error	
9	Back-up data checksum	
10	Parameters checksum	
11	Profile checksum	
12	Event log checksum	
13	RAM checksum	
14-15	Unused	
16	RAM error	Error detected in RAM (data) memory. The meter can operate irregularly.
17	FRAM memory error	Error detected in non-volatile memory. The meter can operate irregularly
18	Measurement error	
19	RTC error	
20-21	Unused	
22	Communication error	
23	Display error	
24	Battery discharged	Clock battery or backup capacitor is discharged.
25	Invalid time	Clock is invalid.
26-31	Unused	

Table 59: IE error codes register

## 6.7.2 Error filter

Depending on the capabilities of the system and the policy of the utility, not all possible errors are desired. Therefore the error filter object can be programmed to mask out unwanted errors. The structure of the Error 1 filter object (0-0:196.97.0.255) is the same as the structure of the Error register object (0-0:97.97.0.255). To mask out unwanted errors the corresponding bit in the error filter should be set to logical 1.

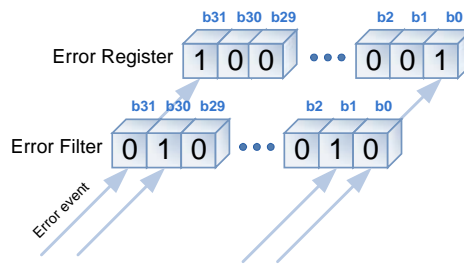


Figure 91: Error filtering

### 6.7.3 Error display filter

With this objects errors can be filtered out on display FF flag. In order to filter out the right error the corresponding bit in the error display filter should be set to logical 1.

### 6.7.4 Error types

Errors recorded in the Error register object (0-0:97.97.0.255) fall into one of five categories:

- Clock errors,
- Memory errors,
- Measurement system error,
- Communication errors,
- Control errors.

#### 6.7.4.1. Clock errors

##### Invalid clock error

Current clock is compared with internal clock structure and if there is any deviation error will be set. When the meter clock is set the meter will reset invalid time bit in error register. The energy registers are not affected by “Invalid time error”.

##### Check battery state error

The state of battery or real time backup capacitor is monitored continuously and if voltage level falls under specified threshold an error is reported by setting Replace Battery Error flag.

#### 6.7.4.2. Memory errors

##### Program memory error

Program memory is checked by integrity of program code stored. Program code is signed by MD5 algorithm during the build time. The signature is stored together with program code in program memory. In the run time meter calculates signature over program code and compares it with previously stored one. If signatures are different, Program Memory Error flag is set.

Due to substantial size of program memory, program memory checking runs as background task to not affect normal execution of other program code. By continuous running any unpredicted changes in program code can be detected and reported.



**Data memory error**

Complete data memory (RAM) is checked during initialization process of the meter, which is started after power-up or firmware upgrade. During initialization procedure a meter performs test of RAM through whole address range. The test is executed for every memory location and it is nondestructive. The original content of memory location under test is loaded to the CPU register, and then inverted content is stored to the same memory location and compared with inverted content stored in CPU register. Upon successful comparison of the inverted content, the original content of memory location is restored and compared with its copy sorted in CPU register at the beginning of the test. If test fails, meter sets RAM Error flag.

Otherwise during the normal operation meter checks integrity data structures where critical data are stored. Each time when such data structure is intentionally changed, new signature is calculated and stored. Later on when data are accessed again by the program, the integrity can be checked by comparing newly calculated signature with one calculated during last intentional change. If signatures do not match, meter sets RAM Error flag. In such way continuous monitoring of RAM is achieved.

**Non-Volatile memory error**

The non-volatile memory is used to retain the stored information even when a meter is not powered. It is used as long-term persistent storage for periodical history data, billing data, event logs, register back-up copies, parameters and any other data meter needs for normal start.

Data integrity checking is performed periodically or randomly during data access. Checking of data which are results of meter processes and they are changing more often is done during data access. The meter configuration parameters are checked periodically with period of one hour. If any of the checks fails Non-volatile Memory in errors register is set.

#### 6.7.4.3. Measurement system error

**Check accuracy measurement error**

Checking of undisturbed operation and accuracy of the meter, to certain extend, performs a meter by itself. If any error is detected, meter reports it by setting Measurement System Error flag.

#### 6.7.4.4. Communication errors

**M-Bus Communication error**

Connection of meter with hosted M-Bus meter is checked during communication with M-Bus slave device. If there is no respond from a slave device or there is a respond but structure of the data frame on data link layer is incorrect, meter will set corresponding error bit.

#### 6.7.4.5. Control errors

**ROM Checksum error**

Indicates error in the meters program space (micro-controller internal FLASH memory) when the behavior of meter is unpredictable and meter should be replaced. The results stored in the meter should be inspected and validate.

**Backup Error**

Indicates CRC error in FRAM for energy back-up data and every time when new copy is created meter calculates CRC for it. Before use of such copy meter checks CRC and if CRC is not valid generates “Backup Error”.

**Parameter Error**

Indicates checksum error in parameter storage (meters non-volatile memory). The error does not affect energy cumulative registers but can affect tariff registers if an error is detected inside tariff program. The error bit can be reset by writing new set of parameters.

**Data Error**

Indicates CRC error for energy data stored in RAM and this error appears in combination with “Backup Error”. Since occurrence of that error results in the meter are not valid, the meter should be replaced.

6.8. Activity calendar and TOU registration

See Chapter 5.4.

6.9. Disconnecter – Load switch

Plug-in (Only for direct connected MT382 meters) disconnecter is used for remote disconnection and reconnection of electric network to individual customers. Control can be performed locally (from the meter) or from a remote control centre using the meter AMR communication. ME382 meters have build-in disconnecter. Transformer connected MT382 meters can have configured relay as a “disconnecter functionality”, which can drive external transformer disconnecter.



Figure 92: Disconnecter for MT382-D1

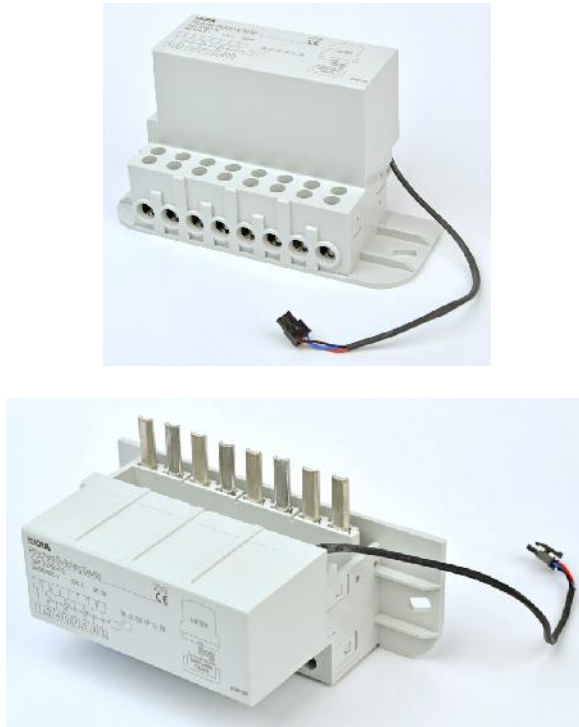


Figure 93: Disconnector for MT382-D2



Figure 94: MT382 meter with disconnector

Disconnect and reconnect can be requested:

- Remotely, via a communication channel: remote disconnect, remote reconnect,
- Manually, using e.g. a **Scroll** key: manual disconnect, manual reconnect,
- Locally, by a function of the meter (e.g. limiter, register monitor): local disconnect, local reconnect.

The state diagram and the possible state transitions are shown in the figure below:

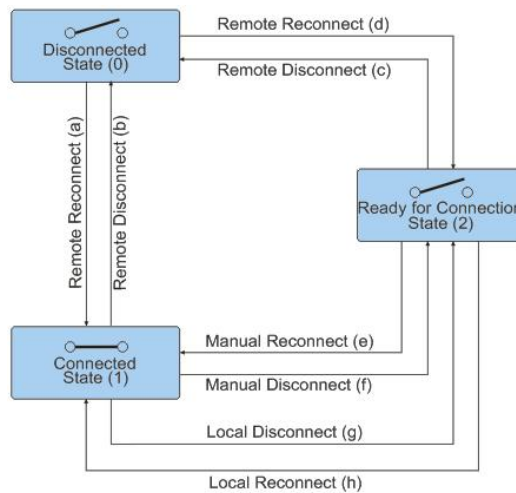


Figure 95: Disconnect state control diagram

Table below shows and describes all available disconnector transitions.

Transition	Transition name	Description
a	Remote reconnect	Moves the Disconnect control object from the Disconnected (0) state directly to the Connected (1) state without manual intervention
b	Remote disconnect	Moves the Disconnect control object from the Connected (1) state to the Disconnected (0) state
c	Remote disconnect	Moves the Disconnect control object from the Ready for reconnection (2) state to the Disconnected (0) state
d	Remote reconnect	Moves the Disconnect control object from the Disconnected (0) state to the Ready for reconnection (2) state. From this state, it is possible to move to the Connected (2) state via the manual reconnect transition (e)
e	Manual reconnect	Moves the Disconnect control object from the Ready for connection (2) state to the Connected (1) state
f	Manual disconnect	Moves the Disconnect control object from the Connected (1) state to the Ready for connection (2) state. From this state, it is possible to move back to the Connected (2) state via the manual reconnect transition (e)
g	Local disconnect	Moves the Disconnect control object from the Connected (1) state to the Ready for connection (2) state. From this state, it is possible to move back to the Connected (2) state via the manual reconnect transition (e). Transitions f) and g) are essentially the same, but their trigger is different
h	Local reconnect	Moves the Disconnect control object from the Ready for connection (2) state to the Connected (1) state. Transitions e) and h) are essentially the same, but their trigger is different.

Table 60: Disconnect transitions



Disconnecter can not be in use as main network switch or fuse.

## 6.9.1 Disconnecter type

With this object disconnecter type can be selected. Available options are:

- 0 – None (disabled actions on disconnecter),
- 1 – Disconnecter (also called circuit breaker) OM31 or poly-phase ZO3xx unit or one phase build-in disconnect unit,
- 4 – Relay driven (external disconnect unit driven with relay).



For effective use of functionalities, meter must be properly configured.

## 6.9.2 Disconnect control

This object controls the connection and disconnection of the premises of the consumer.

### Output State

Disconnect Output State shows the actual physical state of the disconnect unit.

- FALSE – Open – Customer is disconnected from the network - (0),
- TRUE – Closed – Customer is connected to the network - (1).

### Control State

Control State defines internal logical state of the disconnect unit. Possible control states are:

- Disconnected – Customer is disconnected from the network - (0),
- Connected – Customer is connected to the network - (1),
- Ready for reconnection – Customer is disconnected from the network - (2).

When disconnecter is in Ready For Reconnection control state, it is possible to perform manual connect on the meter by holding the **Scroll** key until ConnEct is shown on display.

### Control Mode

Defines available transitions in Disconnect control class.

Mode	Description	
0	None. The disconnect control object is always in 'connected' state	
1	Disconnection:	Remote (b, c) Manual (f) – Press and hold <b>Scroll</b> key till Disconnect appears and release the key Local (g)
	Reconnection:	Remote (d) Manual (e) – Press and hold the <b>Scroll</b> key till EntEr appears and release the key
2	Disconnection:	Remote (b, c) Manual (f) – Press and hold <b>Scroll</b> key till Disconnect appears and release the key Local (g)
	Reconnection:	Remote (a) Manual (e) – Press and hold the <b>Scroll</b> key till EntEr appears and release the key
3	Disconnection:	Remote (b, c)

		Local (g)
	Reconnection:	Remote (d) Manual (e)
4	Disconnection:	Remote (b, c) Local (g)
	Reconnection:	Remote (a) Manual (e) – Press and hold the <b>Scroll</b> key till EntEr appears and release
5	Disconnection:	Remote (b, c) Manual (f) – Press and hold <b>Scroll</b> key till Disconnect appears and release the key Local (g)
	Reconnection:	Remote (d) Manual (e) – Press and hold the <b>Scroll</b> key till EntEr appears and release the key Local (h)
6	Disconnection:	Remote (b, c) Local (g)
	Reconnection:	Remote (d) Manual (e) – Press and hold the <b>Scroll</b> key till EntEr appears and release the key Local (h)

Table 61: Disconnecter modes



For effective use of functionalities, meter must be properly configured.

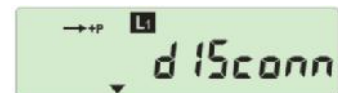
Depending on the mode selected, manual reconnection and disconnection is possible by pressing the **Scroll** key.

Manual reconnection (all control modes): Display shows ConnEct. Press the **Scroll** key for 5 seconds (until EntEr appears on the display) and then release the key.



Manual disconnection (control modes: 1, 2, 5): Press the **Scroll** key for 10 seconds (until dISconn appears on the display) and then release it.

The switchover can be also made remotely by executing remote disconnect or remote reconnect method. Transition change is described in Disconnect control IC state diagram (BB10ed, p.84).



For manual reconnection of the meter, which is placed in the meter cabinet, the non-potential external key on the door of the cabinet can be used.

### Method Description

- Remote disconnect forces the disconnecter into 'disconnected' state if remote disconnection is enabled (control mode > 0).
- Remote reconnect forces the disconnecter into the 'ready for reconnection' state if a direct remote reconnection is disabled (control mode = 1, 3, 5, 6) or into 'connected' state' if a direct remote reconnection is enabled (control mode = 2, 4).

### 6.9.3 Disconnect control log

Contains all events related to the disconnect, e.g. connect, disconnect, changing of the disconnecter threshold. Disconnect control log structure contains timestamp and event code. Disconnecter control event log code object holds the code from the last event triggered. These codes along with timestamps are then used in event log. (See chapter 6.13.9)

## 6.10. Limitation

Beside collecting and processing energy consumption data, AMI system offers load balancing and control. To achieve this current and demand limitation is implemented in the meter. During short time period when power consumption exceeds contractual value for a specified time interval, customer is disconnected from the grid until normal conditions are achieved or when penalty time is over.

To handle consumption monitoring and disconnection of customer premises, following principles are used:

- Phase current measurement,
- Disconnection separation between disconnecter and main fuse,
- Threshold level settings in accordance with customer contract and local regulator rules.

A disconnecter is only disconnection element, all measurements, supervision of measured quantities is handled by AMI meter.

The meter supports two different limitation types: Limiter and Supervision monitor. Supervision monitor supports both:

- IDIS definition implementation (average phase current monitoring),
- GIZ definition implementation (instantaneous phase current monitoring with penalty timers).



For effective use of functionalities, meter must be properly configured.

### 6.10.1 Limiter

Limiter functions are used to monitor electrical network for exceeding maximum energy (power) in predefined period of time. Limiter object handles normal current and instantaneous power monitoring as well as the emergency settings. Meter supports two limiter objects.

The customer can (after correcting the exceeding level) reconnect network manually (by pressing the **Scroll** key on the meter) or with remote connection (depending on the disconnecter mode used).



For effective use of functionalities, meter must be properly configured.

The threshold value can be normal or emergency threshold. The emergency threshold is activated via the emergency profile defined by emergency profile id, activation start time, and duration. The emergency profile id element is matched to an emergency profile group ID: this mechanism enables the activation of the emergency threshold only for a specific emergency group.

The limitation or disconnection functionality can be activated in the meter itself or by remote action. The meter disconnects the network (via disconnector) if a maximum current or power limit has exceeded during a predefined period of time. The current or power levels with the allowed exceeding periods are set in the meter.

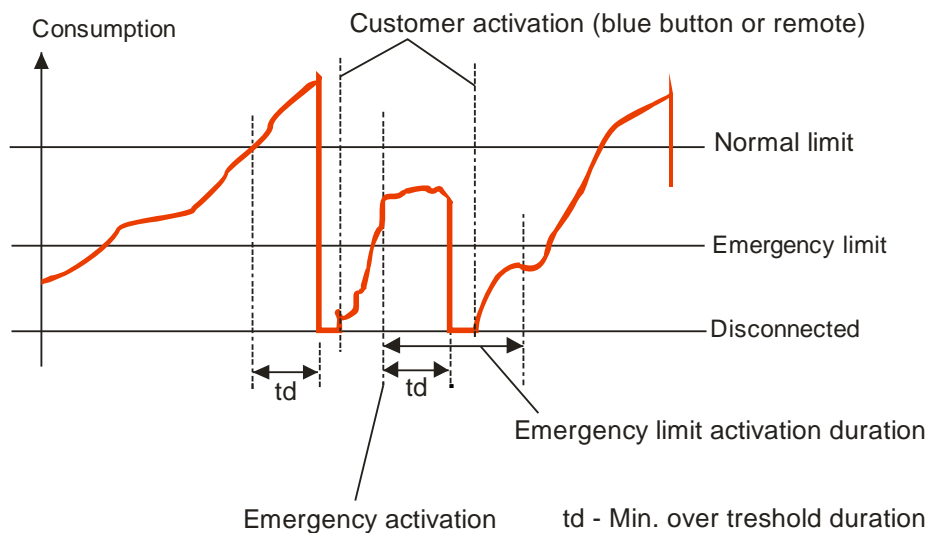


Figure 96: Limiter diagram

Instances of the Limiter interface class allows set of actions which are executed when the value of a monitored object attribute “Data”, “Register”, “Extended Register”, “Demand Register”, etc. crosses the threshold value for at least a minimal duration time.

IDIS defines only one limiter object instance. Iskraemeco meters have two limiter instances (0-0:17.0.0 and 0-0:17.0.1).

**Monitored Value**

Monitored value defines an attribute of an object to be monitored. Only attributes with simple data types are allowed. Instantaneous current (example for three-phase meters is object 1-0:90.7.0 (Algebraic sum L1, L2 & L3 current), or sliding demand average import/net power (1-0:1.24.0, 1-0:15.24.0).

**Threshold Active**

Provides the active threshold value to which the attribute monitored is compared.

**Threshold Normal**

Provides the threshold value to which the attribute monitored is compared when in normal operation.

**Threshold Emergency**

Provides the threshold value to which the attribute monitored is compared when an emergency profile is active.



**Minimum over Threshold Duration**

Defines minimal over threshold duration in seconds required to execute the over threshold action.

**Minimum under Threshold Duration**

Defines minimal under threshold duration in seconds required to execute the under threshold action.

**Emergency Profile**

An emergency profile is defined by three elements:

- emergency profile ID,
- emergency activation time,
- emergency duration.

An emergency profile is activated if the emergency profile ID element matches one of the elements on the emergency profile group ID list, and time matches the emergency activation time and emergency duration element:

- Emergency activation time defines the date and time when the emergency profile is activated.
- Emergency duration defines the duration in seconds, for which the emergency profile is activated.

When an emergency profile is active, the emergency profile active attribute is set to TRUE.

**Emergency Profile Group ID List**

It defines a list of group IDs of the emergency profile. The emergency profile can be activated only if emergency profile ID element of the emergency profile type matches one of the elements on the emergency profile group ID list.

**Emergency Profile Active**

It indicates that the emergency profile is active.

- False - (0),
- True - (1).

**Actions**

It defines the script to be executed when the monitored value crosses the threshold for minimal duration time.

- Action over threshold defines the action when the value of the attribute monitored crosses the threshold in upwards direction and remains over threshold for minimal over threshold duration time;  
(0-0:10.0.106, 1; 0-0:10.0.106, 2)
- Action under threshold defines the action when the value of the attribute monitored crosses the threshold in the downwards direction and remains under threshold for minimal under threshold duration time.  
(0-0:10.0.106, 0; 0-0:10.0.106, 1)

**6.10.2 Supervision monitor - IDIS**

Mx382 meter features phase current limitation with three RM objects. Every RM monitors the corresponding phase demand register. Actions that need to be taken are defined via the Disconnector script table object, where action on Disconnect control object is defined.

When monitored value passes threshold upwards or downwards, action up or action down is taken. For Mx382 meters, there is only one threshold allowed to be set, because of the limitation functionality.

IDIS specifies objects 1-0:31.4.0, 1-0:51.4.0 and 1-0:71.4.0 for a monitored value. This is not directly measured phase current RMS, but the averaged value over the number of periods, which is defined with demand class object instance for every phase. Phase RMS current is averaged with period (1 second) and number of periods (90) values. Value has a 1A resolution rounded down.

### 6.10.2.1. Register monitor – Monitored value

**Current Average Value**

This attribute provides the current average value of the current.

**Last Average Value**

Provides the last average value of the current (over the last number of periods\*period) divided by number of periods\*period.

**Status**

This attribute provides “Demand register” specific status information.

**Capture Time**

Provides the date and time when the last average value has been calculated. Octet-string, formatted as set in 4.1.6.1 for date time.

**Start Time Current**

Provides the date and time when the measurement of the current average value has been started. Octet-string, formatted as set in 4.1.6.1 for date time.

**Period**

Period is the interval between two successive updates of the last average value. Measuring period is in seconds.



For effective use of functionalities, meter must be properly configured.

**Number of Periods**

The number of periods used to calculate the last average value.

### 6.10.2.2. Register monitor instance

**Thresholds**

This attribute provides threshold values with which the attribute of the referenced register is compared. The threshold is the same type as the monitored attribute of the referenced object.



For effective use of functionalities, meter must be properly configured.

**Monitored Value**

Defines an object of specific class and it's attribute to be monitored. IDIS specifications require one of the next available objects with IC 5, attr. 2: 1-0:31.4.0, 1-0:51.4.0 and 1-0:71.4.0.



For effective use of functionalities, meter must be properly configured.

**Actions**

This attribute defines scripts to be executed when the monitored attribute of the referenced object crosses the corresponding threshold. The attribute "actions" has exactly the same number of elements as the attribute "thresholds". The action items order corresponds to the thresholds (see above values order) where:

- action up defines the action when the attribute value of the monitored register crosses the threshold in the upwards direction  
(0-0:10.0.106, 1; 0-0:10.0.106, 2),
- action down defines the action when the attribute value of the monitored register crosses the threshold in the downwards direction  
(0-0:10.0.106, 1; 0-0:10.0.106, 0).

Abbreviations:

- RM – register monitor,
- TEE – threshold exceeding event,
- TOE – threshold OK event,
- OTD – over threshold duration.

### 6.10.3 Supervision monitor - GIZ

The meter features phase current limitation with three RM objects. Every RM monitors the corresponding phase current instantaneous value. The actions that need to be taken are defined via the Disconnecter script table object, where action on Disconnect control object is defined.

The functionality of the register monitor is affected with two manufacturer specific objects "Over threshold duration" and "Manual Reconnection penalty time".

#### 6.10.3.1. Register monitor

**Thresholds**

Provides the threshold values to which the attribute of the referenced register is compared. The threshold is of the same type as the monitored attribute of the referenced object.



For effective use of functionalities, meter must be properly configured.

**Monitored Value**

Defines an object of specific class and it's attribute to be monitored. GIZ specifications require next objects: 1-0:31.7.0, 1-0:51.7.0 and 1-0:71.7.0.



For effective use of functionalities, meter must be properly configured.

### Actions

This attribute defines the scripts to be executed when the monitored attribute of the referenced object crosses the corresponding threshold. The attribute “actions” has exactly the same number of elements as the attribute “thresholds”. The ordering of the action items corresponds to the ordering of the thresholds (see above) where:

- action up defines the action when the attribute value of the monitored register crosses the threshold in the upwards direction  
(0-0:10.0.106, 1; 0-0:10.0.106, 2),
- action down defines the action when the attribute value of the monitored register crosses the threshold in the downwards direction  
(0-0:10.0.106, 1; 0-0:10.0.106, 0).

#### 6.10.3.2. Over threshold duration

Defines the maximum duration in seconds, how long can monitored value stay over the threshold level, before disconnect occurs.



For effective use of functionalities, meter must be properly configured.

#### 6.10.3.3. Manual reconnection penalty time

Defines the minimum duration in seconds, how long we have to wait after the disconnect action, before we can reconnect again.

Example 1: monitoring phase current with constant threshold parameter

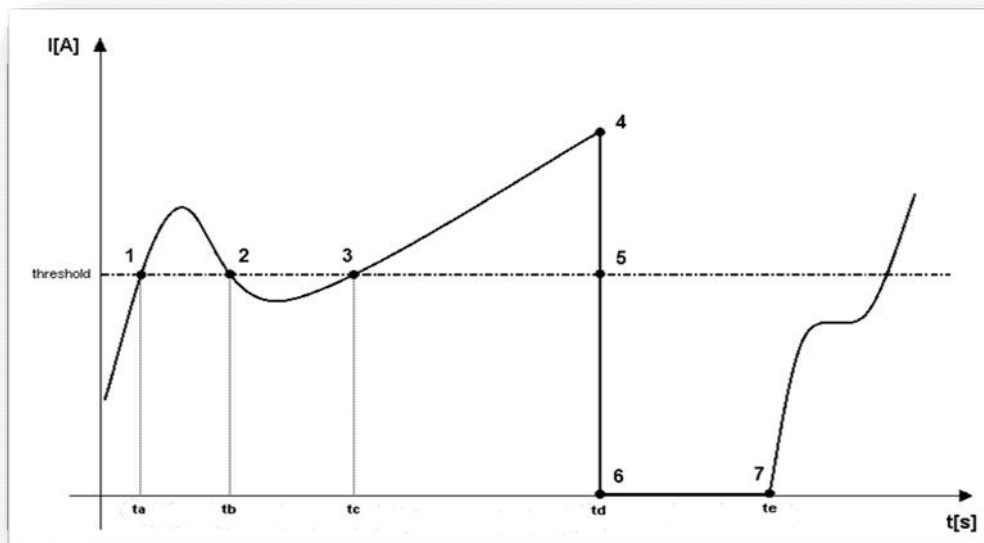


Figure 97: Monitoring phase current with constant threshold parameter

- [1] – RM detects action up. TEE for monitored register is generated in a Control log.
- [2] – RM detects action down. Duration is less than OTD time  $t_b - t_a < 90$  sec. “Threshold OK” event for monitored register is generated in a Control log.
- [3] – RM detects action up. TEE for monitored register is generated in a Control log.
- [4] – RM detects time over threshold  $t_d - t_c = 90$  sec. Local disconnect transition (g) occurs and the disconnecter disconnects. Disconnect event is generated in a Control log.
- [5] – RM detects action down. Because the reason for this is [4], no “Threshold OK” event is generated in a Control log.
- [6] – Console status “connect” is displayed. Penalty timer starts.
- [7] – After RPT is over  $t_e - t_d > 60$  sec, it is possible to reconnect the disconnecter again.

## 6.11. Identification numbers

### 6.11.1 COSEM Logical Device Name

The COSEM logical device can be identified by its unique COSEM logical device name. This name can be retrieved from an instance of IC “SAP assignment”, or from a COSEM object named “COSEM logical device name”. The name is of type octet-string of up to 16 octets in size. The following figure presents the division of the “COSEM logical device name” as enforced by the IDIS association.

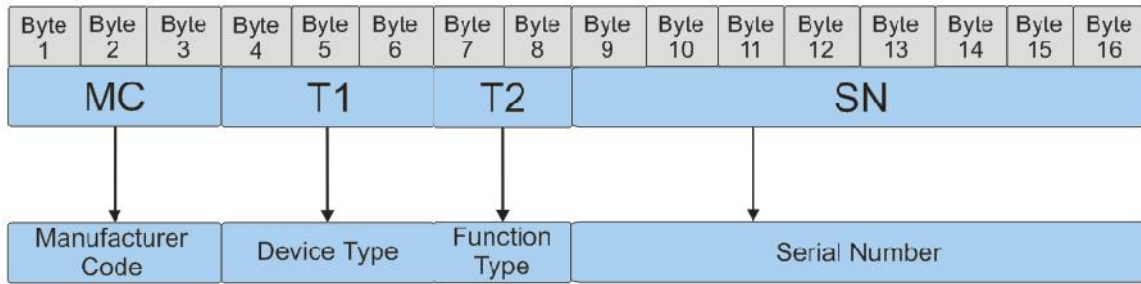


Figure 98: COSEM Logical Device Name Structure

The first three octets (MC) are ASCII encoded and uniquely identify the manufacturer of the device. The next three octets (T1) present ASCII encoded IDIS device type.

The IDIS device types have the following meanings:

Device Type	Meaning
000 ... 098	reserved for non-IDIS meters; system title is considered as manufacturer specific
099	reserved system title for the DC
100	IDIS package1 PLC single phase meter
101	IDIS package1 PLC poly phase meter
102	IDIS package2IP single phase meter
103	IDIS package2IPpoly phase meter
104 ... 255	Reserved for future use

Table 62: The IDIS Device Type Meaning

The next two octets (T2) present ASCII encoded IDIS function type.

The IDIS function types have the following meanings:

Function Type	Bit Meaning
Bit0 = 1	Disconnecter extension
Bit1 = 1	Load Management extension
Bit2 = 1	Multi Utility extension
Bit3 = 1	Reserved for future use by IDIS

Table 63: The IDIS Function Type Meaning

Last eight octets (SN) present ASCII encoded E-meter serial number as specified in COSEM object "Device ID" [0-0:96.1.0].



For effective use of functionalities, meter must be properly configured.

Example of the COSEM logical device name for Iskraemeco's ME382 meter with disconnecter, multi-utility and load management functionality with the Device ID 00000001:

MC			T1			T2		SN							
Octe t01	Octe t02	Octe t03	Octe t04	Octe t05	Octe t06	Octe t07	Octe t08	Octe t09	Octe t10	Octe t11	Octe t12	Octe t13	Octe t14	Octe t15	Octe t16
I	S	K	1	0	2	0	7	0	0	0	0	0	0	0	1

Table 64: COSEM logical device name example 1

### 6.11.2 System title

System title is tightly coupled with the COSEM logical device name. The relation between both entities is as follows:

System title is eight (8) octets in size while the COSEM logical device name is sixteen (16) octets in size. Thus the transformation is:

- MC is three (3) octets long,
- T1 is one (1) octet long and HEX encoded,
- T2 is half octet long (four MSB bits) and HEX encoded,
- SN is three and a half octets long and HEX encoded.

Example of the COSEM logical device name for Iskraemeco's ME382 meter with disconnecter, multi-utility and load management functionality with the Device ID 00000001:

Octet01	Octet02	Octet03	Octet04	Octet05	Octet06	Octet07	Octet08
<b>MC</b>			<b>T1</b>	<b>T2</b>	<b>SN</b>	<b>Sn</b>	<b>SN</b>
<b>ISK</b>			<b>66</b>	<b>70</b>	<b>0</b>	<b>0</b>	<b>1</b>

Table 65: COSEM logical device name example 2

### 6.11.3 Device number

Device number is unique meter number in certain group of meters. The number is ASCII encoded. The length of the ID must be eight (8) octets.

The number is copied into IEC local port setup object (0-0:20.0.0) and is used when accessing the meter through IEC 61056-21 (former 1107) protocol.



For effective use of functionalities, meter must be properly configured.

### 6.11.4 Device ID

Meter has nine different device ID's:

- Device ID 1 – E-Meter serial number (e=0),
- Device ID 2 – E-Meter equipment ID (e=1),
- Device ID 3 – function location (e=2),
- Device ID 4 – location information (e=3),
- Device ID 5 – general purpose (e=4),
- Device ID 6 – (e=5),
- Device ID 7 – (e=6),
- Device ID 8 – (e=7),
- Device ID 9 – meter ID (e=8).

#### 6.11.4.1. Device ID 1

Device ID1 is E-meter factory serial number (also reflected in a COSEM logical device name). The number is ASCII encoded. The length of the ID must be eight (8) octets.



For effective use of functionalities, meter must be properly configured.

#### 6.11.4.2. Device ID 2

Device ID2 is customer ID. The number is ASCII encoded. The length of the ID must not exceed forty eight (48) octets.

#### 6.11.4.3. Device ID 3

Device ID3 represents function location. The number is ASCII encoded. The length of the ID must not exceed forty eight (48) octets.

#### 6.11.4.4. Device ID 4

Device ID4 includes location information. The number is ASCII encoded. The length of the ID must not exceed forty eight (48) octets.

#### 6.11.4.5. Device ID 5

Device ID5 has no special meaning defined. It is general purpose ID for any identification purposes. The number is ASCII encoded. The length of the ID must not exceed forty eight (48) octets.

#### 6.11.4.6. Device ID 6

Device ID 6 is IDIS certification number. The number is ASCII encoded. The length of the ID must not exceed forty eight (48) octets.

#### 6.11.4.7. Device ID 7 .. Device ID 9

The length of the ID must not exceed forty eight (48) octets.

### 6.11.5 Medium specific ID

M-Bus device id's are described under M-Bus Section: M-Bus identification numbers.



### 6.11.6 Meter software identification

This chapter describes metering application FW identification for electric energy meter types Mx382.

#### 6.11.6.1. Software architecture

The main parts of the basic modular division of software for the Mx382 meters are:

- platform,
- core interface,
- module.

“Platform” and “core interface” constitute a concluded entity called CORE, while application module represents MODULE. Each of two entities has its own parameters that can be configured at build time (adjustable in time of code translation) or at configuration time in factory. Nevertheless only MODULE has specific parameters that are variable during operation.

#### E-meters versioning control

Due to legal constraints meter’s firmware is divided into two modules. The first is application core and the second is application module. Both entities have their own identification string and signature.

#### E-meter identification strings

Meter’s identification strings are divided into two subsets of sixteen (16) characters. First subset represents application core while second represents application module identification. The identification for both entities is organized as follows.

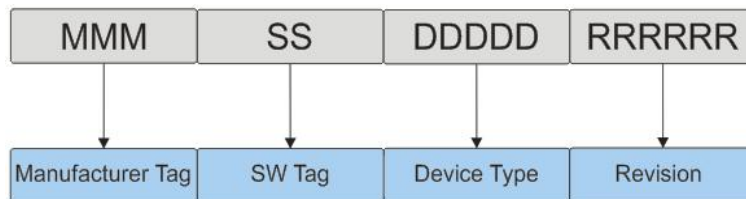


Figure 99: Identification Structure

- Manufacturer tag – ISK stands for Iskraemeco (3 characters),
- SW tag – (2 characters),
- Device type – (5 characters),
- Revision – Revision of application core or application module (6 characters).

The revision number field is organized as follows:

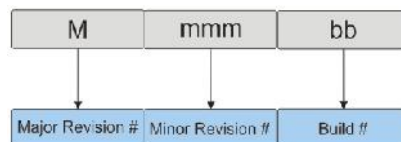


Figure 100: Revision Number Structure

Mark	Size (in characters)	Meaning
M	1	Major revision number
mmm	3	Minor revision number
bb	2	Build number

Table 66: Meaning of Revision Number Characters

### 6.11.6.2. E-meter signatures

Meter’s signatures are divided into two subsets of sixteen (16) octets. First subset represents application core while second represents application module signature. The signature is calculated via hash function implemented with MD5 algorithm (Message-Digest algorithm 5) over both modules respectively thus integrity of both modules is achieved.

#### Active FW core signature

“Firmware core signature” is used to assure integrity of the core firmware. It is calculated via hash function implemented with MD5 algorithm. The presented digest is sixteen (16) octets in size and HEX encoded.

#### Active FW module signature

“Firmware module signature” is used to assure integrity of the module firmware. It is calculated via hash function implemented with MD5 algorithm. The presented digest is sixteen (16) octets in size and HEX encoded.

## 6.12. Monitoring functions

### 6.12.1 Power quality

Power quality module enables measurements and analyzes of mains power system voltages. The basic measurements of a voltage sag and swell are the  $U_{rms}$  measurements on each phase. A voltage sag or swell threshold is a percentage of  $U_{rms}$  nominal.

The basic measurement time interval for mains supply voltage is 200 ms, which is a 10-cycle time interval for 50Hz power systems. Basic time intervals are aggregated over recording time interval (aggregation time interval), which is 10 minutes by the default.

#### 6.12.1.1. Voltage level

At the start of aggregation interval meter starts to sample phase  $U_{rms}$  voltages with basic time interval and averages them. On the end of aggregation period calculated average phase voltage is compared to defined thresholds. If the voltage depth value obtained at the end of aggregation time interval falls below the one of threshold voltages presented in the table below corresponding counter is incremented. The depth is the difference between the reference voltage (nominal phase voltage) and the average  $U_{rms}$  value measured on particular phase during the aggregation interval.

Threshold Levels	Threshold Voltages Depths	Threshold Level Counters
Level 1	$U > +10\%$	Counter 1 overvoltage
Level 2	$+5\% < U < +10\%$	Counter 2 overvoltage

Level 3	$0\% < U < +5\%$	Counter 3 overvoltage
Level 4	$-5\% < U < 0\%$	Counter 4 undervoltage
Level 5	$-10\% < U < -5\%$	Counter 5 undervoltage
Level 6	$-15\% < U > -10\%$	Counter 6 undervoltage
Level 7	$U < -15\%$	Counter 7 undervoltage

Table 67: Dip & swell detection model

During the processing of the measurement at the end of aggregation interval in case of simultaneous sags or swells corresponding phase threshold level counters and the common threshold levels counters named ANY are incremented. In case when the voltage depths measured on more phases are in the same threshold level corresponding ANY counter is incremented only by 1.

On each phase voltage is calculated every 10 minutes. Calculated is average voltage with sampling made every 200ms in 10 minute aggregation period. As a result of this calculation, appropriate level counter is incremented.

Nominal voltage (U) used in calculations is 230V. If calculated average voltage at the end of 10 min period is under, over or in the range of certain percentage (see above table), than the appropriate counter is incremented.

Example: The following Figure illustrates sampling and recording of an event: voltage sag. Figure shows voltage dip from 9<sup>th</sup> sample to 22<sup>nd</sup> sample. Average voltage of all samples is shown with straight line. Average voltage value is also used to record appropriate event: average voltage on picture is about 214 Volts, 7% sag of 230 Volts.

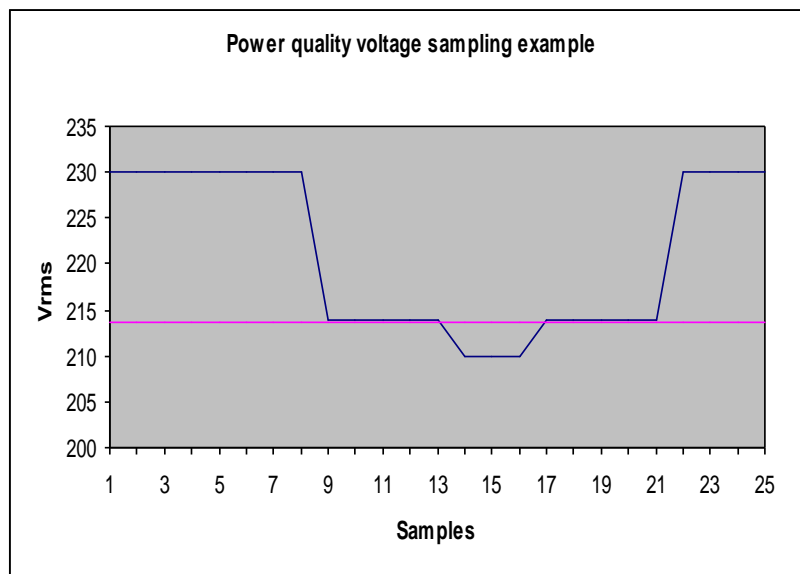


Figure 101a: Voltage sampling

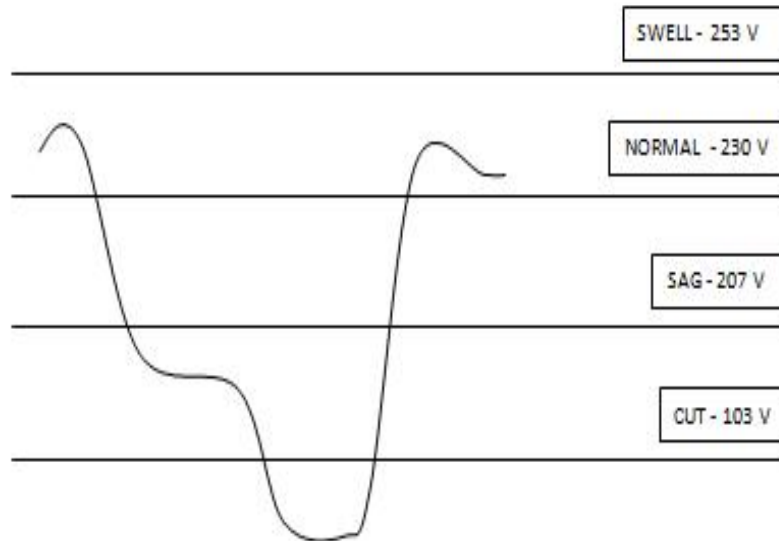


Figure 101b: Voltage sampling

#### 6.12.1.2. Voltage sag

Voltage sags are recorded when voltage drops below “Threshold for Voltage Sag” for the time set in “Time Threshold for Voltage Sag”. Also recorded in designated objects are each sag in counter objects, magnitude of voltage sags and duration of voltage sag.

All events are also recorded in “Power Quality Log” as “undervoltage” event. See Chapter 6.5.5.1.

As soon as voltage drops below value set in “Threshold for voltage sag” object for a period longer than set in “Time threshold for voltage sag” object the counter (per phase, 1-0:c.32.0, where c=32, 52 or 72) will be incremented.

#### 6.12.1.3. Voltage swell

Voltage swells are recorded when voltage rises above “Threshold for Voltage Swell” for the time set in “Time Threshold for Voltage Swell”. Also recorded in designated objects are; each swell in counter objects, magnitude of voltage swells and duration of voltage swell.

All events are also recorded in “Power Quality Log” as “overvoltage” event. See Chapter 6.5.5.1.

As soon as voltage rises above value set in “Threshold for voltage swell” object for a period longer than set in “Time threshold for voltage swell” object the counter (per phase, 1-0:c.36.0, where c=36, 56 or 76) will be incremented.

#### 6.12.1.4. Voltage cut

Voltage that drops below the “Threshold for voltage cut” for the time set in “Time threshold for voltage cut” is recorded as a “missing voltage” event.

### 6.12.1.5. Voltage daily peak and minimum

Meters measure and records daily peaks and minimums of the phase voltages and peak and minimum of the average voltage of all three phases. Measured voltage values are aggregate and average during settable aggregation period. At the end of aggregation period, measured value is compared to value stored in the current register, and if it is greater or lower than existing overwrite old value with respect to that is it peak or minimum register. At the end of the day values are copied from current registers to the previous registers and current registers are reset.

#### **Daily Peak (Minimum) Current (Previous) Voltage**

Daily peak and minimum counters are: 0-0:128.8.e

- ALL phases avg U daily peak current (e=0),
- ALL phases avg U daily peak previous (e=1),
- ALL phases avg U daily minimum current (e=2),
- ALL phases avg U daily minimum previous (e=3),
- L1 voltage daily peak current (e=10),
- L1 voltage daily peak previous (e=11),
- L1 voltage daily minimum current (e=12),
- L1 voltage daily minimum previous (e=13),
- L2 voltage daily peak current (e=20),
- L2 voltage daily peak previous (e=21),
- L2 voltage daily minimum current (e=22),
- L2 voltage daily minimum previous (e=23),
- L3 voltage daily peak current (e=30),
- L3 voltage daily peak previous (e=31),
- L3 voltage daily minimum current (e=32),
- L3 voltage daily minimum previous (e=33).

#### **Voltage Peak and Minimum Aggregation Period**

With this object aggregation period can be set. Voltage sampling is made every 200ms and after the time set in this object the average voltage value to be used in daily peak/minimum objects is calculated.

### 6.12.1.6. Voltage asymmetry

Meter measures voltages and compares them to the average voltage of all three phases. If a difference is greater than predefined threshold, then alarm bit in ALARM ON register is set. When symmetry is established back alarm bit in ALARM OFF register is set.

The level of asymmetry which triggers alarm can be defined by two thresholds, upper and lower threshold.

Period synchronization is fixed at 10 minutes. Each phase is sampled every 200ms and at the end of 10 minute period average value for each phase is calculated. All three phases are added together and split with 3 so the result is average of all three phases. This is nominal value and each phase value is then compared with this value. If deviation percentage is greater or smaller than specified, the appropriate alarm is set. The default percentage levels are:

- Asymmetrical voltages upper threshold (0-0:128.7.50): 1030 = 103 %,
- Asymmetrical voltages lower threshold (0-0:128.7.51): 970 = 97 %.

97 – 103 % is the area in which the asymmetrical voltage alarm bit is not set, but if the average phase voltage is outside +/-3% range within 10 minute period this alarm in Alarm ON status (bit 9) is set which is set for the whole 10 minute period. When average phase voltage drops back in 3% range, asymmetrical voltage alarm bit 9 in Alarm OFF status is set. These alarms are recorded in Alarm ON status and Alarm OFF status.

Both alarms can be deleted. Alarm ON can't be deleted if present voltage is outside 3% range. Alarm OFF therefore can be deleted as soon as it is set.

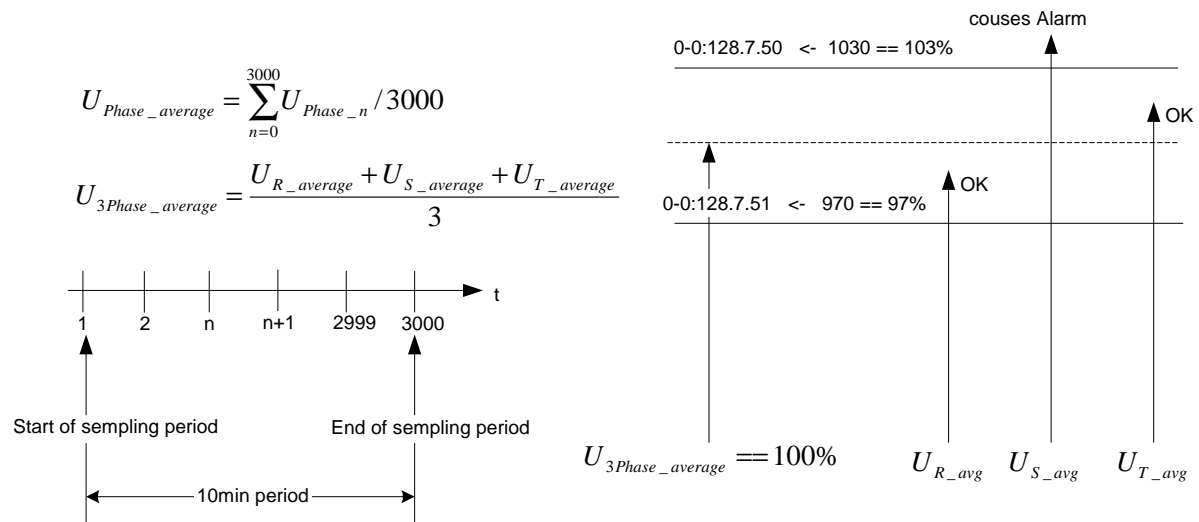


Figure 102: Voltage Asymmetry Calculation

### 6.12.1.7. Asymmetric current

In case of an asymmetrical load the sum of the currents in the system is equal to zero but currents are different in amplitude and RMS values. Detection of such condition refers to possible neutral break. If previously described criteria are fulfilled meter alarm bit 8 is set in ALARM ON register (IE alarm system).

### 6.12.1.8. Unexpected consumption

Unexpected consumption function is tied with the alarm bit 12 in Alarm status register. If all conditions are fulfilled (disconnecter (circuit breaker CB) is disconnected and power consumption is still detected by the meter), the alarm bit 12 is set.

Possible reason for the unexpected power consumption is shown on the Figure below:

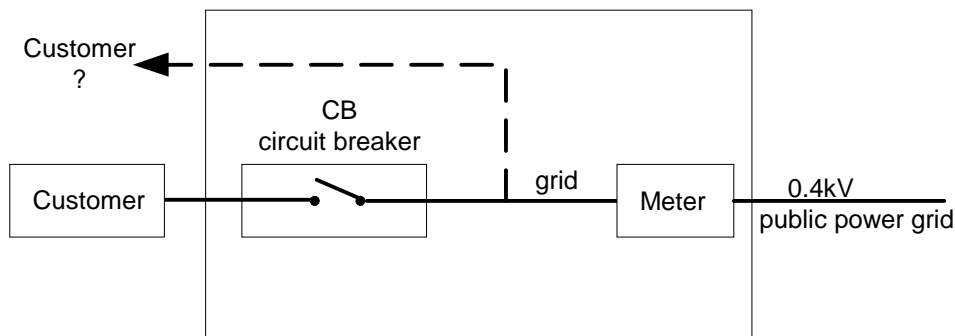


Figure 103: Unexpected consumption

### 6.12.1.9. Neutral missing detection

If neutral is missing the virtual neutral (N') is represent with T phase decreased toward zero, R and S phase increased toward interfacial voltage (Figure below).

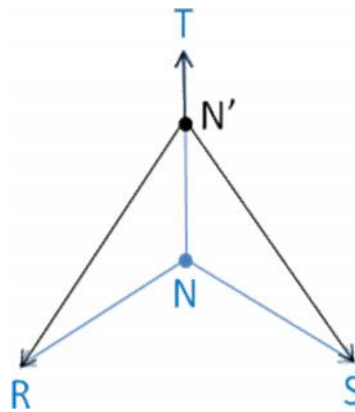


Figure 104: Intended neutral N-N'

Event "Neutral missing (89)" and system alarm "Neutral current 0" depend on the asymmetrical voltage and the deviation of the average voltage from 230V. Neutral missing event occurs if the following occurs:

- asymmetric voltage occurred (voltage on single phase differs more than 3%),
- average voltage on one phase (T) is decreased more than 30% from 230V (lower than 161V) and average voltage on any other phases (R or S) is increased more than 28% from 230V (upper than 294,4V).

### 6.12.1.10. Power failure

The following objects are registered in the meter:

- Number of power failures in all three phases and per phase,
- Number of long power failures in all three phases, in any phase and per phase,
- Time of power failure in all three phases, in any phase and per phase,
- Duration of last long power failures in all three phases, in any phase and per phase.

Duration of last long power failures objects show the duration of power failure if it is longer than time threshold set in Time threshold for long power failure.

When power fail time reaches time threshold (in seconds) for Long Power Fail set in Time threshold for long power failure register than Long Power Fail is registered, else Power Fail is registered.

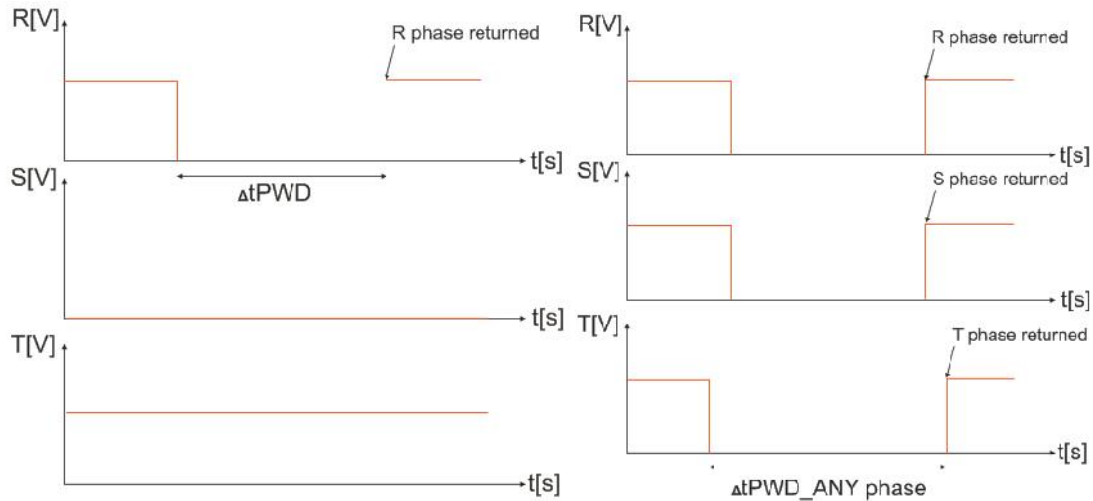


Figure 105: Power fail example

### 6.12.2 Reclosing counter

The re-closing counter represents number of the power outages shorter than re-closing time (3 minutes).

### 6.12.3 Watchdog counter

Watchdog counter represents number of watchdog events.

### 6.12.4 Cover opening counter

Cover opening counter represents number of meter and terminal cover openings.

### 6.12.5 Breaker opening counter

Breaker opening counter represents number of breaker (disconnecter) disconnections.

## 6.13. Security

The coarse partitioning of the E-Meter security is devised into:



- Physical Security,
- Logical Security.

The physical security is a traditional way of protecting e-meter from different tampering variants and unauthorized access. With increase of smart meter numbers and the rise of AMI infrastructures, the logical security was introduced in e-meters.

### 6.13.1 Physical security

Physical security is comprised of:

- Seal protection,
- Parameters switch.

#### 6.13.1.1. Seal protection

There are two different set of seal protection. First set protects terminal cover while the second protects meter cover. If seals are tampered with and either of the terminals is removed then the corresponding events are recorded in the fraud event log. In case of terminal cover open, the dedicated counter (Cover opening counter) is incremented as well. Following figure presents the Logging capabilities of two tampering processes.

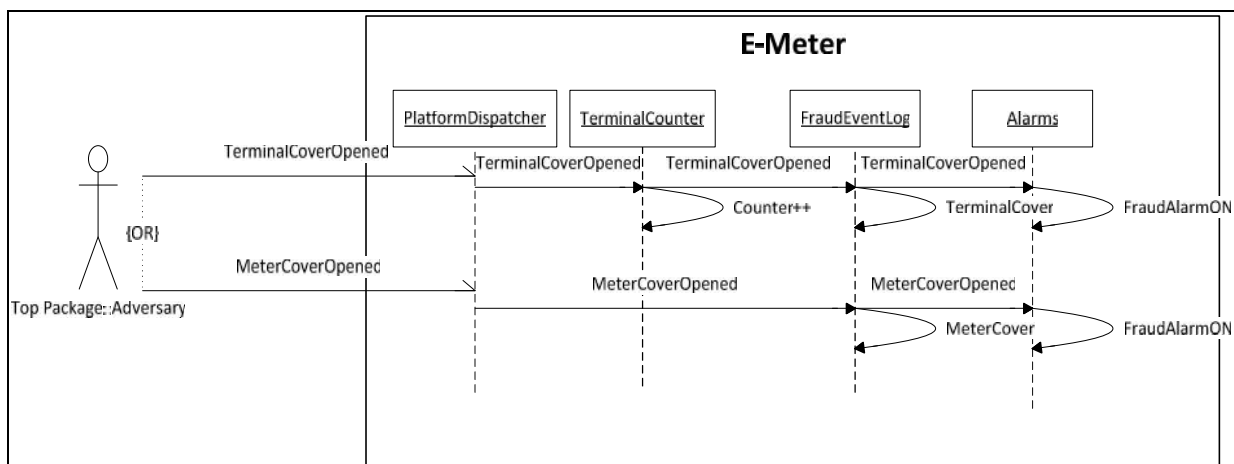


Figure 106: Meter and Terminal cover tamper logging

#### 6.13.1.2. Parameter lock switch

Its primary function is to strengthen the meter access functionality. When put in locked position, objects dedicated to factory parameterization are not accessible anymore. Furthermore certain attributes of the dedicated objects are also inaccessible even though the proper key or security method was used. The same mechanism applies for executing specific methods. Therefore Meter reset (Master reset) can only be done when the parameter switch is in unlocked position.

### 6.13.1.3. Additional COSEM objects used

According to parameter switch position, bit 8 in the register is changed. If the parameter switch is in locked position the bit will be set to 1 and if the switch is in disconnected position bit 8 will be set to 0. When the switch is not locked the protection is disabled and when the switch is in locked position the protection is enabled.

## 6.13.2 Logical security

Logical security in e-meter is divided into two separate entities:

- a) DLMS/COSEM Security,
- b) Additional Communication Security.

### 6.13.2.1. Overview of the cryptographic methods

The cryptographic components provide the security services of confidentiality, data integrity, authentication, authorization and non-repudiation (a service that provides proof of the integrity and origin of data). Two basic components on which cryptography relies upon are: an algorithm (or cryptographic methodology) and a key. The algorithm is a mathematical function, and the key is a parameter used in the transformation.

Basic types of approved cryptographic algorithms are:

- cryptographic hash functions,
- symmetric key algorithms,
- asymmetric key algorithms.

#### **Hash functions**

Hash functions produce short representation of a longer message. A good hash function is a one-way function. It is easy to compute the hash value from the particular input while backing up the process is extremely difficult.

Hash functions take an input of arbitrary length and always output a fixed length value. Therefore the alternative name for hash functions is message digest.

Message M1 is run through a hash function and a fixed message digest H1 is produced and transferred along with the original message.

#### **Symmetric key algorithms**

Symmetric key algorithms (often called secret key algorithms) use a single key to both apply the protection and to remove or check the protection. For example, the key used to encrypt data is also used to decrypt the encrypted data. This key must be kept secret if the data is to retain its cryptographic protection. Symmetric algorithms are used to provide:

- confidentiality via encryption,
- an assurance of authenticity or integrity via authentication,
- mechanism to instantiate key establishment.

There are several approved algorithms for encryption and decryption of data chunks. Every algorithm converts data to be protected (called plaintext) via security context (keys and other security context) into ciphered text. The reverse procedure is also possible as shown in the figure below.

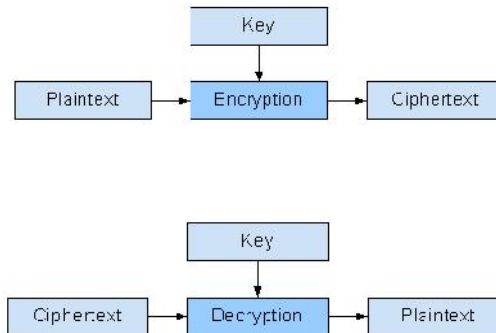


Figure 107: Encryption and decryption procedure

Currently for a forementioned procedures Advanced Encryption Standard (AES) is used. AES encrypts and decrypts data in 128-bit blocks, using 128, 192 or 256 bit keys. All three key sizes are adequate.

Message authentication code works similar as ordinary hash function with one enhancement. Additionally the secret material (secret key) is used in message digesting.

### 6.13.2.2. DLMS/COSEM security

Confidentiality and integrity are among the key requirements when open systems connect to public media. With the increase of computational power, the requirements for strong cryptographic methods also increase. DLMS/COSEM provides two main information security features for accessing and transporting data:

- **data access security** controls access to the data held by a DLMS/COSEM server,
- **data transport security** allows the sending party to apply cryptographic protection to the xDLMS APDUs to ensure confidentiality and integrity. This requires ciphered APDUs.

The information is given partly at the beginning of the application association establishment with two services:

- **applicationcontext**,
- **authenticationcontext** (the level of data access security),

and partly by COSEM objects which define access to specific attributes.

#### Data access security

Data access security is managed by the Association LN object. Each COSEM server i.e. a logical device may support Application Associations with various clients, each having a different role, and with this, different access rights. Each Association object provides a list of objects visible in that particular Application Association and also the access rights to objects' attributes and methods.

To be able to access data, the client must be properly authenticated. Upon Application Association establishment, an authentication context is negotiated between the client and the server. This specifies the required authentication of the peers, and, where needed, the security algorithm to verify the authentication. Three data access security levels are provided:

- Lowest level security (no security),
- Low Level Security (LLS),

- High Level Security (HLS).



For effective use of functionalities, meter must be properly configured.

E-meter supports three different clients with three different behaviors regarding authentication minimal requirements, as shown in following table:

Client name	Client L-SAP	Minimal Security Requirements
Public	16	Lowest level security (no security)
Management	1	HLS (LLS as a backup)
Pre-established	102	No HLS nor LLS

Table 68: Set of supported clients

### Authentication procedures

For every security level different authentication procedures are required. Authentication context and specifically the COSEM Authentication Mechanism Name are presented in following table:

Authentication Mechanism Name	ID
COSEM lowest level security mechanism name	0
COSEM low level security mechanism name	1
COSEM high level security mechanism name using MD5	3
COSEM high level security mechanism name using SHA-1	4
COSEM high level security mechanism name using GMAC	5

Table 69: Supported authentication mechanism names

The **Lowest level security** authentication context does not require any peer authentication. It allows direct access to the data in the server, within the access rights available in the given Application Association.

Authentication mechanism name is therefore not present in Application Association Request.

The purpose of **Low Level Security (LLS)** is to allow the authentication of clients by verifying the password supplied. The server is not authenticated. The client has to supply the correct password during the process of Application Association establishment. If the password is Accepted, the Application Association is established and the client can access data within the access rights available in the given Application Association. Otherwise, the Application Association is not established.

The purpose of **High Level Security (HLS)** is to allow mutual authentication of the client and the server participating in an association.

This is a 4-pass process, involving the exchange of challenges during Application Association establishment, which is followed by exchanging the results of processing these challenges, using cryptographic methods. If the authentication takes place, the client can proceed to access data within the access rights available in the given Application Association, and it accepts data coming from the server. Otherwise, the Application Association is not established. When the number of unauthorized accesses (Authentication Failure Count) is bigger than predefined limit (Authentication Failure Count Limit), the meter logs a respective event and rejects every subsequent application request for a

predefined amount of time (60 s). With this mechanism the risk of brute force attacks is mitigated. The last unauthorized access is timestamped (Authentication Failure Stamp).

**Additional COSEM objects used**

According to secure meter communication it is possible to access the e-meter only with Application Association which is currently active in the e-meter. If user wants to access the e-meter with different Application Association, new authentication mechanism name has to be written in the currently active Application Association's "Authentication mechanism name" attribute ("Authentication mechanism id") of the "Current association" object (0-0:40.0.0.255). The e-meter can now be accessed with the new Application Association.

Setting mechanism ID to 0 means that access is allowed with every mechanism ID set in the Application Association Request (password, SHA-1, MD5 or GMAC).

**Data transport security**

Data transport security relies on applying cryptographic protection to xDLMS APDUs. This is achieved via several security mechanisms. The first mechanism is incorporated in application association request with two application service elements:

- The COSEM application context,
- User information filled with Initiate Request primitive.

**ASEs involved in security**

The table below shows Different application context names and the relation between those names and allowed types of xDLMS APDUs. Ciphred APDUs are allowed only in Application context name with ciphering.

Application Context Name	ID	Unciphred APDUs	Ciphred APDUs
Logical Name Referencing no ciphering	1	Yes	No
Short Name Referencing no ciphering	2	Yes	No
Logical Name Referencing with ciphering	3	Yes	Yes
Short Name Referencing with ciphering	4	Yes	Yes

Table 70: Application context names

**Security context**

The second mechanism is called the security context. The security context defines security attributes relevant for the data transport security process of ciphering/deciphering. The elements are:

- Security policy (determining what kind of protection to be used),
- Security suite (specifying the security algorithm),
- Security material relevant for the given security suite:
  - Encryption keys,
  - Authentication keys,
  - Initialization vectors (comprised of System title and current frame counter).

First two bullets are described in and held by the Security Setup COSEM object.

**Security policy**

The following security policies are specified and allowed:

- Security is not imposed (0),
- All messages to be authenticated (1),
- All messages to be encrypted (2),
- All messages to be authenticated and encrypted (3).

Authenticated xDLMS APDUs may be used – within a ciphered application context – even when the security policy in effect does not require that all messages must be authenticated. Messages protected by higher security than what the security policy requires are always allowed (provided that the application context negotiated allows them).

**Security suite**

A security suite determines the cryptographic algorithm used for message security. A security suite is identified with a Security Suite ID. Security suite (0) utilizes the Galois/Counter Mode (GCM) with AES-128. In this security suite, global keys are protected during transportation using the AES-128 key wrap algorithm.

<b>Security Suite Id</b>	<b>Authentication algorithm</b>	<b>Encryption algorithm</b>	<b>Key transport method</b>
0	AES-GCM-128	AES-GCM-128	Key wrapping using AES-128 key wrap

Table 71: Security suite

**6.13.2.3. Additional communication security**

There are several Iskraemeco’s add-ons to DLMS/COSEM security. Firstly “DLMS channel options” object for every channel on which COSEM server is present is introduced in order to cater different market requirements.

**DLMS channel options**

With this object different settings can be introduced and technology shortcomings can be solved. Option values are:

- 0 – All options are disabled,
- 1 – Ignore HDLC service class (need to be set for those e-meters that have external modem communicating with uC via HDLC),
- 2 – Security replay attack prevention (frame counter checking),
- 4 – Association Establishment with AARQ/AARE and Association Release follows diction in Green Book.

**DLMS association restrictions**

With this object different associations can be prohibited on the same server. One can disable public, management, pre-established or combination of those Application Associations by writing proper value in this COSEM object.

**Certification log**

Certification log monitors specific objects and logs their old and new values. When the communication log is full, the new attempts to change monitored objects are denied. More can be read at the certification data log description.

**6.13.2.4. Secure storage**

Secure storage is a reserved space in FRAM which is cryptographically protected. In secure storage e-meter stores all the necessary global encryption, authentication and master keys.

The cryptographic protection relies on AES-XTS Block Cipher Mode. The main characteristics of this mode are:

- Provide security for storage data at rest (not in transit),
- Tweakable block cipher encryption mode (“non-malleable”),
- Usage of two keys (in process of encryption/decryption) derived from cryptographic salt and hidden passwords.

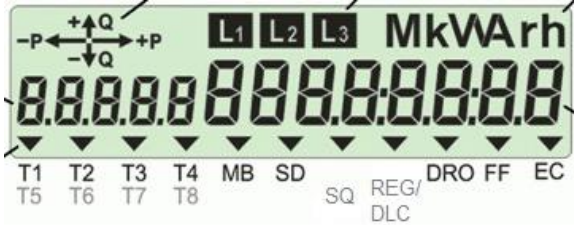
## 7. Technical characteristics

### 7.1. ME382 meter

<b>Reference voltage</b>	
Indirect connection	230 V
Direct connection	230 V
Reference frequency	50 Hz $\pm$ 2 %
<b>Currents (A)</b>	
<b>Direct connection</b>	
Reference current	5 A
Maximal current	85 A
Thermal current	120% I <sub>max</sub>
Short circuit current	half cycle at rated frequency, 30 x I <sub>max</sub>
Start up current	<0.4 % of reference current
<b>Accuracy class</b>	
<b>Direct connection</b>	
Active energy	A or B (EN 50470 - 3) Class 2 or 1 (IEC 62053-21)
Reactive energy	Class 3 or 2 (IEC 62053-23)
Apparent energy	Calibrated up to 3%
<b>Outputs</b>	
<b>Type - OPTO-MOS relay (Auxiliary control switch)</b>	
Contact	Make or break contact
Permitted load	100 mA
Voltage	250V AC
Pulse length	From 1 ms to 200 ms (adjustable in steps by 1 ms)
Transmission distance	Up to 1000m
<b>Type – Relay (Load control switch)</b>	
Voltage	250 V AC
Switching voltage	250V AC
Maximum switching current	6A
Switching power	1500VA
<b>Inputs</b>	
<b>Alarm input</b>	
Voltage level	100 – 240 V AC
<b>Potential-free key</b>	
Voltage level	No voltage
<b>Self consumption</b>	
<b>Self consumption of current circuit</b>	0.03 VA
<b>Self consumption</b>	1.5 W / 3.7 VA



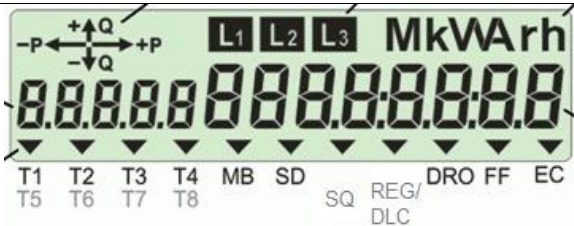
<b>of voltage circuits</b>	
	2.1 W / 4.8 VA (GSM communication established)
<b>Communication</b>	
Port 0	Infra red optical interface (IEC 62056-21 or IEC62056-46)
Port 1	In-house device wired interface (IEC62056-21)
Port 2	M-Bus wired interface for multiutility (EN 13757)
Port 3	GSM/GPRS communication interface
<b>LED output</b>	
Type	LED – red
Number	2, function kWh/kvarh, kWh/kVA – programmable
Impulse frequency	≤ 2.5 kHz
Impulse length	30 ms
Constant	Programmable
<b>Real time clock</b>	
Accuracy	Crystal: < 5 ppm = ≤ ±3 min./year (at Top= +25°C)
Back-up power supply	Super-Cap: > 7 days, charging time 250 hours Two Super-Cap: > 20 days, charging time 250 hours (optional)
<b>EMC</b>	
Electrostatic discharge	Contact 8kV, air 15 kV (IEC 61000-4-2)
VF magnetic field (80MHz – 2 GHz)	20 V/m active and 40 V/m passive (IEC 61000-4-3)
Transient test	
- Current and voltage circuit not under load	6 kV (IEC 61000-4-4)
- Auxiliary circuits > 40 V	2 kV
Surge test	
- Current and voltage circuits	4 kV (IEC 61000-4-5)
- Auxiliary circuits > 40 V	1 kV
Insulation strength	4 kV <sub>rms</sub> , 50 Hz, 1 min
Impulse voltage	
- Current and voltage circuits	12 kV voltage circuit, 6kV other 1.2/50 μs (EN 50407-1)
- Auxiliary circuits	6 kV, 1.2/50 μs (EN 50407-1)
Radio interference suppression	Class B (EN 50022)
Immunity to conducted disturbances	20 V (EN 61000-4-6)
Glow wire test	IEC 695-2-1
Spring hammer test	IEC 60068-2-75
<b>Temperature ranges (IEC 62052-11)</b>	
Operation	-40°C ... +70°C
LCD operation	-25°C ... +70°C

Storing	-40°C ... +85°C
<b>Temperature coefficient (IEC 62052-11)</b>	
Range	-40°C ... +70°C      less than ± 0.015% / K
<b>Ingress protection IEC 60529</b>	IP 54
<b>Protection class IEC 62052-11</b>	<input type="checkbox"/> Double isolation
<b>Liquid Crystal Display</b>	 <p>Number of digits for OBIS code: 5 Index digit size: 3 x 6 mm</p> <p>Number of digits for value: 8 Index digit size: 4 x 8 mm</p>
<b>Climatic conditions</b>	
Type of meter	Indoor meter
Humidity	> 95%
Altitude	2000m
<b>Mechanical conditions</b>	Meter passed all mechanical tests like schock and vibration tests
<b>Terminals (diameter)</b>	
<b>Direct connected meter with 85A terminal block</b>	
Diameter	8.5 mm
Tightening torque	Max. 2,5 Nm
<b>Mechanical environment</b>	M1
<b>Electromagnetic environment</b>	E2
<b>Climatic class</b>	3K7
<b>Dimensions</b>	200 x 132 x 82 mm3 (ME382, long terminal cover) 157 x 132 x 82 mm3 (ME382, short terminal cover)
<b>Mass</b>	
ME382-D1	Approx. 0.82 kg
ME382-D3	Approx. 0.87 kg

## 7.2. MT382 meter

<b>Reference voltage</b>	
Indirect connection	3 x 230/400 V
Direct connection	3 x 230/400 V
Reference frequency	50 Hz $\pm$ 2 %
<b>Currents (A)</b>	
<b>Indirect connection</b>	
Rated current	5 A
Maximal current	6 A
Thermal current	120% I <sub>max</sub>
Short circuit current	0,5 sec 20 x I <sub>max</sub>
Start up current	<0.2% of rated current
<b>Direct connection</b>	
Reference current	5 A, 10 A
Maximal current	85 A, 120 A
Thermal current	120% I <sub>max</sub>
Short circuit current	half cycle at rated frequency, 30 x I <sub>max</sub>
Start up current	<0.4 % of reference current
<b>Accuracy class</b>	
<b>Indirect connection</b>	
Active energy	B (EN 50470 - 3) Class 1 (IEC 62053-21)
Reactive energy	Class 2 (IEC 62053-23)
Apparent energy	Calibrated up to 3%
<b>Direct connection</b>	
Active energy	A or B (EN 50470 - 3) Class 2 or 1 (IEC 62053-21)
Reactive energy	Class 3 or 2 (IEC 62053-23)
Apparent energy	Calibrated up to 3%
<b>Outputs</b>	
<b>Type - OPTO-MOS relay (Auxiliary control switch)</b>	
Contact	Make or break contact
Permitted load	100 mA
Voltage	250V AC
Pulse length	From 1 ms to 200 ms (adjustable in steps by 1 ms)
Transmission distance	Up to 1000m
<b>Type – Relay (Load control switch)</b>	
Voltage	250 V AC
Switching voltage	250V AC
Maximum switching current	6A
Switching power	1500VA

<b>Inputs</b>	
<b>Alarm input</b>	
Voltage level	100 – 240 V AC
<b>Potential-free key</b>	
Voltage level	No voltage
<b>Self consumption</b>	
<b>Self consumption of current circuit</b>	Indirect connection 0.12 VA / phase Direct connection 0.005 VA / phase
<b>Self consumption of voltage circuits</b>	0.9 W / 2.3 VA
	1.2 W / 2.9 VA (GSM communication established)
<b>Communication</b>	
Port 0	Infra red optical interface (IEC 62056-21 or IEC62056-46)
Port 1	In-house device wired interface (IEC62056-21)
Port 2	M-Bus wired interface for multiutility (EN 13757)
Port 3	GSM/GPRS communication interface
<b>LED output</b>	
Type	LED – red
Number	2, function kWh/kvarh, kWh/kVA – programmable
Impulse frequency	≤ 2.5 kHz
Impulse length	30 ms
Constant	Programmable
<b>Real time clock</b>	
Accuracy	Crystal: < 5 ppm = ≤ ±3 min./year (at Top= +25°C)
Back-up power supply	Super-Cap: > 7 days, charging time 250 hours Two Super-Cap: > 20 days, charging time 250 hours (optional)
<b>EMC</b>	
Electrostatic discharge	Contact 8kV, air 15 kV (IEC 61000-4-2)
VF magnetic field (80MHz – 2 GHz)	20 V/m active and 40 V/m passive (IEC 61000-4-3)
Transient test	
- Current and voltage circuit not under load	5 kV (IEC 61000-4-4)
- Auxiliary circuits > 40 V	2 kV
Surge test	
- Current and voltage circuits	4 kV (IEC 61000-4-5)
- Auxiliary circuits > 40 V	1 kV
Insulation strength	4 kV <sub>rms</sub> , 50 Hz, 1 min
Impulse voltage	
- Current and voltage circuits	12 kV voltage circuit, 6kV other 1.2/50 μs (EN 50407-1)
- Auxiliary circuits	6 kV, 1.2/50 μs (EN 50407-1)
Radio interference suppression	Class B (EN 50022)

Immunity to conducted disturbances	20 V (EN 61000-4-6)
Immunity to damped oscillatory waves (Indirect connection)	2.5 kV (common mode) (EN 61000-4-18 slow damped) 1 kV (differential mode)
Glow wire test	IEC 695-2-1
Spring hammer test	IEC 60068-2-75
<b>Temperature ranges (IEC 62052-11)</b>	
Operation	-40°C ... +70°C
LCD operation	-25°C ... +70°C
Storing	-40°C ... +85°C
<b>Temperature coefficient (IEC 62052-11)</b>	
Range	-40°C ... +70°C less than ± 0.015% / K
<b>Ingress protection IEC 60529</b>	IP 54
<b>Protection class IEC 62052-11</b>	<input type="checkbox"/> Double insulation
<b>Liquid Crystal Display</b>	 <p>Number of digits for OBIS code: 5 Index digit size: 3 x 6 mm</p> <p>Number of digits for value: 8 Index digit size: 4 x 8 mm</p>
<b>Climatic conditions</b>	
Type of meter	Indoor meter
Humidity	> 95%
Altitude	2000m
<b>Mechanical conditions</b>	Meter passed all mechanical tests like schock and vibration tests
<b>Terminals (diameter)</b>	
<b>Indirect connected meter</b>	
Diameter	5 mm
Tightening torque	Max. 1 Nm
<b>Direct connected meter with 85A terminal block</b>	

Diameter	8.5 mm
Tightening torque	Max. 2,5 Nm
<b>Direct connected meter with 120A terminal block</b>	
Diameter	9.5 mm
Tightening torque	Max. 2,5 Nm
<b>Mechanical environment</b>	M1
<b>Electromagnetic environment</b>	E2
<b>Climatic class</b>	3K7
<b>Dimensions</b>	250 x 178 x 86 mm <sup>3</sup> (long terminal cover) 193 x 178 x 86 mm <sup>3</sup> (short terminal cover) 310 x 178 x 108 mm <sup>3</sup> (meter with disconnecter)
<b>Mass</b>	
MT382-D2	Approx. 1.37 kg
MT382-D2 with disconnecter	Approx. 2,13 kg
MT382-T1	Approx. 1,30 kg

---

Owing to periodically improvements of our products the supplied products can differ in some details from data stated in this user manual.

Iskraemeco d.d., Energy Measurement and Management  
 4000 Kranj, Savska loka 4, Slovenia  
 Telephone (+386 4) 206 40 00, Fax: (+386 4) 206 43 76  
<http://www.iskraemeco.si>, E-mail: [info@iskraemeco.si](mailto:info@iskraemeco.si)  
 Published: Iskraemeco, Marketing, Data subjected to alteration without notice.

Mx382\_User\_manual\_eng\_V1.00.doc