

INTASOL COMBI DIVERTER VALVE

Introduction

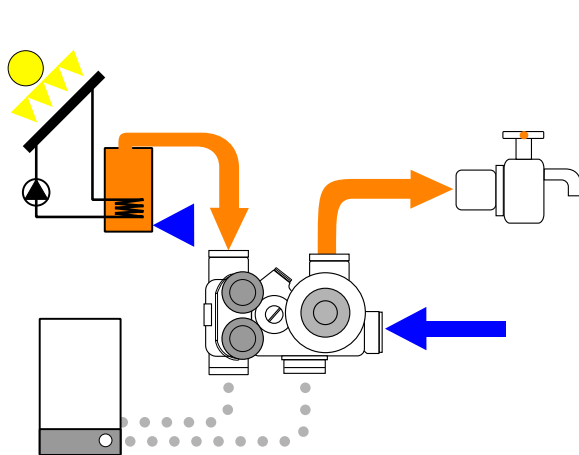
The intasol combi diverter valve enables solar heated unvented hot water cylinders to be linked with a combi boiler. In the event the hot water temperature in the cylinder dips below a usable temperature, the valve diverts this water to the combi boiler treating it as a pre-heat. The valve then blends hot water produced by the combi boiler or the cylinder with cold water from the mains to deliver water at a safe, usable temperature for the end user.



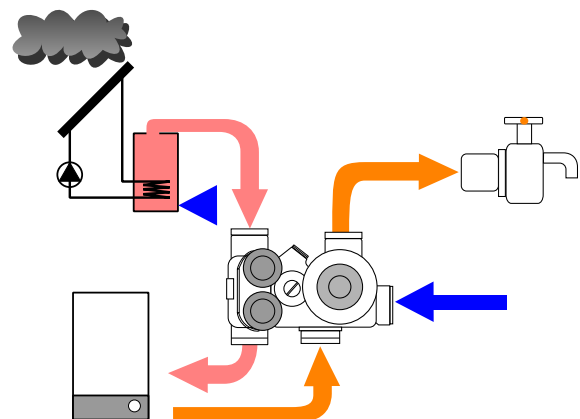
- Links a solar heated unvented cylinder to a combi boiler
- WRAS approved
- Diverts to hot water from the combi boiler in the event of low cylinder temperatures
- Maximises the use of solar heated water in the cylinder
- Provides safe blended hot water to the end user
- Maximum static pressure 10 bar
- Maximum dynamic pressure 5 bar
- Temperature adjustment range 35 - 55°C
- Temperature stability $\pm 2^{\circ}\text{C}$
- Maximum inlet temperature 110°C
- Minimum flow rate for stable operation 6 l/min

Product Range

Description	Code
intasol combi diverter valve	555CSD1



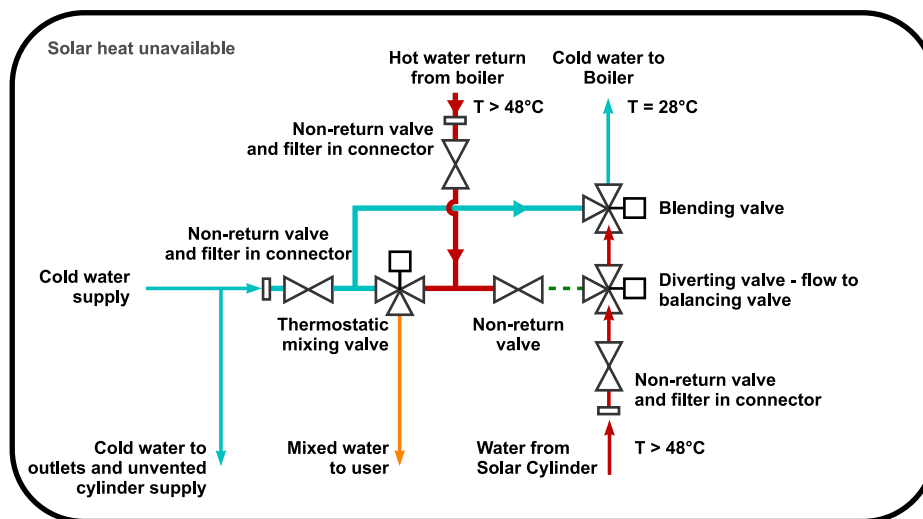
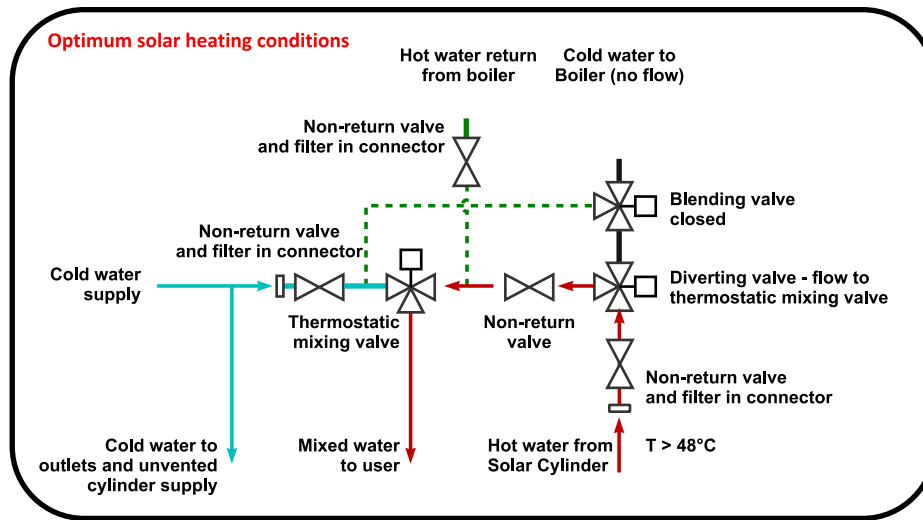
DHW from solar heated cylinder



DHW diverted through combi boiler

INTASOL COMBI DIVERTER VALVE

Installation schematic



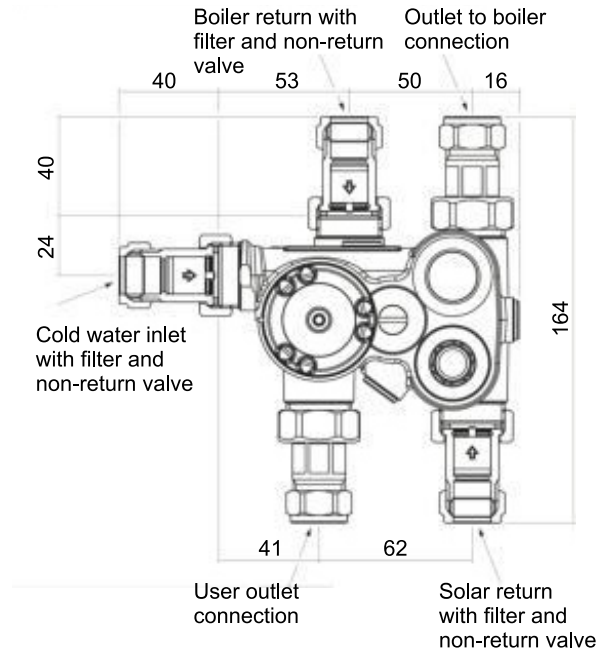
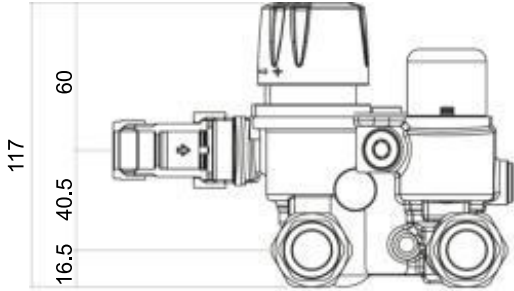
Inactive Hot water Cold water Blended water

Technical specification

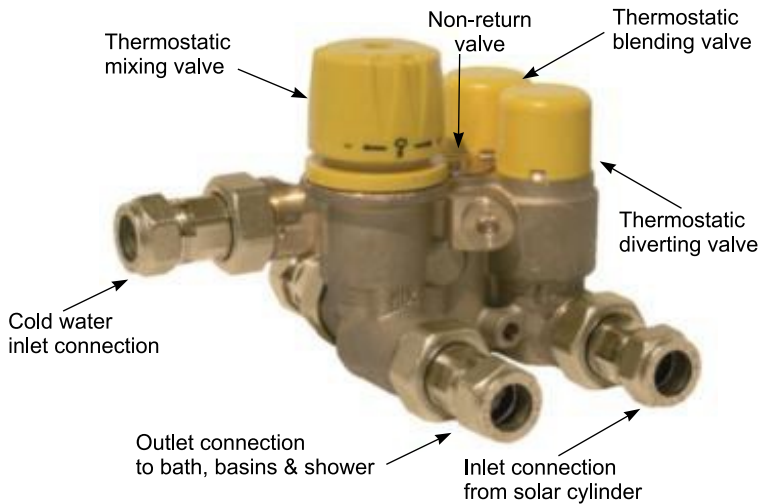
Connections	15mm compression for copper tube
Body	DZR copper alloy BS EN 12164 CW602N
Max. Working Pressure	10 bar (static), 5 bar (dynamic)
Temperature Adjustment Range	35-55°C
Max. Inlet Temperature	100°C
Max. Pressure Differential	2:1
Minimum Temp Differential	10°C
Minimum flow rate	6 l/min to achieve stable operation
Diverter set temperature	48°C
Blending valve set temperature	28°C

INTASOL COMBI DIVERTER VALVE

Dimensions



Connections



Reverse view

