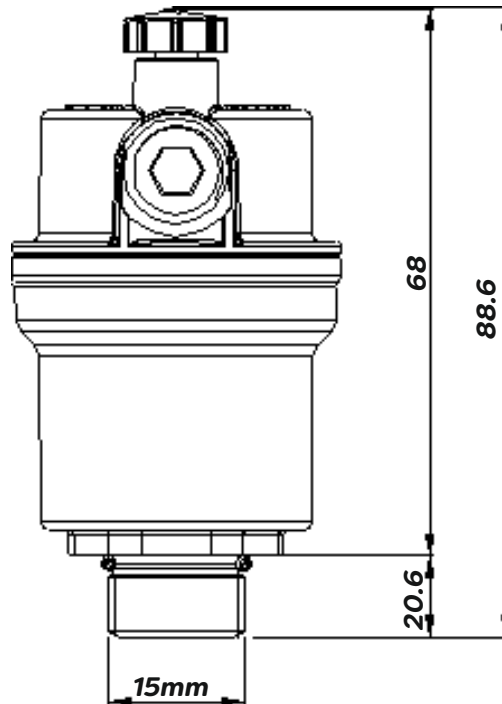


Product

AAV07911500B - 15mm All Brass Automatic Air Vent

Technical Specification

Max Inlet Pressure (static):	10 Bar
Min Discharge Pressure:	6 Bar
Max Inlet Temperature:	115°C
Fluid Type:	Water Water / Glycol (30%) Mix



Additional Information

Automatically discharges air build up

Solid brass construction

Eliminates noisy system pipework

Decreases unnecessary wear on system components

Optimises system efficiency

Quick release isolation valve available