

# Instruction Manual

## Fixings provided:

- 2 x L Brackets
- 8 x Screws for L Brackets
- 1 x Lid
- 4 x Screws for Lid
- 2 or 4 x Wall Screws
- 2 or 4 x Wall Plugs
- 2 x Keys (if bought with locks)

## Warning:

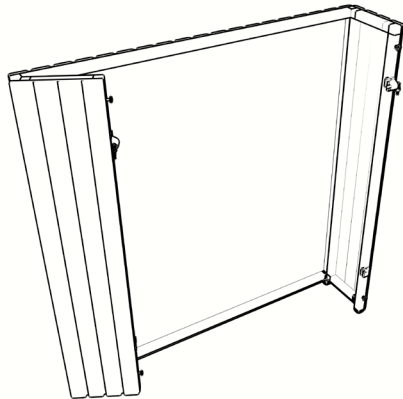
*Depending on the configuration of your cover, the Hook Plates for hanging the cover and/or Locks may arrive loose. Fix these into their corresponding holes as seen in images 3 & 5.*

If you require assistance, contact us at:

+44 (0) 3335776610

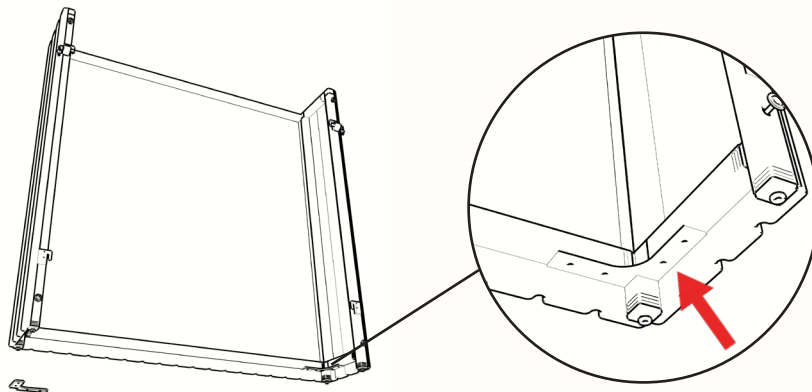
[support@embracerenewables.com](mailto:support@embracerenewables.com)

1



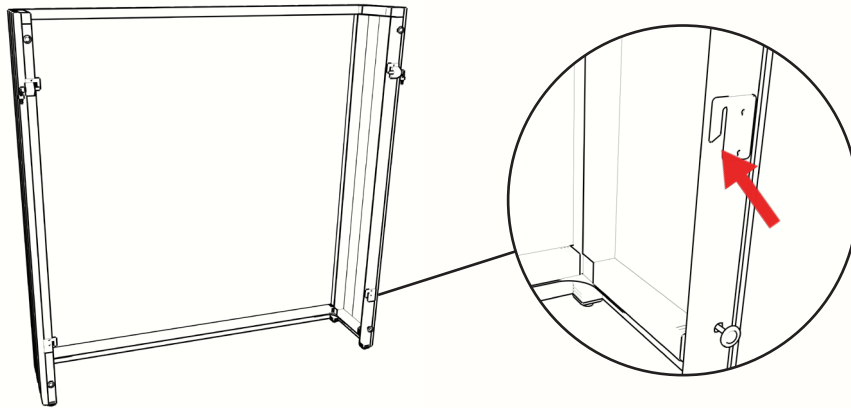
Fold out both hinged side panels until they sit at 90 degrees. Ensure the cladding on the side panels sit on top of the cladding on the front when fully opened, creating a tight, uniform edge.

2



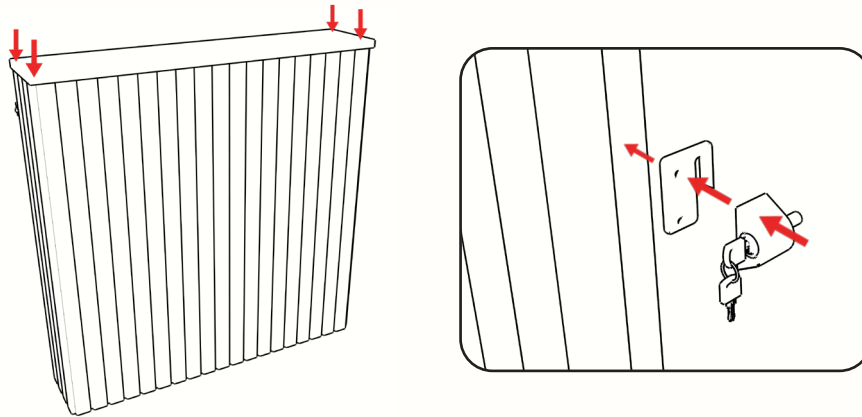
Screw the L brackets into their corresponding holes on the bottom of the frame. If you are laying the cover on the floor, place the foam packaging underneath to avoid damage.

3



Fix the wall screws into the wall using the plugs. The screws should align with the hook plate slots as seen in the image, allowing the hook plates to slot over the screws. Allow the wall screws to protrude by 25-40mm, depending on desired ventilation gapping. This can be adjusted later if needed.

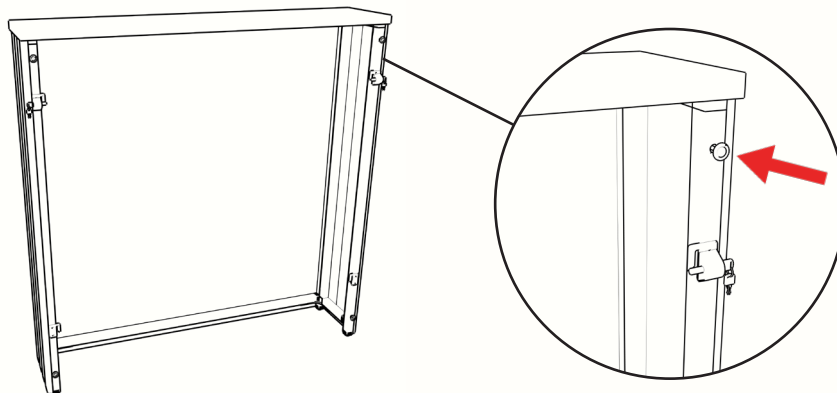
4



Screw the lid into the four plastic corners on the top of the frame. There are pre-drilled holes situated in the four corners of the lid. Ensure the lid is facing the right way, you should be able to see black plastic for each screw to fix into.

If you have purchased locks (as seen in the image), these will bolt underneath the wall screws when locked, ensuring the cover cannot be lifted off it's hook plates. If loose, fix the locks through the hook plates into their corresponding holes in the frame using their screws. The hooks should be facing inside the frame.

5



Once you have placed the cover onto the wall using the hook plates, use the adjustable spacers to contact the wall. These can be adjusted when more or less ventilation is desired. The feet can also be adjusted for levelling off the floor.