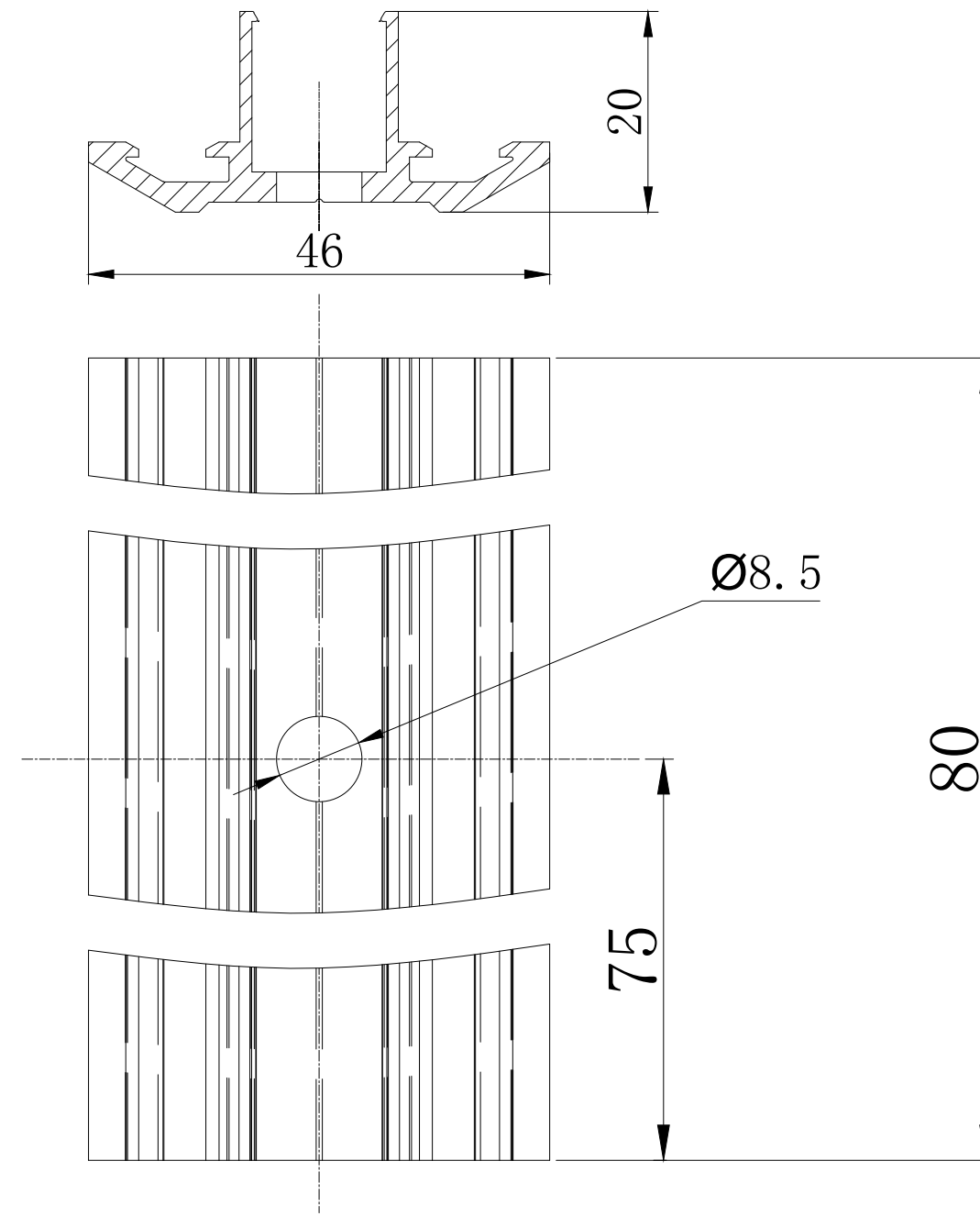
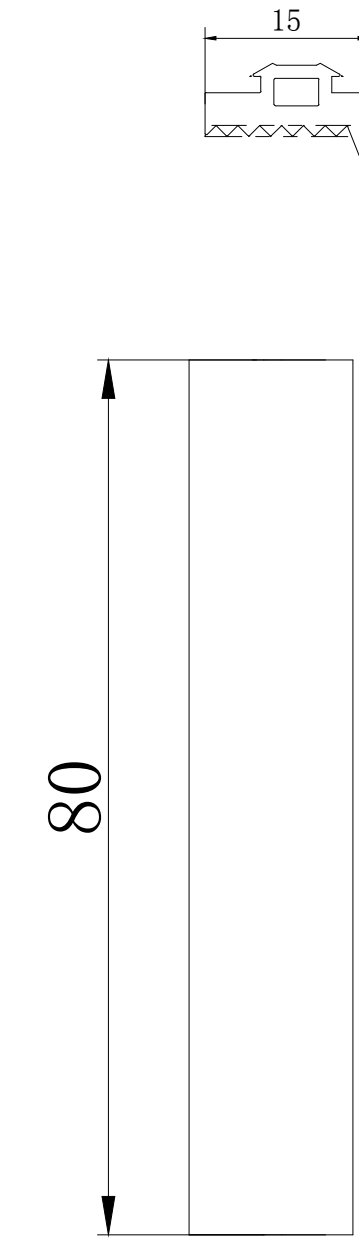


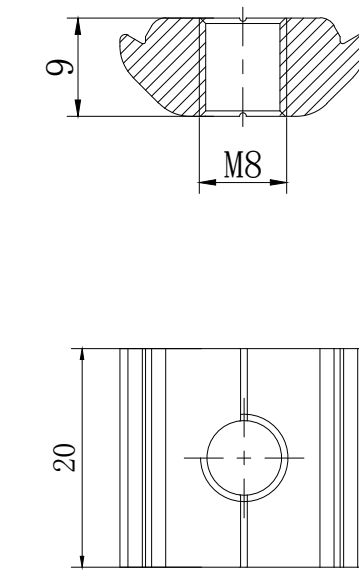
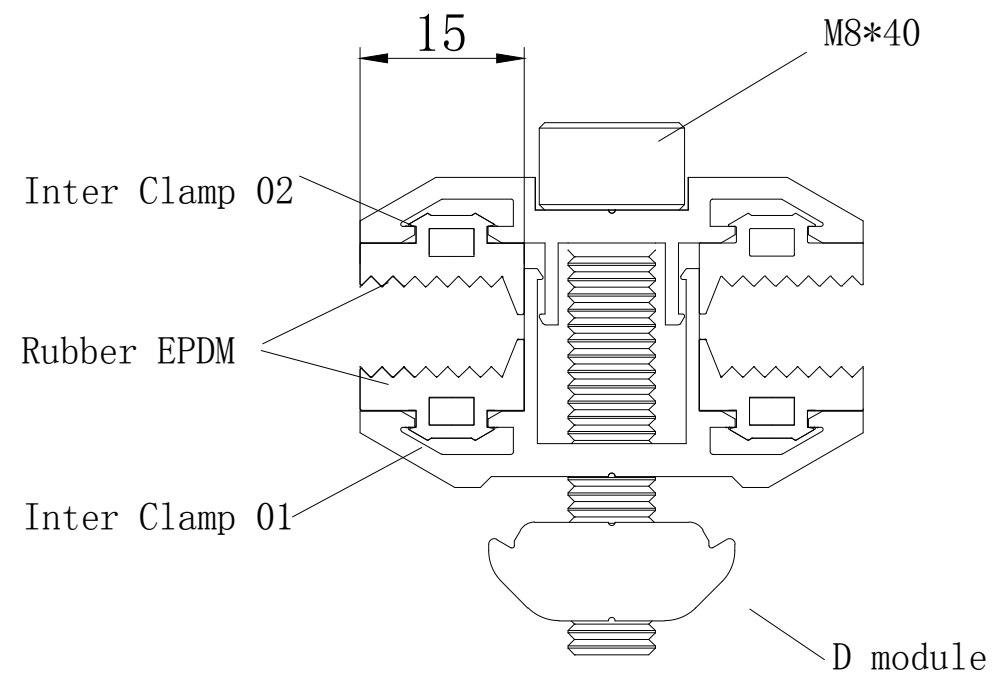
Inter Clamp 02



Inter Clamp 01



Rubber EPDM



D module

Dimensions are in mm.				MATERIAL:	
TOLERANCE UNLESS OTHERWISE SPECIFIED				Weight:	
				SCALE: 1:1	
Angle: ±1°				Name	
				Date	
				Drawn	
				Checked	
				Approved	
Rev	Description	Date	INT		



Part Name:

GS-IC-L80

Part No:

Dwg No:

Rev: 1.0