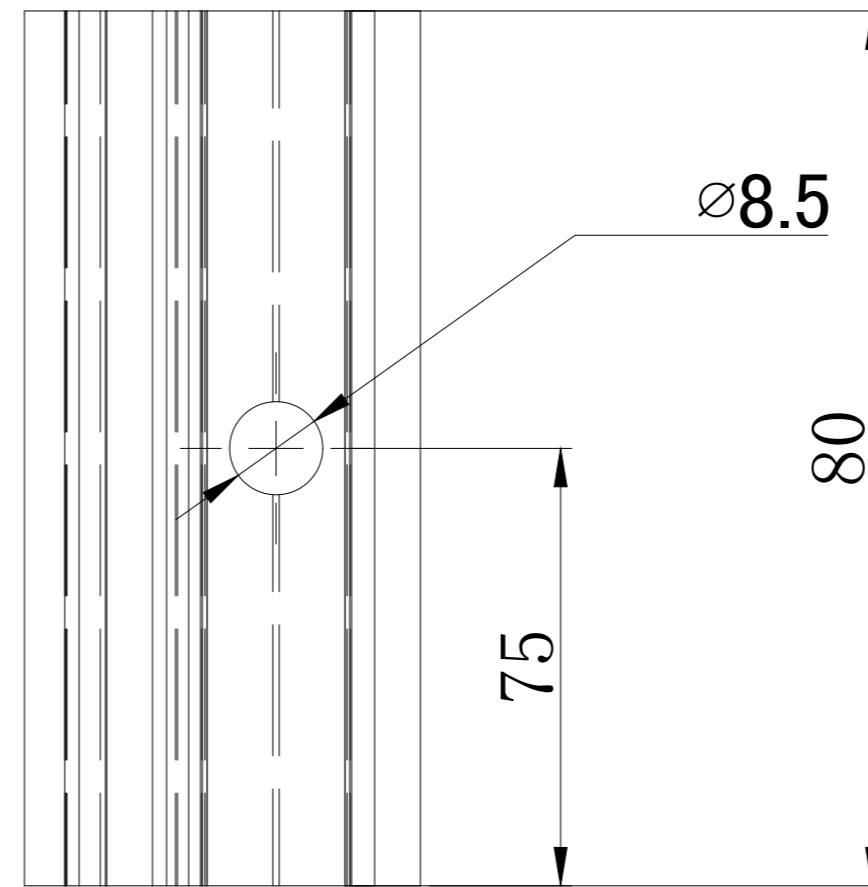
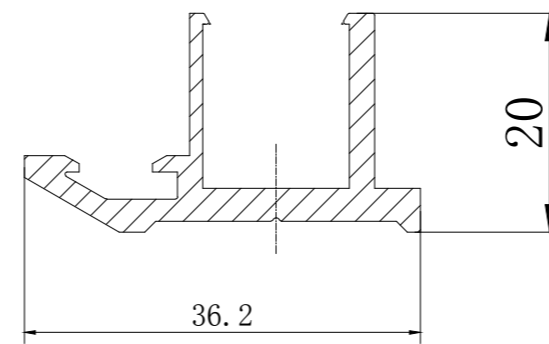
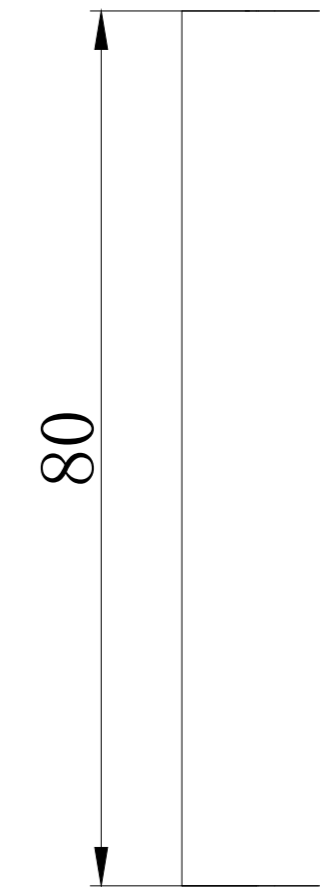
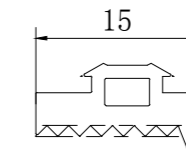


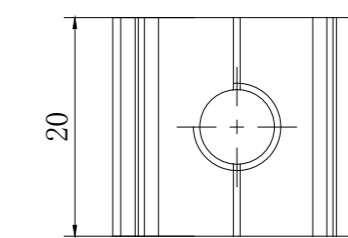
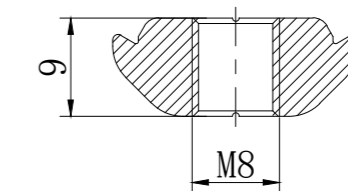
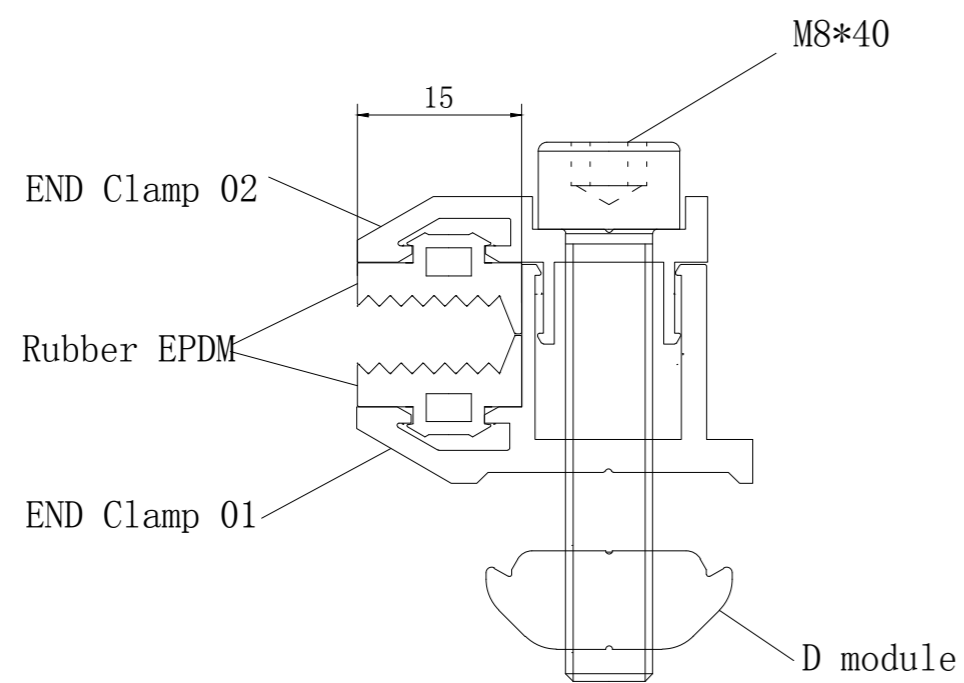
END Clamp 02



END Clamp 01



Rubber EPDM



D module

Dimensions are in mm.  
TOLERANCE UNLESS OTHERWISE SPECIFIED

MATERIAL:

Weight:

SCALE: 1:1

Name Date

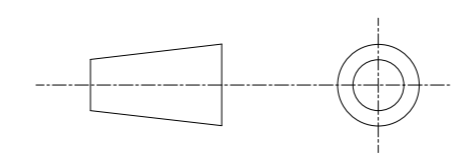
Angle: ±1°

Drawn

Checked

Approved

Rev	Description	Date	INT



Part Name:

GS-EC-L80

Part No:

Dwg No:

Rev: 1.0