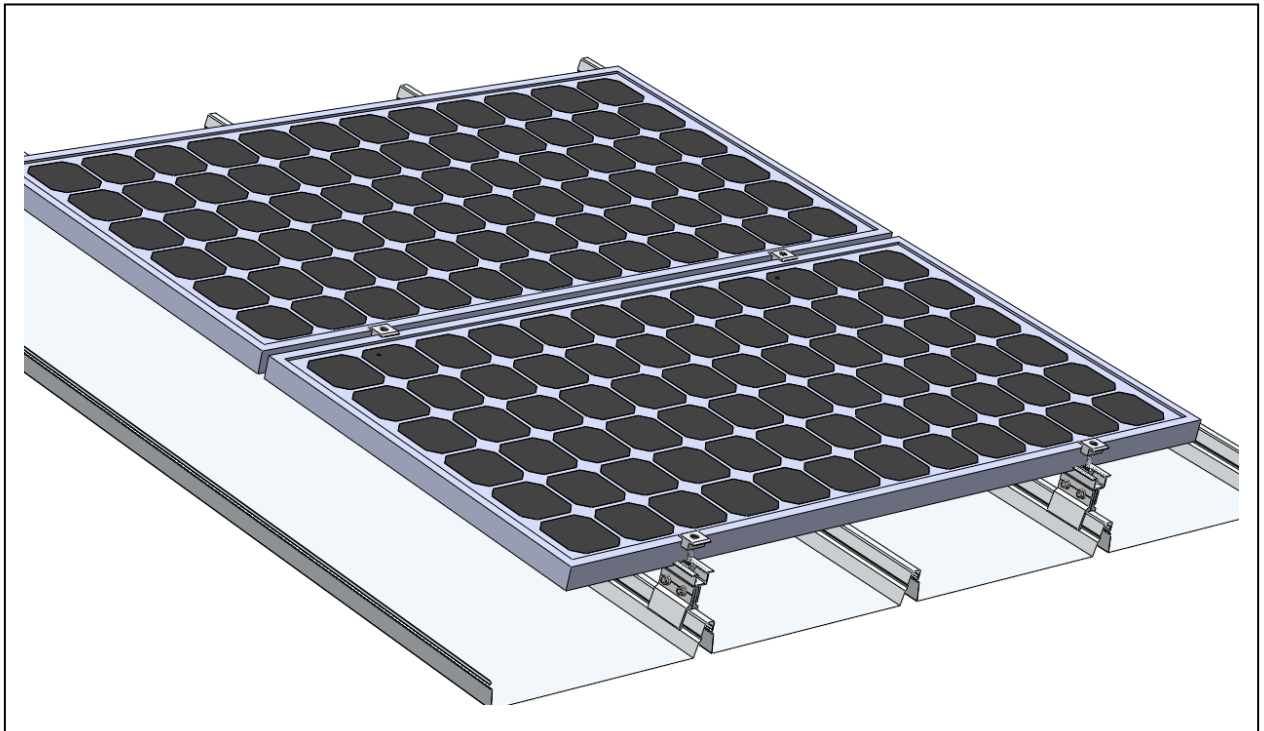




## GS Stand-Seam Roof Hook Installation Guide



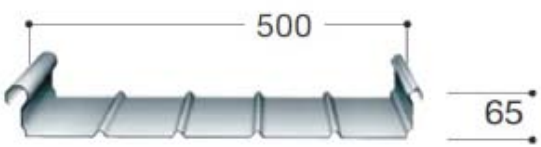

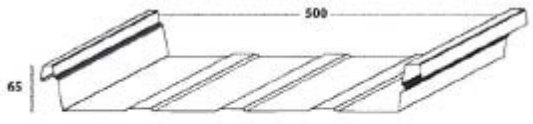








Grace Solar have been developed several kinds of hooks for the difference stand-seam roofs, such as Butler roof, the Kal-Zip-Bemo roof, the Zambelli RibRoof Speed 500 and the Klip-Lok 700 Roof. The easily install structure is your best choice.



## 1. Planning

Please according to the roof type choose the roof hook.

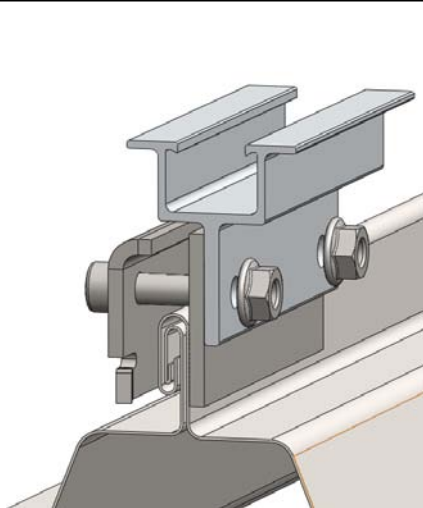
 <p><b>Butler-roof</b></p>	 <p>GS-IK-S01</p>
 <p><b>KalZip-roof</b></p>	 <p>GS-IK-S04</p>
 <p><b>Zambelli Rib Roof Speed 500</b></p>	 <p>GS-IK-S02</p>
 <p><b>Klip-lok 700</b></p>	 <p>GS-IK-S02-A</p>
<p><b>Zambelli Rib Roof Speed 500</b></p>	 <p>GS-IK-S03</p>
<p><b>Klip-lok 700</b></p>	 <p>GS-IK-S03-A</p>
<p><b>Klip-lok 700</b></p>	 <p>GS-IK-SK7</p>
<p><b>Klip-lok 700</b></p>	 <p>GS-IK-SK7-A</p>



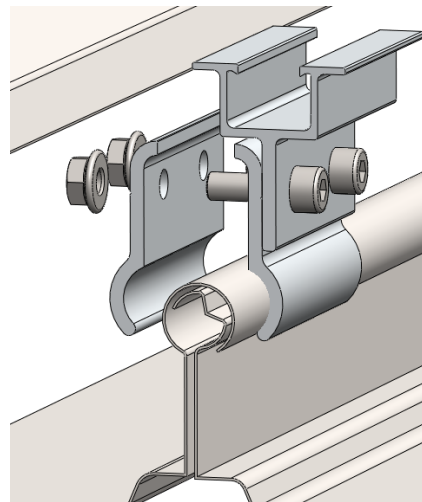
## 2. Installation

### 2.1 Install the Roof Hook

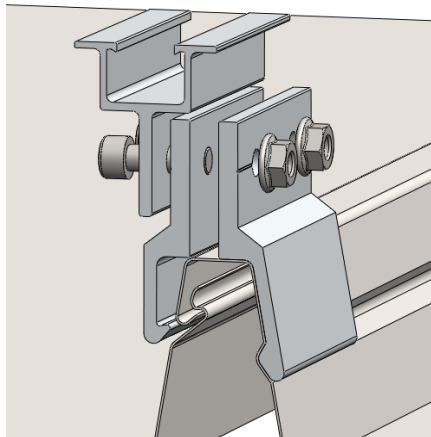
According to the roof type to choice the roof hook. On the planning point, loose the Socket Head Bolt M8x35 to open the hook, then insert into the Stand-Seam. Finally, Adjust the spacing and fasten the Bolt M8x35.



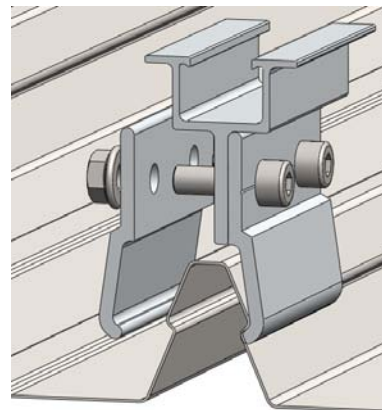
Butter Roof



Kal-Zip Roof



Zambelli Rib Roof Speed 500

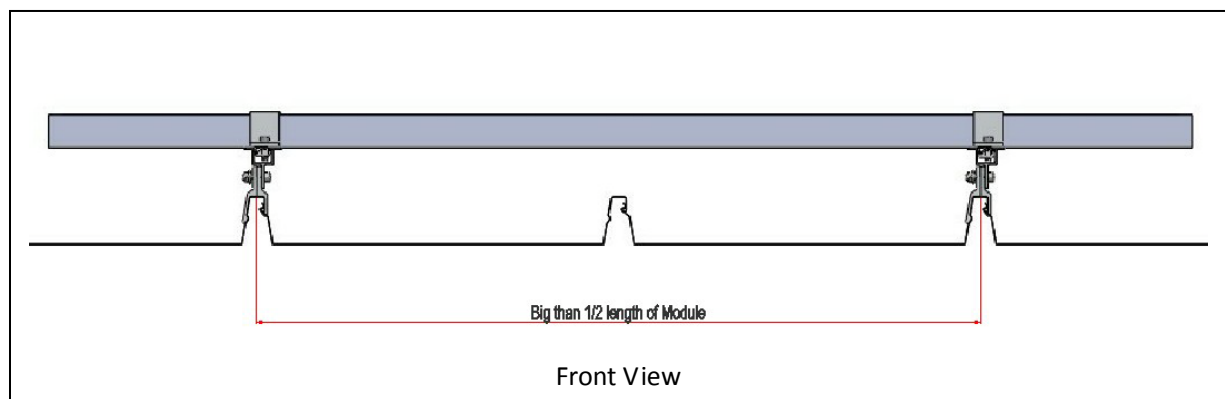
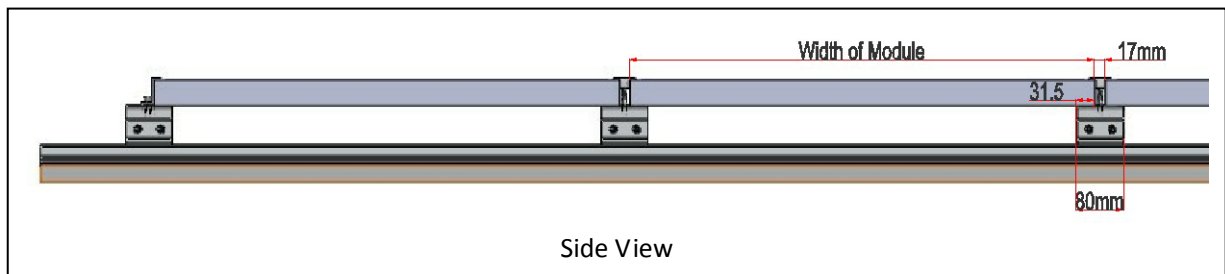
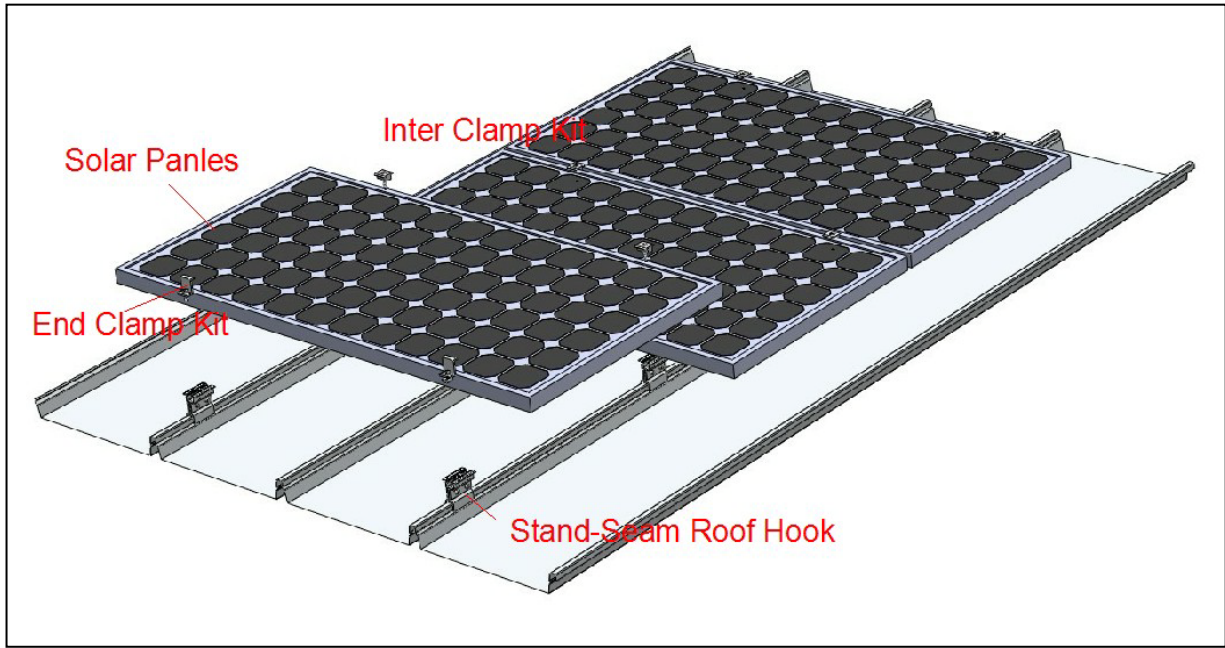


Klip-Lok 700



## 2.2 non-rail installation

the GS-IK-S04, GS-IK-S02-A, GS-IK-S03-A and GS-IK-SK7-A, which length is 80mm or 110mm, is suitable for the non-rail installation. please look at the installation example of the GS-IK-S03-A





## 2.3 installation for GR-IK-S01&S02&S03&Sk7

GS-IK-S01&S02&S03&Sk7 can be the base for other support components, such as triangle bracket, the adjustable tilt system and the Rail, etc. Please look at the installation example of the GS-IK-SK7.

