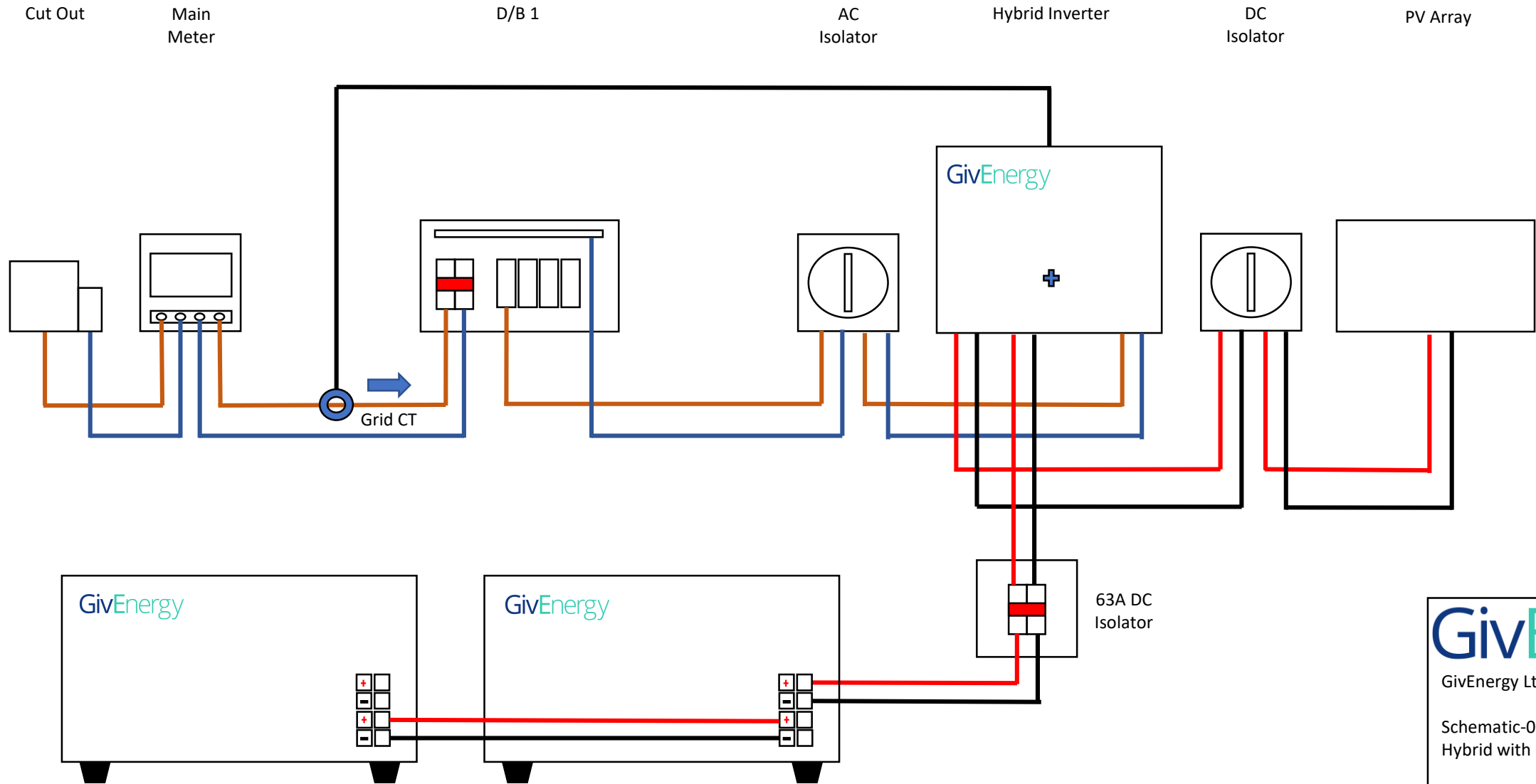


# Schematic-00 Hybrid with CT



**GivEnergy**

GivEnergy Ltd

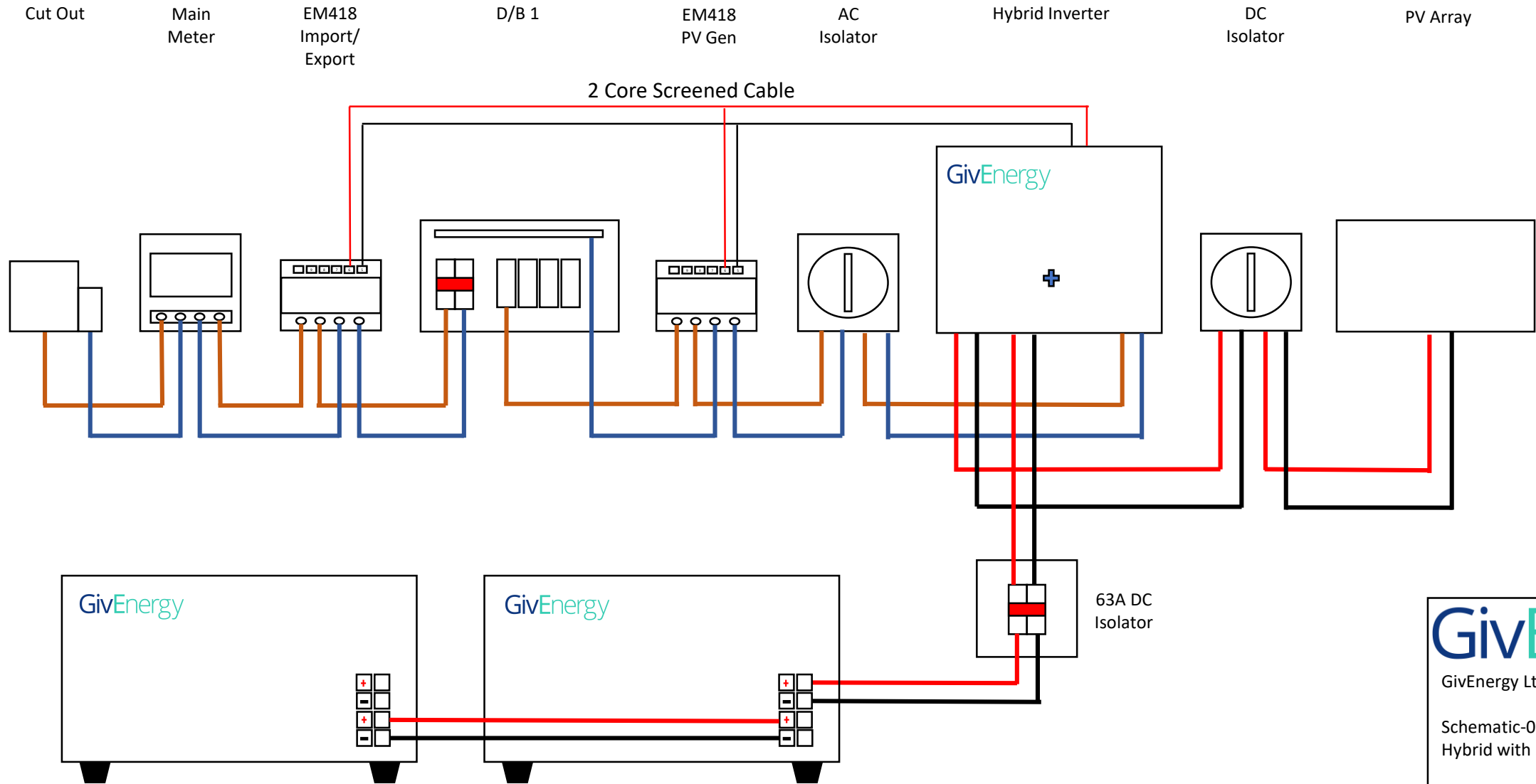
Schematic-00  
Hybrid with CT

Date issued: 24-09-2019

Produced By: Dan Lambert

# Schematic-01

## Hybrid with 2 x EM418



GivEnergy Ltd

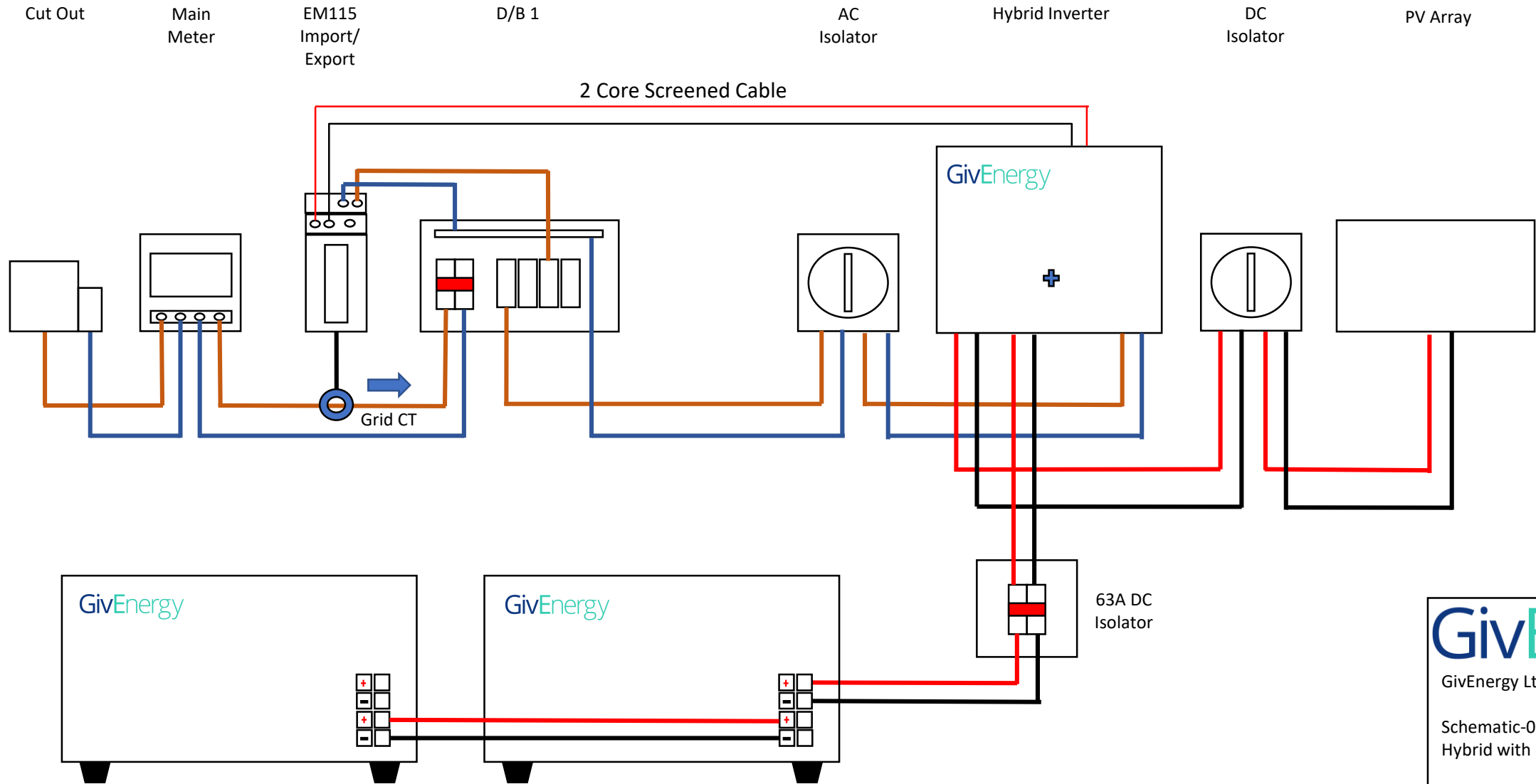
Schematic-01  
Hybrid with 2 x EM418

Date issued: 24-09-2019

Produced By: Dan Lambert

# Schematic-02

## Hybrid with 1 x EM115



GivEnergy Ltd

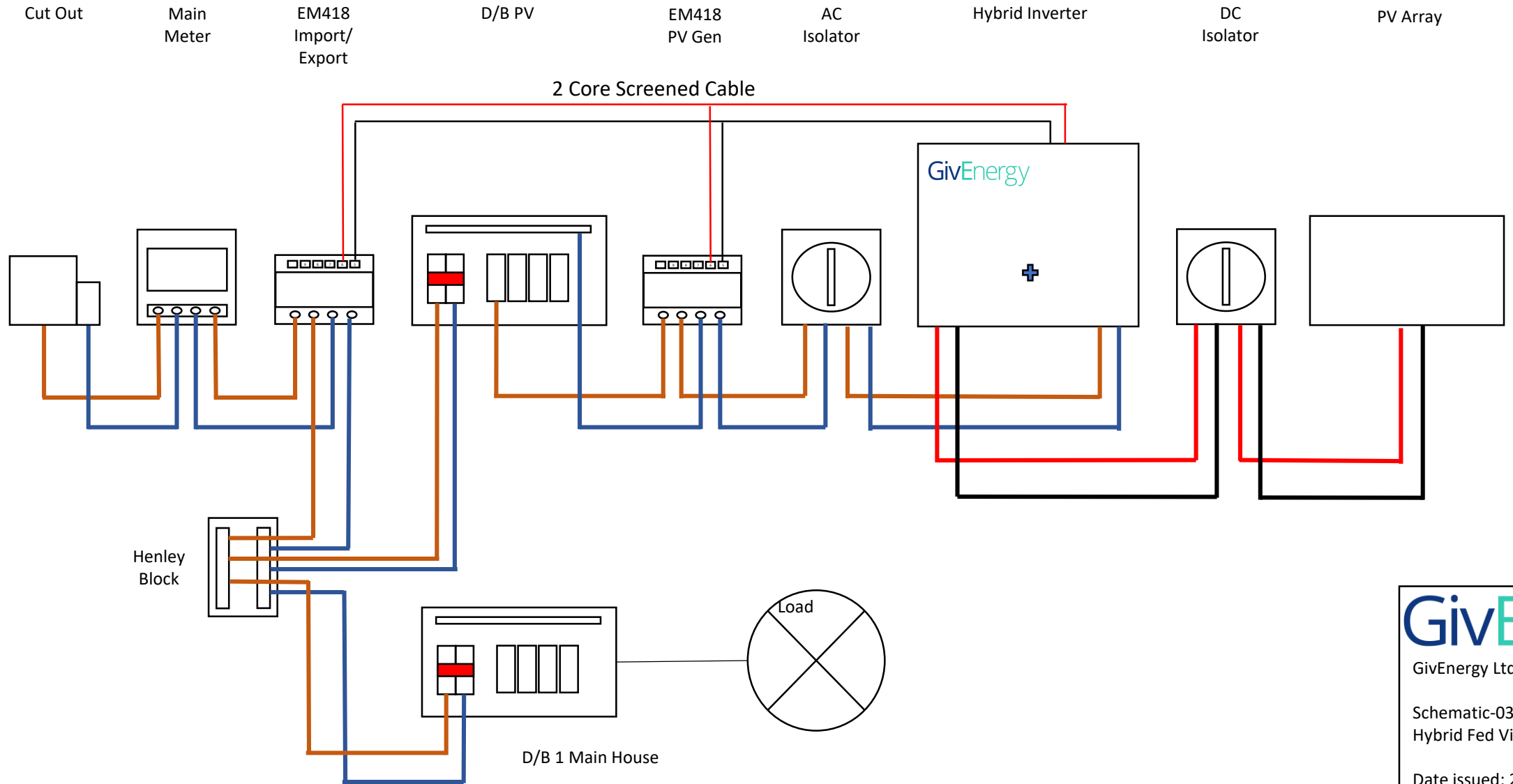
Schematic-02  
Hybrid with 1 x EM115

Date issued: 24-09-2019

Produced By: Dan Lambert

# Schematic-03

## Hybrid Fed Via Henley Block



**GivEnergy**

GivEnergy Ltd

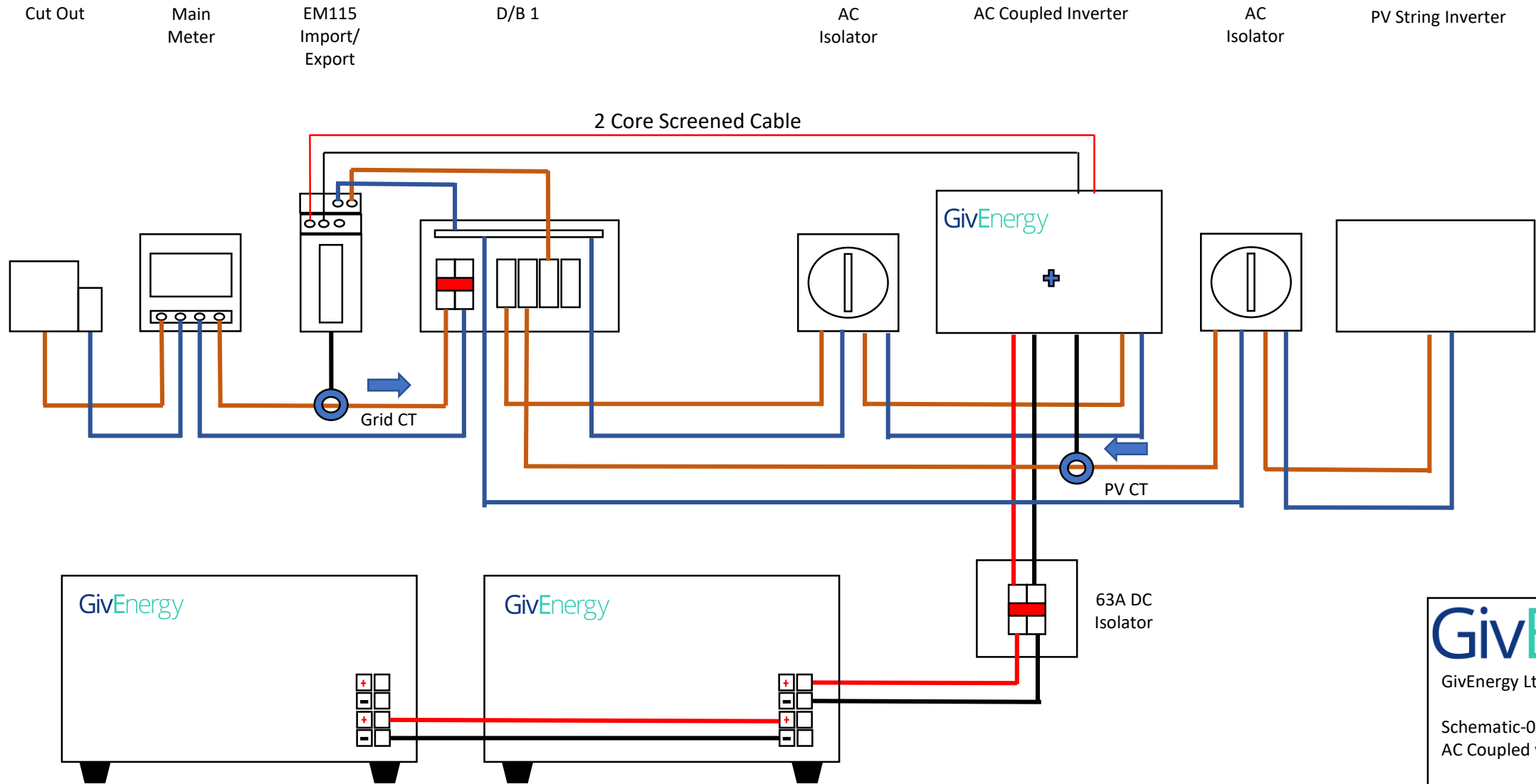
Schematic-03  
Hybrid Fed Via Henley Block

Date issued: 24-09-2019

Produced By: Dan Lambert

# Schematic-04

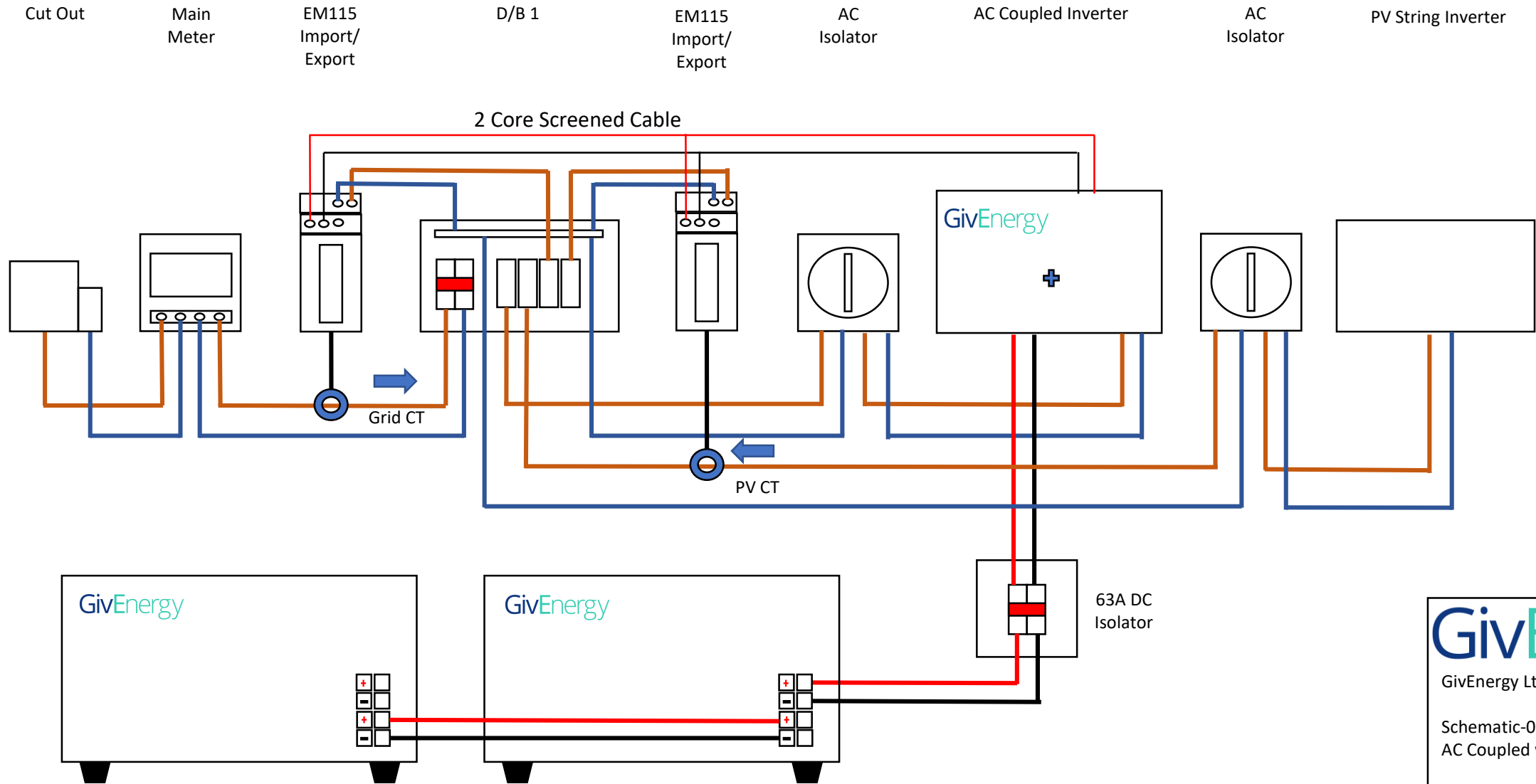
## AC Coupled with 1 x EM115



GivEnergy Ltd  
Schematic-04  
AC Coupled with 1 x EM115  
Date issued: 24-09-2019  
Produced By: Dan Lambert

# Schematic-05

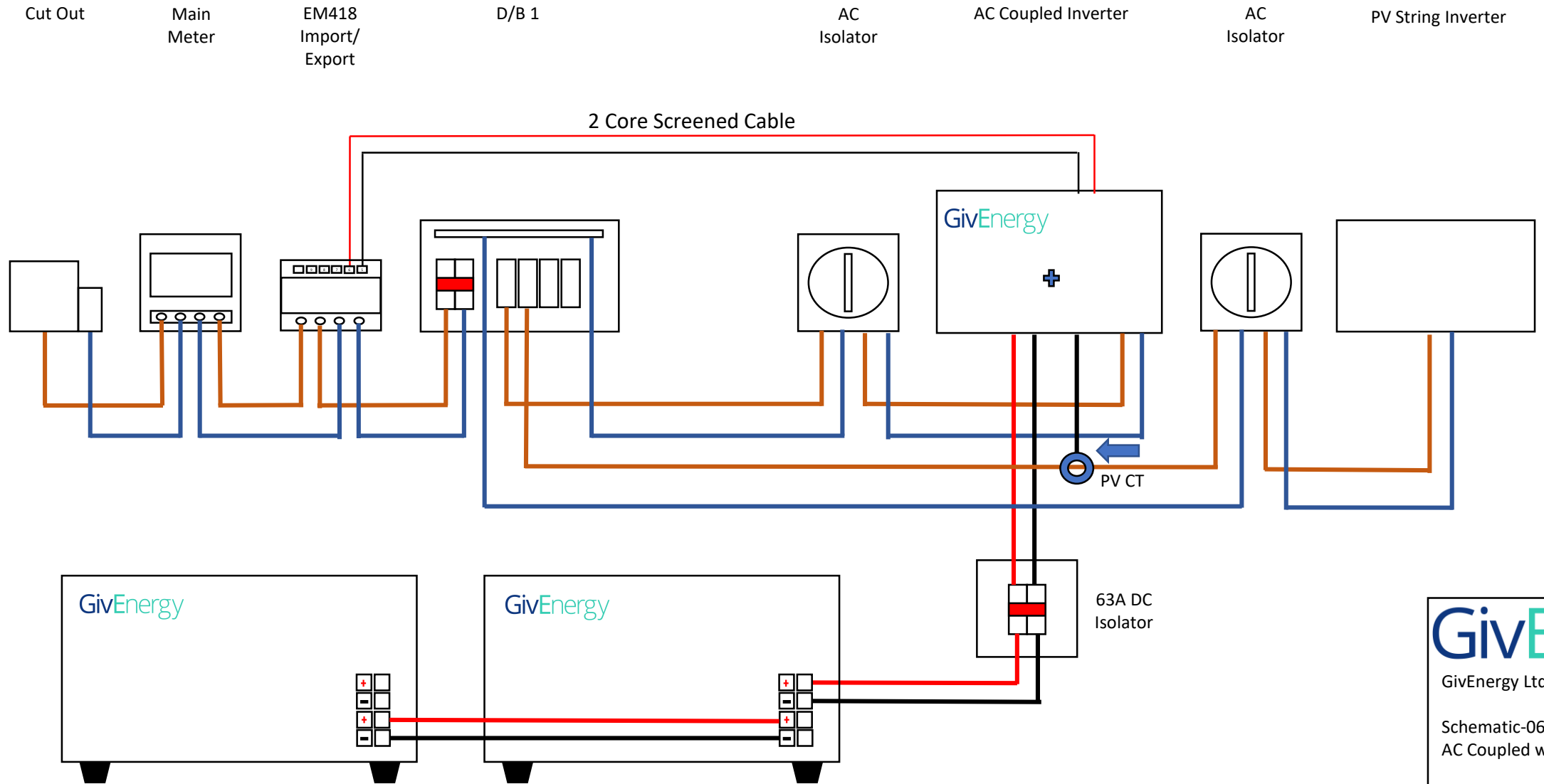
## AC Coupled with 2 x EM115



GivEnergy Ltd  
Schematic-05  
AC Coupled with 2 x EM115  
Date issued: 24-09-2019  
Produced By: Dan Lambert

# Schematic-06

## AC Coupled with 1 x EM418



**GivEnergy**

GivEnergy Ltd

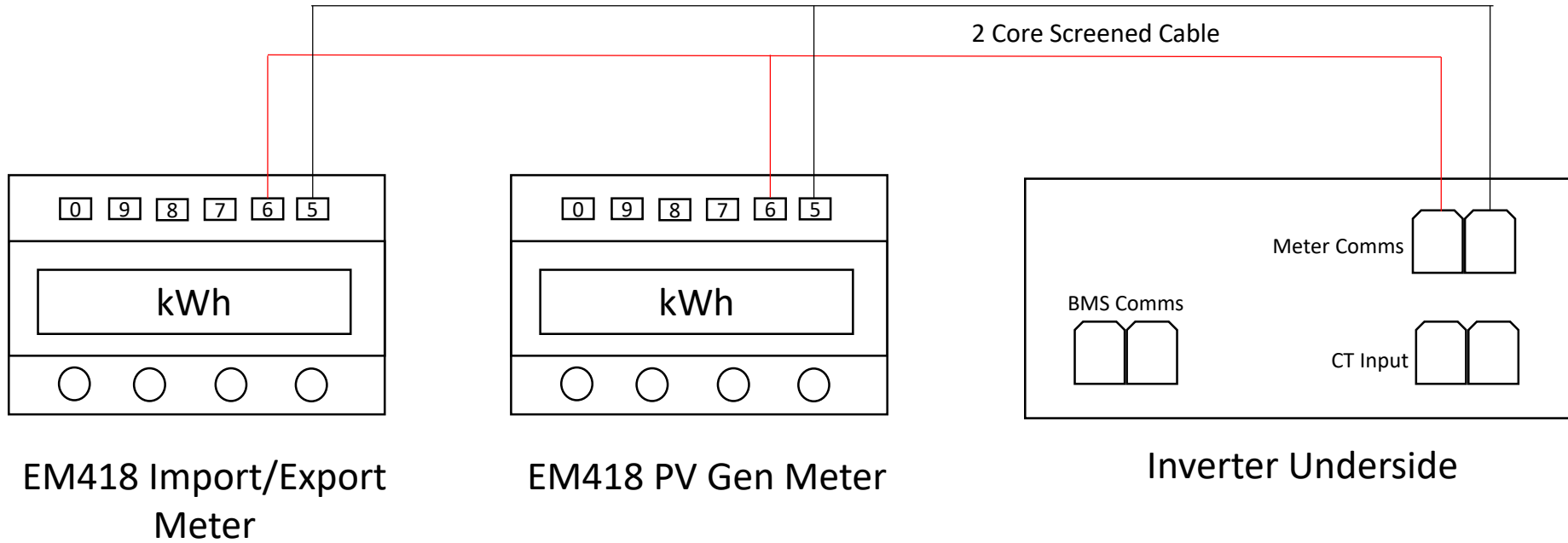
Schematic-06  
AC Coupled with 1 x EM418

Date issued: 24-09-2019

Produced By: Dan Lambert

# Schematic-07

## 2 x EM418 Meter Comms



**GivEnergy**

GivEnergy Ltd

Schematic-07  
2 x EM418 Meter Comms

Date issued: 24-09-2019

Produced By: Dan Lambert



# Schematic-08

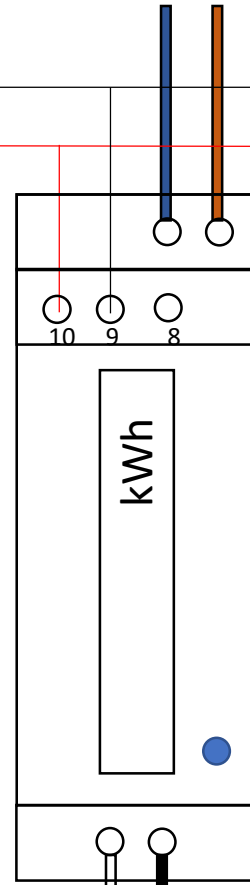
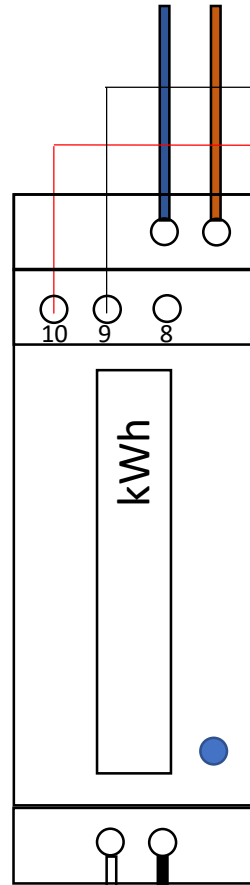
2 x EM115 Meter Comms

AC Supply

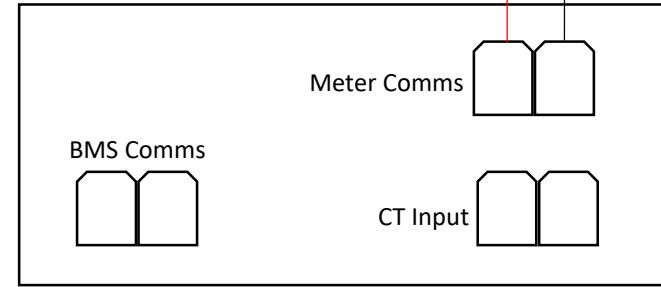
AC Supply

2 Core Screened Cable

EM115 Import/Export Meter



EM115 PV Gen Meter



Inverter Underside

**GivEnergy**

GivEnergy Ltd

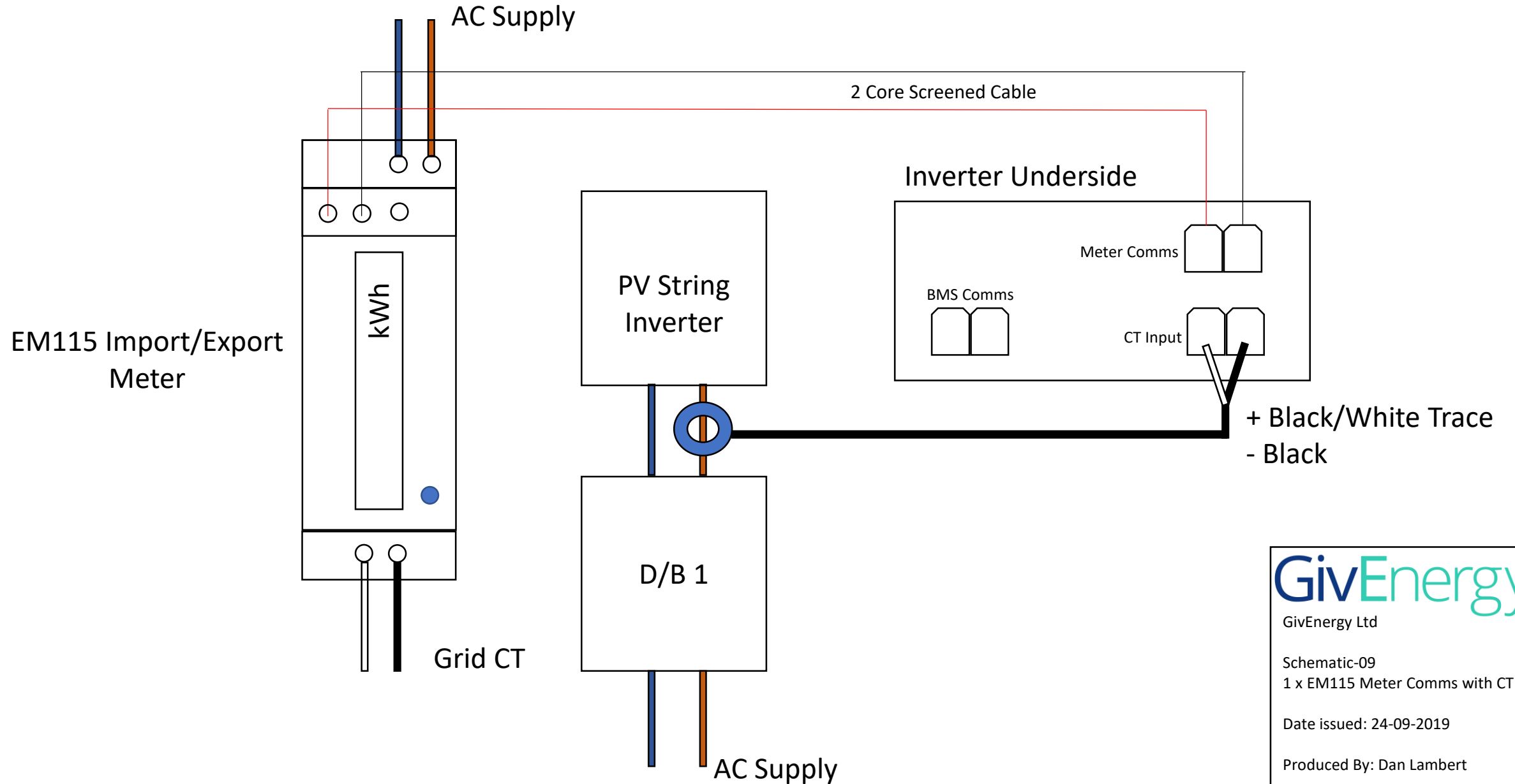
Schematic-08  
2 x EM115 Meter Comms

Date issued: 24-09-2019

Produced By: Dan Lambert

# Schematic-09

1 x EM115 Meter Comms with CT



**GivEnergy**

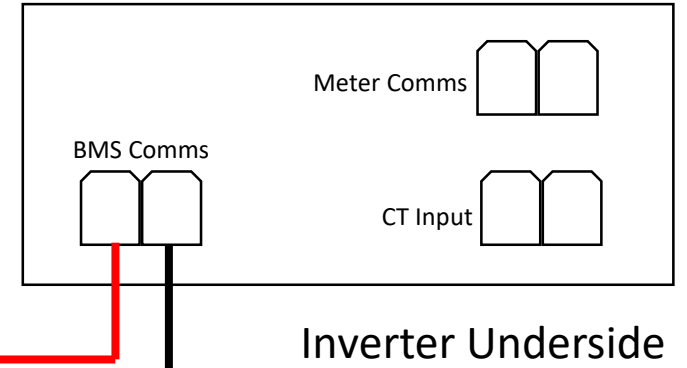
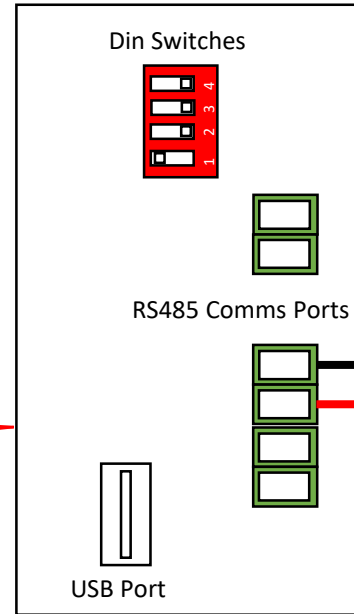
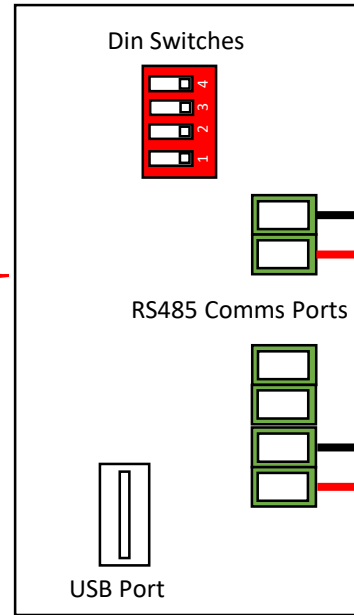
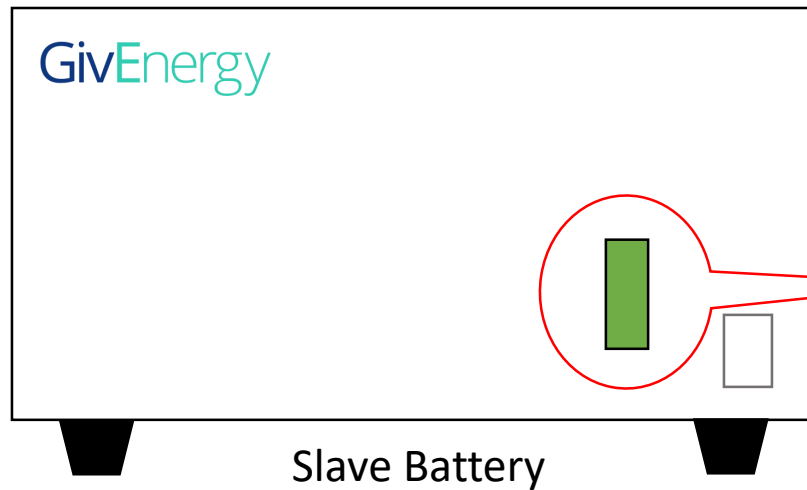
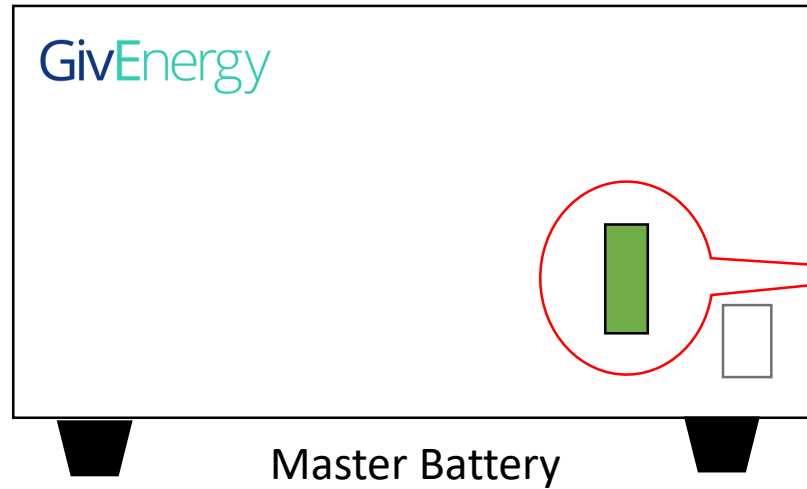
GivEnergy Ltd

Schematic-09  
1 x EM115 Meter Comms with CT

Date issued: 24-09-2019

Produced By: Dan Lambert

# Schematic-10 BMS Comms



Battery	ID	Description
Master		0, 0, 0, 0
Slave 1		1, 0, 0, 0
Slave 2		0, 1, 0, 0
Slave 3		0, 0, 1, 0
Slave 4		0, 0, 0, 1



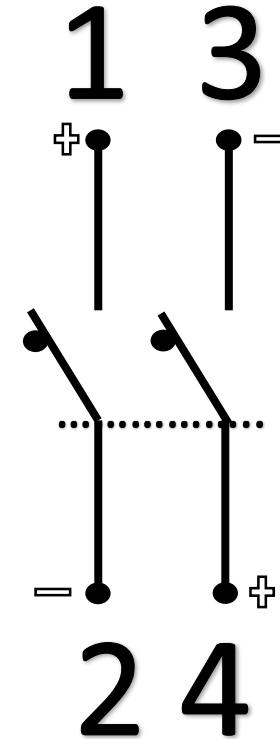
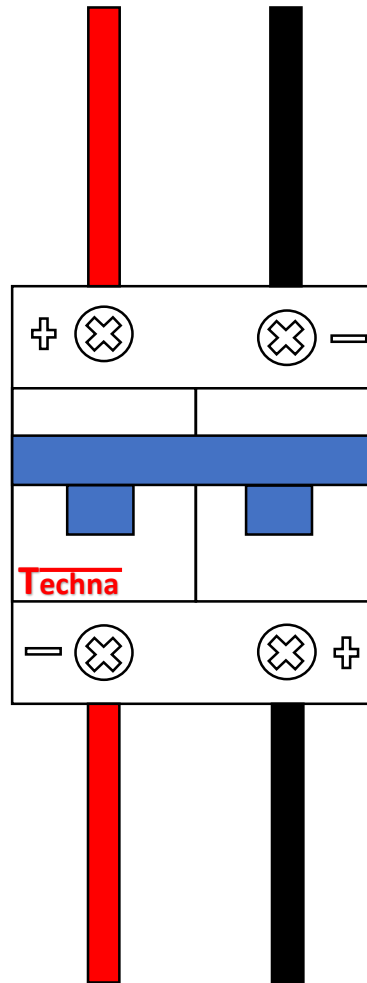
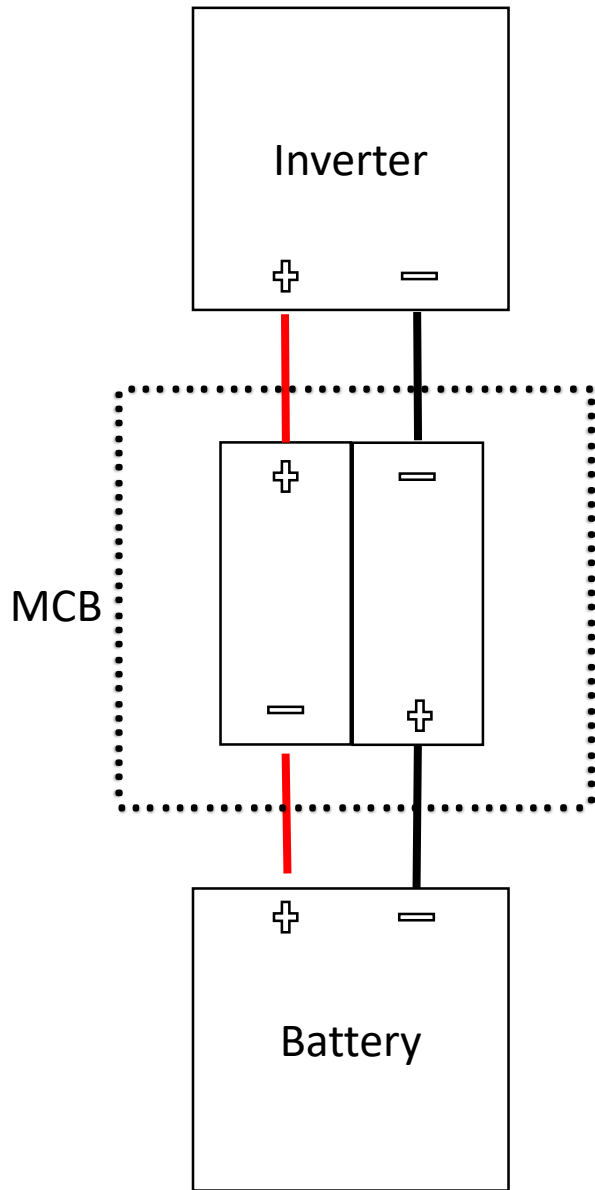
GivEnergy Ltd

Schematic-10  
BMS Comms

Date issued: 24-09-2019

Produced By: Dan Lambert

# Schematic-11 63A DC MCB Connection



**GivEnergy**

GivEnergy Ltd

Schematic-11  
63A DC MCB

Date issued: 24-09-2019

Produced By: Dan Lambert