



**LEARN MORE WITH  
OUR HOW-TO VIDEOS**

[www.youtube.com/FroniusSolar](http://www.youtube.com/FroniusSolar)

## Fronius Smart Meter TS 100A-1

EN

Operating instructions

System monitoring



42,0426,0350,EN 010-03032021



# Contents

<b>Safety rules</b>	<b>5</b>
Safety rules.....	7
Explanation of safety notices.....	7
General.....	7
Environmental conditions.....	8
Qualified personnel.....	8
Copyright.....	8
Data protection.....	8
<b>General information</b>	<b>9</b>
Fronius Smart Meter TS 100A-1.....	11
Device description.....	11
Information on the device.....	12
Intended use.....	12
Scope of supply.....	13
Positioning.....	13
<b>Installation</b>	<b>15</b>
Installation.....	17
Checklist for installation.....	17
Installation.....	17
Protective circuit.....	17
Cabling.....	18
Fitting the protective cover for the terminals.....	19
Connecting the data communication cable to the inverter.....	19
Terminating resistors - Explanation of symbols.....	20
Connecting the terminating resistor.....	20
Terminating resistors.....	20
Mounting the connection cover.....	22
Multi-meter system - Explanation of symbols.....	22
Modbus participants - Fronius SnapInverter.....	23
Multi-meter system - Fronius SnapInverter.....	23
Modbus participants - Fronius GEN24.....	24
Multi-meter system - Fronius GEN24 inverter.....	25
Menu - Measured variables.....	26
Configuration menu - structure and parameters.....	28
Setting the address on the Fronius Smart Meter TS.....	29
<b>Start-up</b>	<b>31</b>
Fronius SnapInverter.....	33
General.....	33
Connecting to the Fronius Datamanager.....	33
Configuring the Fronius Smart Meter TS as the primary meter.....	33
Configuring the Fronius Smart Meter TS as a secondary meter.....	34
Fronius GEN24 inverter.....	35
General.....	35
Installation using the web browser.....	35
Configuring the Fronius Smart Meter TS as the primary meter.....	36
Configuring the Fronius Smart Meter TS as a secondary meter.....	36
Technical data.....	37
Technical data.....	37
Fronius manufacturer's warranty.....	38



# **Safety rules**



# Safety rules

## Explanation of safety notices

### **DANGER!**

Indicates **immediate danger**.

- ▶ If not avoided, death or serious injury will result.

### **WARNING!**

Indicates a **potentially hazardous situation**.

- ▶ If not avoided, death or serious injury may result.

### **CAUTION!**

Indicates a **situation where damage or injury could occur**.

- ▶ If not avoided, minor injury and/or damage to property may result.

### **NOTE!**

Indicates a **risk of flawed results and possible damage to the equipment**.

## General

The device has been manufactured in line with the state of the art and according to recognized safety standards. If used incorrectly or misused, however, it can cause:

- Injury or death to the operator or a third party
- Damage to the device and other material assets belonging to the operating company.

All personnel involved in commissioning, maintenance, and servicing of the device must:

- Be suitably qualified
- Have knowledge of and experience in dealing with electrical installations and
- Have fully read and precisely followed these Operating Instructions

The Operating Instructions must always be at hand wherever the device is being used. In addition to the Operating Instructions, attention must also be paid to any generally applicable and local regulations regarding accident prevention and environmental protection.

All safety and danger notices on the device:

- Must be kept in a legible state
- Must not be damaged
- Must not be removed
- Must not be covered, pasted or painted over

The terminals can reach high temperatures.

Only operate the device when all protection devices are fully functional. If the protection devices are not fully functional, there is a danger of:

- Injury or death to the operator or a third party
- Damage to the device and other material assets belonging to the operating company

Any safety devices that are not fully functional must be repaired by an authorised specialist before the device is switched on.

Never bypass or disable protection devices.

---

For the location of the safety and danger notices on the device, refer to the section headed "General remarks" in the Operating Instructions for the device.

---

Any equipment malfunctions which might impair safety must be remedied before the device is turned on.

---

**This is for your personal safety!**

---

---

**Environmental conditions**

Operation or storage of the device outside the stipulated area will be deemed as not in accordance with the intended purpose. The manufacturer accepts no liability for any damage resulting from improper use.

---

**Qualified personnel**

The servicing information contained in these operating instructions is intended only for the use of qualified service engineers. An electric shock can be fatal. Do not carry out any actions other than those described in the documentation. This also applies to qualified personnel.

---

All cables and leads must be secured, undamaged, insulated and adequately dimensioned. Loose connections, scorched, damaged or inadequately dimensioned cables and leads must be immediately repaired by authorised personnel.

---

Maintenance and repair work must only be carried out by an authorised specialist.

---

It is impossible to guarantee that bought-in parts are designed and manufactured to meet the demands made on them, or that they satisfy safety requirements. Use only original spare parts (also applies to standard parts).

---

Do not carry out any alterations, installations, or modifications to the device without first obtaining the manufacturer's permission.

---

Components that are not in perfect condition must be changed immediately.

---

**Copyright**

Copyright of these operating instructions remains with the manufacturer.

---

The text and illustrations are all technically correct at the time of printing. We reserve the right to make changes. The contents of the operating instructions shall not provide the basis for any claims whatsoever on the part of the purchaser. If you have any suggestions for improvement, or can point out any mistakes that you have found in the instructions, we will be most grateful for your comments.

---

**Data protection**

The user is responsible for the safekeeping of any changes made to the factory settings. The manufacturer accepts no liability for any deleted personal settings.

---



# **General information**



# Fronius Smart Meter TS 100A-1

---

## Device description

The Fronius Smart Meter TS is a bidirectional electricity meter which optimises self-consumption and records the household's load curve. In conjunction with the Fronius inverter, Fronius Datamanager and Fronius data interface, the Fronius Smart Meter TS provides a clear overview of a user's own power consumption.

The meter measures the power flow to the loads or to the grid and forwards the information via the Modbus RTU/RS485 communication to the Fronius inverter and the Fronius Datamanager.



### **CAUTION!**

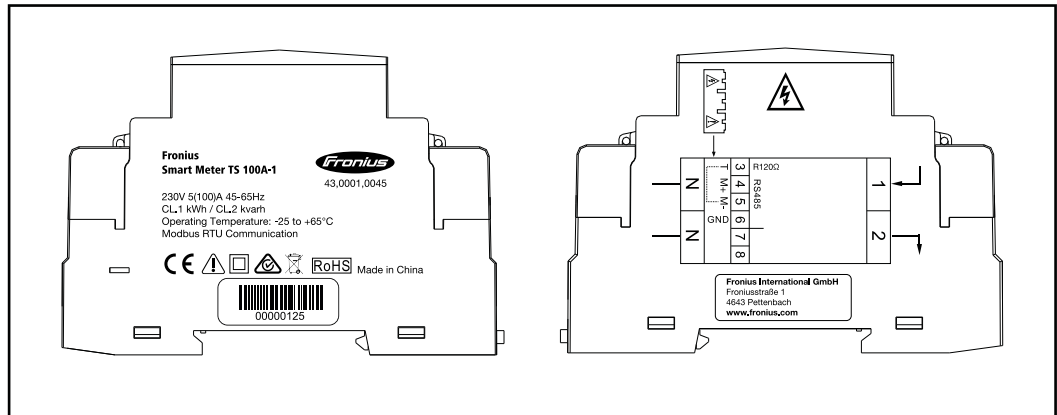
#### **Observe and follow safety instructions!**

Failure to observe the safety instructions will result in damage to personnel and equipment.


- ▶ Switch off the power supply before establishing a mains connection.
  - ▶ Observe the safety instructions.
-


## Information on the device


Technical data, markings and safety symbols are located on the Fronius Smart Meter TS. These must NOT be removed or painted over. They warn against incorrect operation which can lead to serious injury and damage.




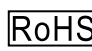
### Markings:

 The devices comply with all the requisite and relevant standards and guidelines that form part of the relevant EU Directive, and are therefore permitted to display the CE mark.


 Insulated (protection class II)


 Regulatory Compliance Mark (RCM)  
Complies with all applicable regulatory requirements in Australia and New Zealand regarding safety and electromagnetic compatibility, as well as specific requirements for radio equipment.

 To comply with European Directive 2012/19/EU on Waste Electrical and Electronic Equipment and its implementation as national law, electrical equipment that has reached the end of its life must be collected separately and returned to an approved recycling facility. Any device that you no longer require must be returned to your distributor or disposed of at an approved collection and recycling facility in your area. Ignoring this European Directive may have potentially adverse effects on the environment and your health!

 RoHS (Restriction of Hazardous Substances)  
The limited use of certain hazardous substances in electrical and electronic equipment has been complied with in accordance with EU Directive 2011/65/EU.

### Safety symbols:

 Danger of serious injury and property damage due to incorrect operation.

 Dangerous electrical voltage.

## Intended use

The Fronius Smart Meter TS is a fixed piece of equipment for public grids of TN/TT systems and records self-consumption and/or individual loads in the system. The Fronius Smart Meter TS is required for systems with a battery storage system and/or a Fronius Ohmpilot installed for communication between the individual components. The installa-

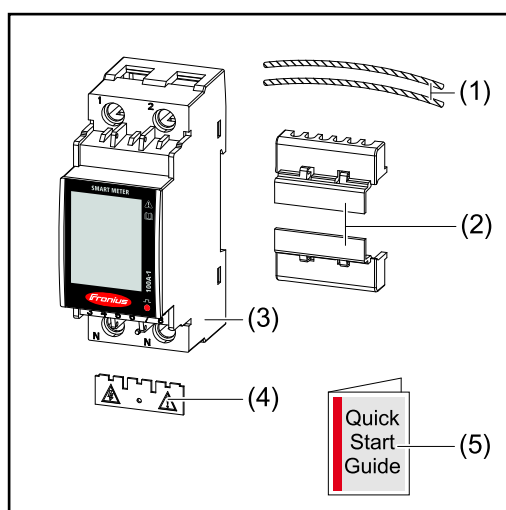
tion is carried out on an indoor DIN rail with corresponding back-up fuses, which are adapted to the cable cross-sections of the copper conductors and to the maximum current of the meter. The Fronius Smart Meter TS must only be operated in accordance with the specifications in the enclosed documentation and in accordance with local laws, regulations, provisions, standards and within the limits of technical possibilities. Any use of the product other than as described in the intended use shall be deemed to be not in accordance with the intended purpose. The available documentation forms part of the product and must be read, observed and kept in good condition. It must also be accessible at all times at the place of installation. The available documents do not replace regional, state, provincial or national laws, or regulations or standards that apply to the installation, electrical safety and use of the product. Fronius International GmbH assumes no responsibility for compliance with or non-compliance with these laws or regulations in connection with the installation of the product.

Interventions on the Fronius Smart Meter TS, e.g. modifications and alterations, are not permitted. Unauthorised interventions will void the warranty and warranty claims and, as a rule, void the user's authority to operate the equipment. The manufacturer shall not be liable for any damage resulting from such use.

Reasonably foreseeable misuse:

The Fronius Smart Meter TS is not suitable for the supply of life-sustaining medical devices or for the billing of subtenants.

### Scope of supply

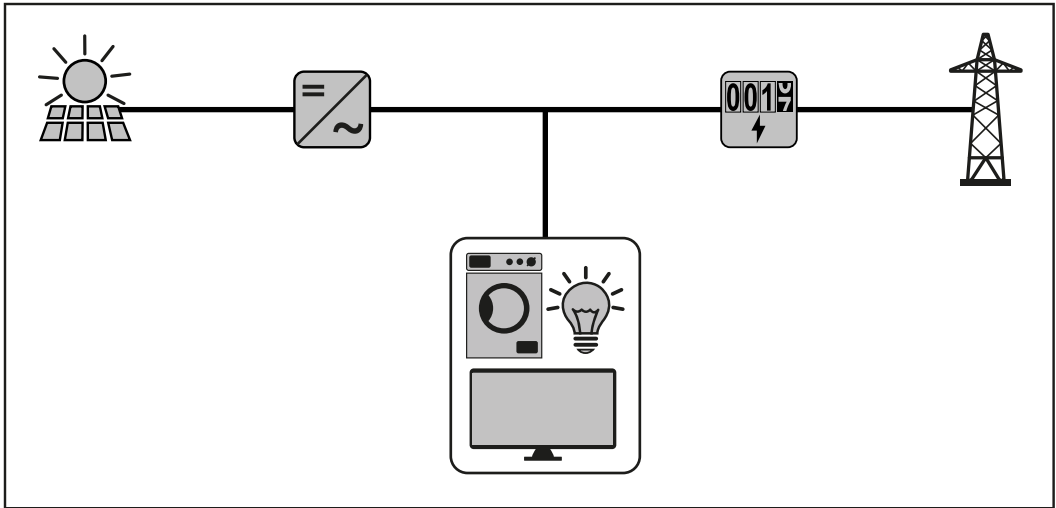


- (1) 2x seal wire
- (2) 2x connection cover
- (3) Fronius Smart Meter TS 65A-3
- (4) 1x protective cover
- (5) Quick Start guide

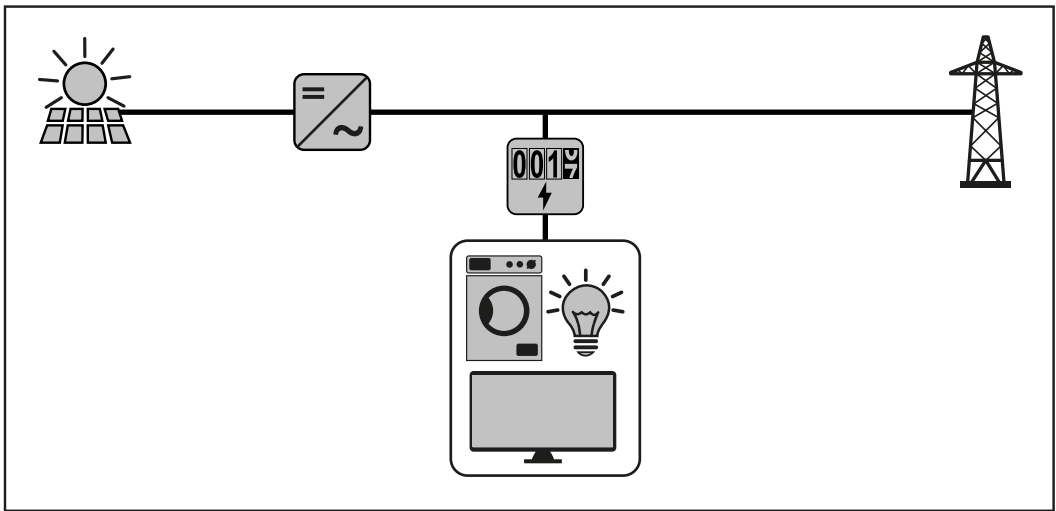
### Positioning

The Fronius Smart Meter TS can be installed in the following positions in the system:

**Positioning at the feed-in point:**



**Positioning at consumption point:**



For use as a secondary meter to measure individual loads and producers, see chapter [Multi-meter system - Fronius SnapINverter](#) on page 23.

# Installation





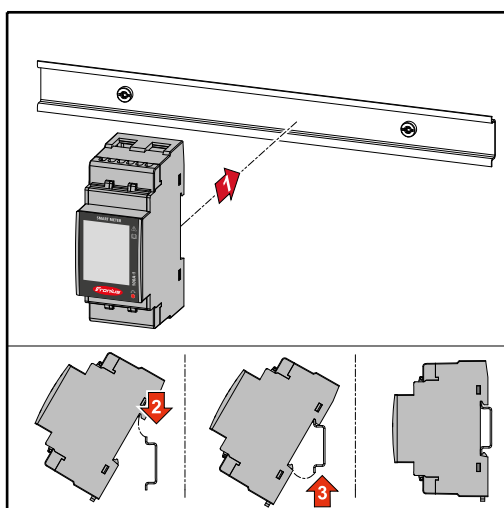
# Installation

## Checklist for installation

For installation information, see the following chapters:

- 1 Switch off the power supply before establishing a mains connection.
- 2 Mount the Fronius Smart Meter TS (see "[Installation](#)" on page 17).
- 3 Connect automatic circuit breakers or automatic circuit breakers and disconnectors (see "[Protective circuit](#)" on page 17).
- 4 Connect the mains cable to the Fronius Smart Meter TS (see "[Cabling](#)" on page 18).
- 5 Fit the protective cover for the terminals (see "[Fitting the protective cover for the terminals](#)" on page 19).
- 6 Connect the data communication connections of the Fronius Smart Meter TS to the Fronius system monitoring using a suitable cable (see "[Connecting the data communication cable to the inverter](#)" on page 19).
- 7 If necessary, set terminating resistors (see "[Connecting the terminating resistor](#)" on page 20).
- 8 Tug on each wire and plug to make sure that they are securely connected to the terminal blocks.
- 9 Switch on the power supply to the Fronius Smart Meter TS.
- 10 Check the firmware version of the Fronius system monitoring. To ensure compatibility between the inverter and the Fronius Smart Meter TS, the software must always be kept up to date. The update can be started via the inverter web page or using Solar.web.
- 11 If several Fronius Smart Meter TS are installed in the system, set the address (see "Setting the address" under "[Setting the address on the Fronius Smart Meter TS](#)" on page 29).
- 12 Configure and commission the meter (see [Start-up](#) on page 31).

## Installation



The Fronius Smart Meter TS can be mounted on a 35 mm DIN rail. The housing comprises 2 modules according to DIN 43880.

## Protective circuit

The Fronius Smart Meter TS is a hard-wired device and requires a disconnecting device (circuit breaker, switch or disconnector) and overcurrent-protection (automatic-circuit breaker).

The Fronius Smart Meter TS consumes 10 - 30 mA, the nominal capacity of the disconnecting devices and the overcurrent-protection is determined by the wire thickness, the mains voltage and the required breaking capacity.

- Disconnecting devices must be mounted within sight and as close as possible to the Fronius Smart Meter TS; they must also be easy to use.
- The disconnecting devices must satisfy the requirements of IEC 60947-1 and IEC 60947-3, as well as all national and local regulations for electrical systems.
- Use overcurrent-protection rated for max. 100 A.
- To monitor more than one mains voltage, use connected-automatic circuit breakers.
- The overcurrent-protection must protect the mains terminals with the designations L1. In rare cases, the neutral conductor has an overcurrent-protection, which must interrupt both neutral and non-earthed cables concurrently.

## Cabling

### IMPORTANT!

Always switch off the power supply before connecting the mains voltage inputs to the Fronius Smart Meter TS.

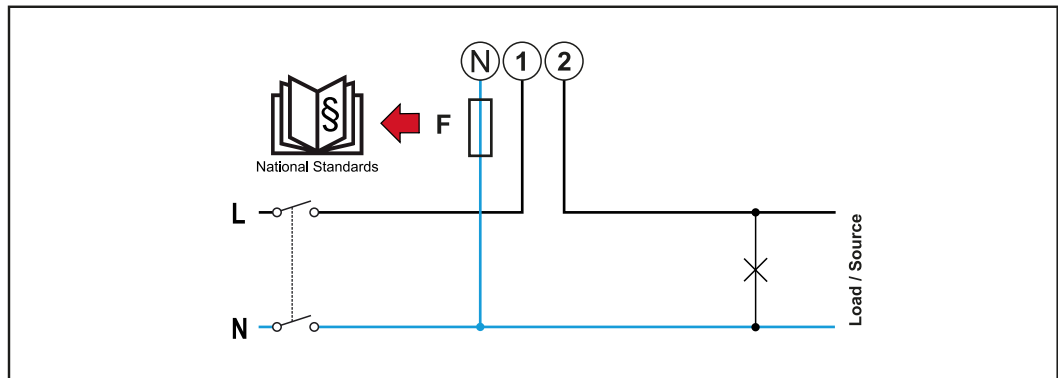
Recommended thickness of stranded mains voltage cables for the terminals of the measuring input and measuring output:

- Wire: 1 - 25 mm<sup>2</sup>
- Recommended torque: max. 2.8 Nm

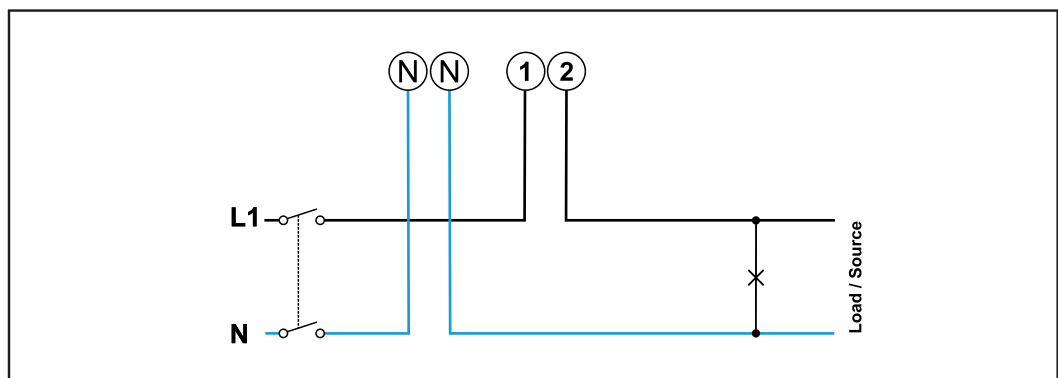
Recommended thickness of stranded wires for data communication terminals:

- Wire: min. 0.05 mm<sup>2</sup>
- Recommended torque: max. 0.5 Nm

Connect each voltage cable to the terminal strip as shown in the graphics below.

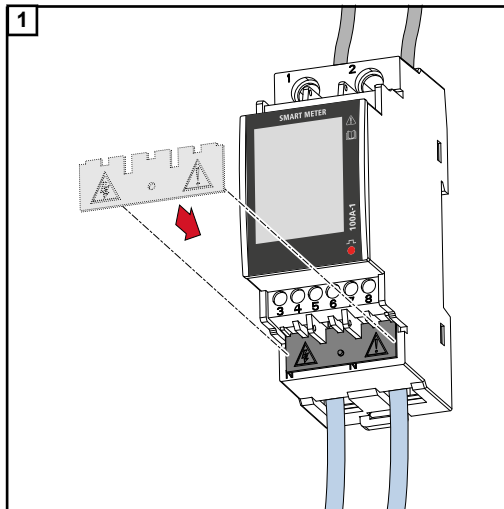


1 phase, 2 conductors



1 phase, 2 conductors

**Fitting the protective cover for the terminals**



Insert the protective cover into the guide and press firmly.

**⚠ WARNING!**

**Danger due to electrical voltage from missing or improperly fitted protective cover.**

An electric shock can be fatal and/or cause serious damage to property.

- ▶ Fit the protective cover immediately after installing the live cables.
- ▶ Fit the protective cover properly and check that it is secure.

**Connecting the data communication cable to the inverter**

Connect the data communication connections of the Fronius Smart Meter TS to the Modbus interface of the Fronius inverter using a network cable (type CAT5 or higher).

Several Smart Meters can be installed in the system, see chapter [Multi-meter system - Fronius SnapInverter](#) on page 23.

CU Wire (min CAT 5)

≥0,05 mm<sup>2</sup>

⊖

0,4 Nm

SnapInverter		
	Smart Meter	Modbus
■	4	D+
■	5	D-
■	6	-

GEN24		
	Smart Meter	Modbus
■	4	M1+
■	5	M1-
■	6	GND

To avoid interference, the terminating resistor must be used (see chapter [Connecting the terminating resistor](#) on page 20).

**IMPORTANT!**

**More information on successful commissioning.**

Note the following information about connecting the data communication cable to the inverter.

- Use network cables of type CAT5 or higher.
- Use a mutual twisted cable pair for corresponding data lines (D+/D-, M1+/M1-).
- If the data lines are close to the mains cabling, use wires or cables that are designed for 300 to 600 V (never less than the operating voltage).
- Use double-insulated or sheathed data lines when they are close to bare conductors.
- Use shielded twisted pair cables to avoid faults.
- Two wires can be installed in each terminal; the wires are twisted first, inserted into the terminal and tightened.

**Note:** A loose wire can disable an entire area of the network.

- The data communication connections of the Fronius Smart Meter TS are electrically isolated from hazardous voltages.

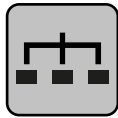
**Terminating resistors - Explanation of symbols**



**Inverter in the system**  
e. g. Fronius Symo



**Meter - Fronius Smart Meter TS**  
Terminating resistor R 120 Ohm is set with a wire jumper between **M-** and **T**.

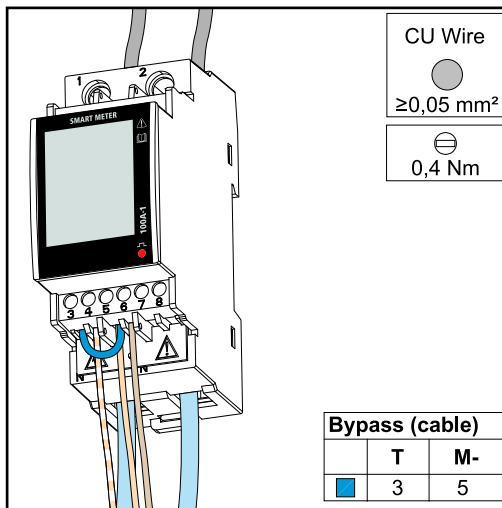


**Modbus RTU slave**  
e. g. Fronius Ohmpilot, Fronius Solar Battery, etc.



**Terminating resistor**  
R 120 Ohm

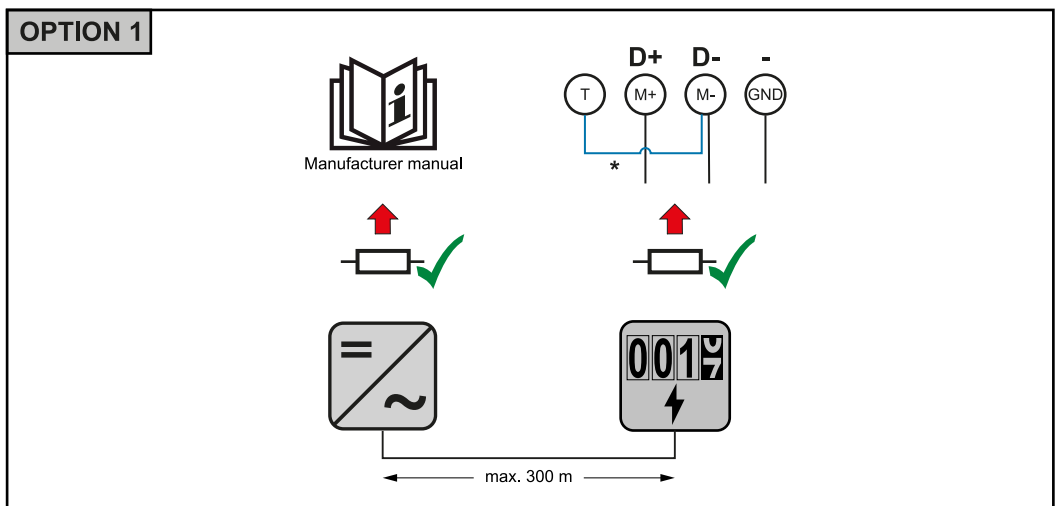
**Connecting the terminating resistor**

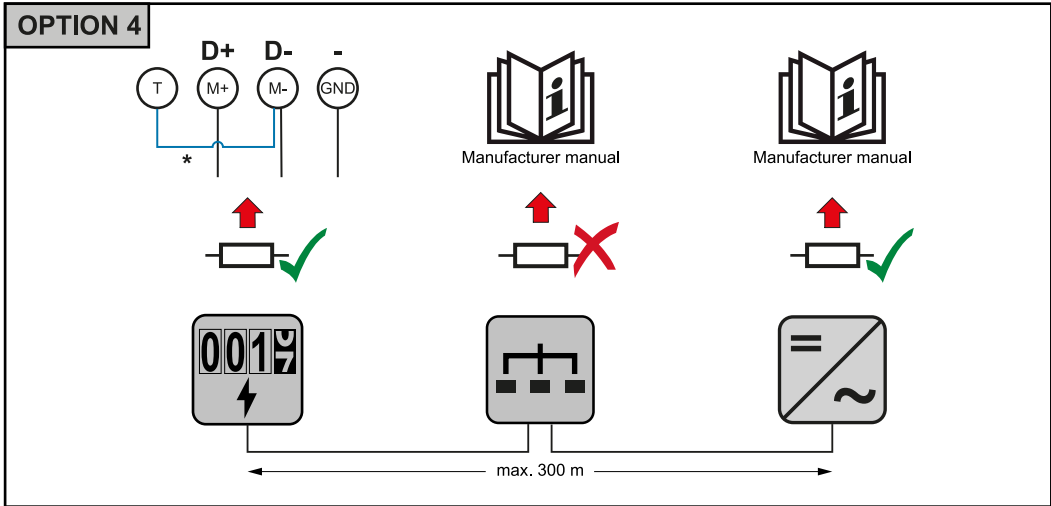
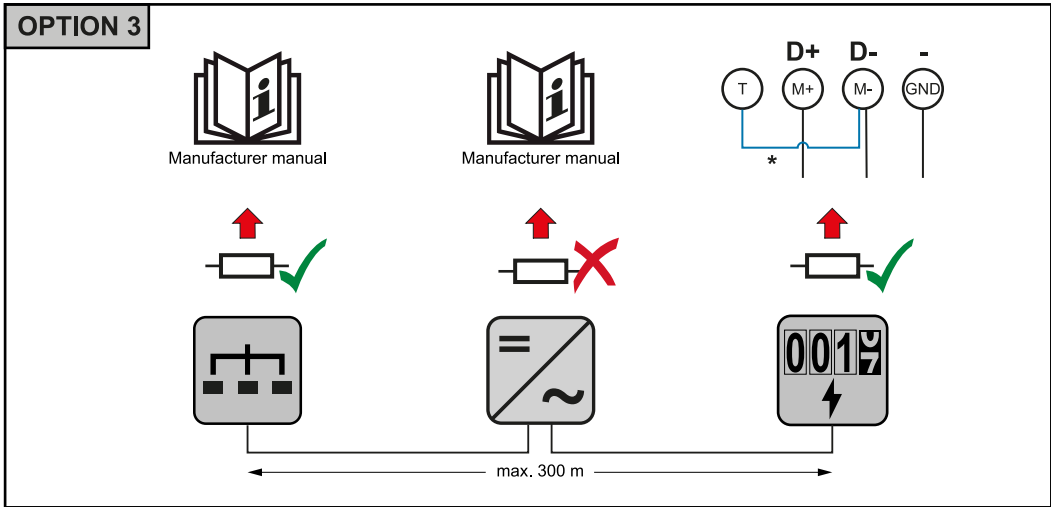
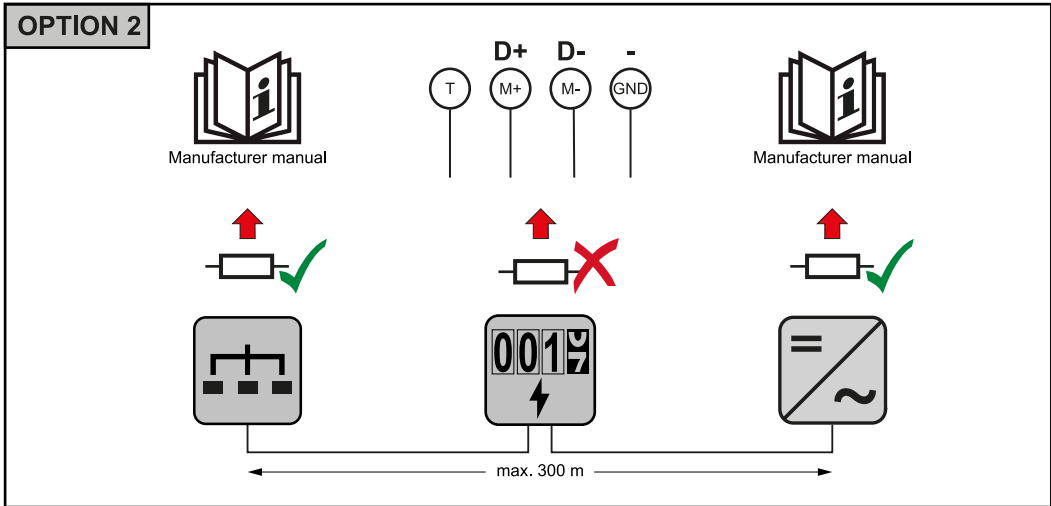


The terminating resistor is integrated in the Fronius Smart Meter TS and is manufactured with a bridge between the **M** and **T** connections (T = termination).

**Terminating resistors**

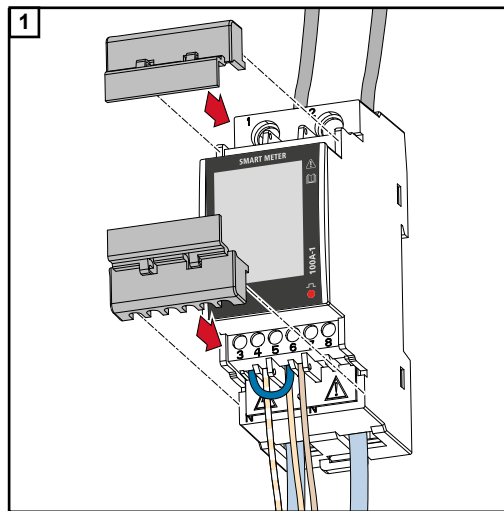
Due to interference, it is recommended that terminating resistors are used as illustrated below to ensure proper functioning.





\* The terminating resistor is integrated in the Fronius Smart Meter TS and is manufactured with a bridge between the **M** and **T** connections (T = termination).

**Mounting the connection cover**

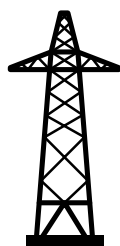


Insert the connection covers into the guides and press firmly.

**IMPORTANT!**

When fitting the connection covers, ensure that the cables are not kinked, pinched, crushed or otherwise damaged.

**Multi-meter system - Explanation of symbols**



**Grid**

supplies the loads in the system if insufficient power is being generated by the PV modules or supplied by the battery.



**Inverter in the system**

e. g. Fronius Primo, Fronius Symo, etc.



**Utility meter**

Measures the measurement data relevant for billing amounts of energy (in particular kilowatt hours of energy sourced from the grid and energy fed into the grid). Based on the relevant billing data, the electricity retailer will invoice the energy sourced from the grid and the purchaser of the surplus energy will reimburse the energy fed into the grid.



**Primary meter**

Records the system's load curve and provides measurement data for energy profiling in Fronius Solar.web. The primary meter also controls the dynamic feed-in control.



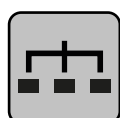
**Secondary meter**

Records the load curve of individual loads (e.g. washing machine, lamps, TV, heat pump, etc.) in the consumption branch and provides measurement data for energy profiling in Fronius Solar.web.



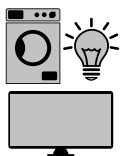
**Producer meter**

Records the load curve of individual producers (e.g. wind power plant) in the consumption branch and provides measurement data for energy profiling in Fronius Solar.web.



**Modbus RTU slave**

e. g. Fronius Ohmpilot, Fronius Solar Battery, etc.



**Loads in the system**  
e. g. washing machine, lamps, TV, etc.



**Additional loads in the system**  
e. g. heat pump



**Additional producers in the system**  
e. g. wind power plant



**Terminating resistor**  
R 120 Ohm

**Modbus participants - Fronius SnapInverter**

A maximum of 4 Modbus participants can be connected to the Modbus terminal.

**IMPORTANT!**

Only one primary meter, one battery and one Ohmpilot can be connected per inverter. Due to the high data transfer of the battery, the battery occupies 2 participants.

**Example:**

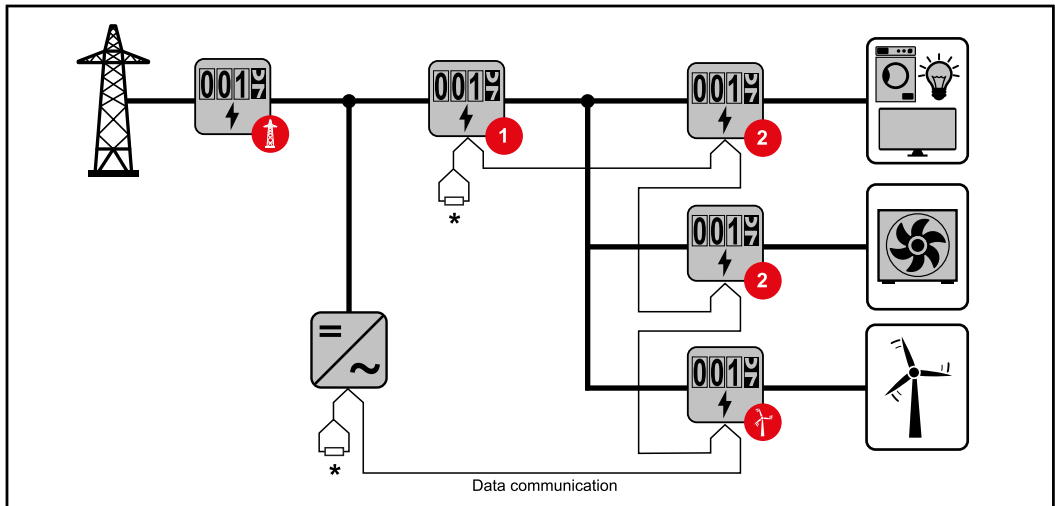
Input	Battery	Fronius Ohmpilot	Quantity Primary meter	Quantity Secondary meter
Modbus	✓	✓	1	0
	✓	✗	1	1
	✗	✓	1	2
	✗	✗	1	3

**Multi-meter system - Fronius SnapInverter**

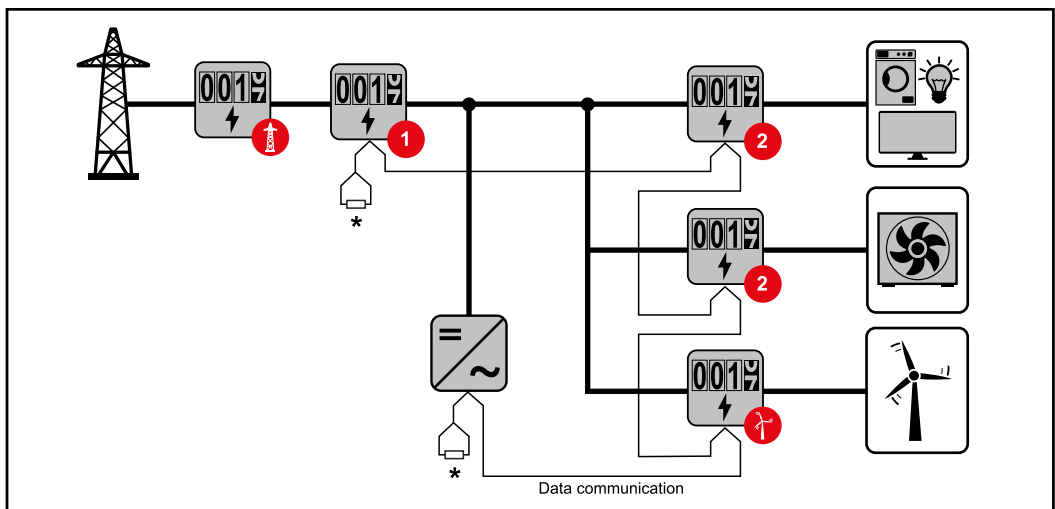
If several Fronius Smart Meter TS are installed, a separate address must be set for each (see [Setting the address on the Fronius Smart Meter TS](#) on page 29). The primary meter is always assigned address 1. All the other meters are numbered consecutively with the address range from 2 to 14. Different Fronius Smart Meter power categories can be used in combination.

**IMPORTANT!**

Max. Use 3 secondary meters in the system. To avoid interference, it is recommended to install the terminating resistors according to chapter [Connecting the terminating resistor](#) on page 20.



Location of the primary meter in the consumption branch. \*Terminating resistor R 120 Ohm



Location of the primary meter at the feed-in point. \*Terminating resistor R 120 Ohm

**The following must be observed in a multi-meter system:**

- Only assign each Modbus address once.
- Terminating resistors must be positioned individually for each channel.

**Modbus participants - Fronius GEN24**

The inputs M0 and M1 can be selected for this purpose. A maximum of 4 Modbus participants can be connected to the Modbus terminal on inputs M0 and M1.

**IMPORTANT!**

Only one primary meter, one battery and one Ohmpilot can be connected per inverter. Due to the high data transfer of the battery, the battery occupies 2 participants.



## Example 1:

Input	Battery	Fronius Ohmpilot	Quantity Primary meter	Quantity Secondary meter
Modbus 0 (M0)	✗	✗	0	4
	✓	✗	0	2
	✓	✓	0	1
Modbus 1 (M1)	✗	✗	1	3

## Example 2:

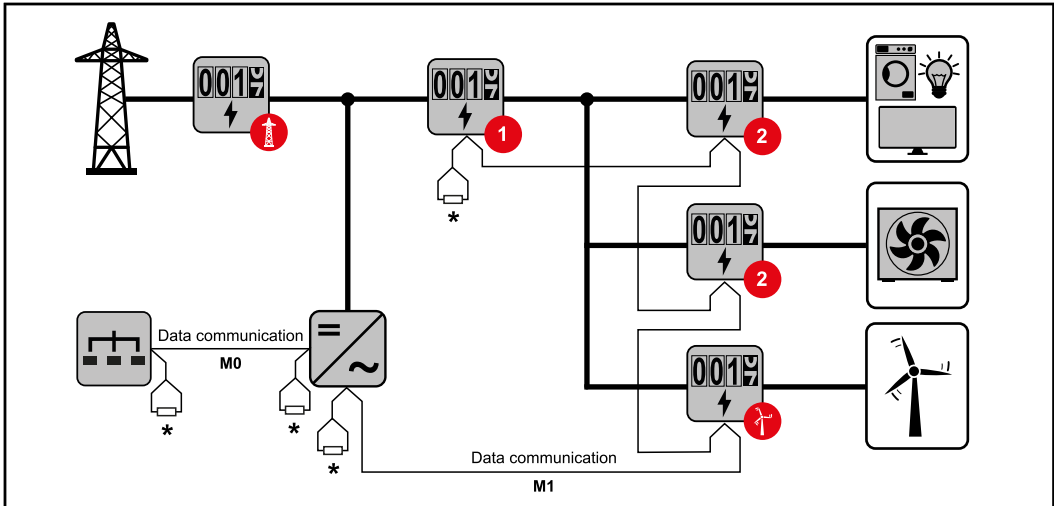
Input	Battery	Fronius Ohmpilot	Quantity Primary meter	Quantity Secondary meter
Modbus 0 (M0)	✗	✗	1	3
Modbus 1 (M1)	✗	✗	0	4
	✓	✗	0	2
	✓	✓	0	1

**Multi-meter system - Fronius GEN24 inverter**

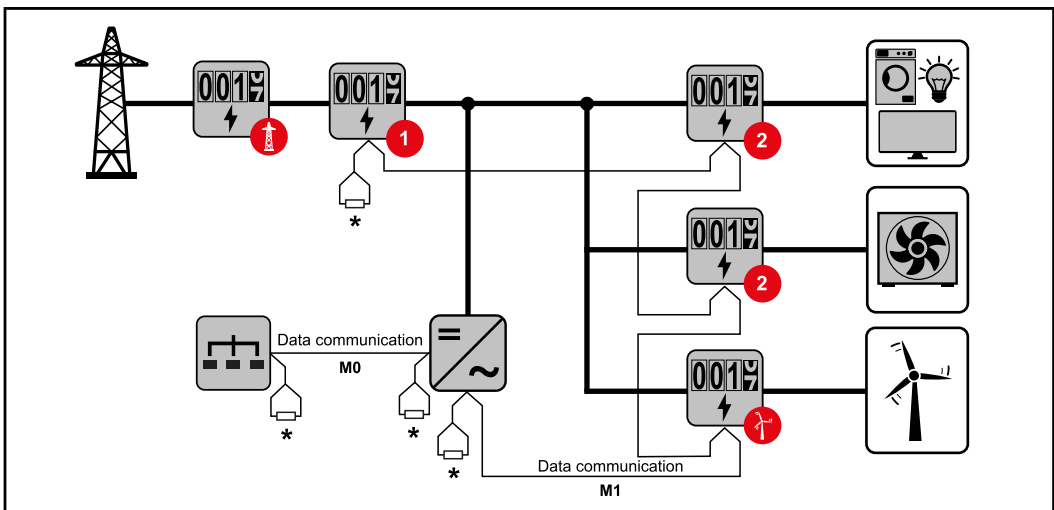
If several Fronius Smart Meter TS are installed, a separate address must be set for each (see [Setting the address on the Fronius Smart Meter TS](#) on page 29). The primary meter is always assigned address 1. All the other meters are numbered consecutively with the address range from 2 to 14. Different Fronius Smart Meter power categories can be used in combination.

**IMPORTANT!**

Max. Use 7 secondary meters in the system. To avoid interference, it is recommended to install the terminating resistors according to chapter [Connecting the terminating resistor](#) on page 20.



Location of the primary meter in the consumption branch. \*Terminating resistor R 120 Ohm



Location of the primary meter at the feed-in point. \*Terminating resistor R 120 Ohm

**The following must be observed in a multi-meter system:**

- Connect the primary meter and the battery to different channels (recommended).
- The remaining Modbus participants must be distributed equally.
- Only assign each Modbus address once.
- Terminating resistors must be positioned individually for each channel.

**Menu - Measured variables**

Image	Screen	Description
	00	1. Total active energy drawn* 2. Effective power











Image	Screen	Description
 A screenshot of a digital display. The top line shows 'kWh' followed by '123.45'. The second line shows '1234'. The third line shows 'kW'. At the bottom, there are navigation arrows.	01	<ol style="list-style-type: none"> <li>1. Total active energy supplied**</li> <li>2. Effective power</li> </ol>
 A screenshot of a digital display. The top line shows 'kWh' followed by '123456.78'. The second line shows '123.4'. The third line shows 'U'. At the bottom, there are navigation arrows.	02	<ol style="list-style-type: none"> <li>1. Total active energy drawn*</li> <li>2. Voltage</li> </ol>
 A screenshot of a digital display. The top line shows 'kWh' followed by '123456.78'. The second line shows '123'. The third line shows 'A'. At the bottom, there are navigation arrows.	03	<ol style="list-style-type: none"> <li>1. Total active energy drawn*</li> <li>2. Current</li> </ol>
 A screenshot of a digital display. The top line shows 'kWh' followed by '123456.78'. The second line shows 'L 0.98'. The third line shows 'PF'. At the bottom, there are navigation arrows.	04	<ol style="list-style-type: none"> <li>1. Total active energy drawn*</li> <li>2. Power factor (L = inductive, C = capacitive)</li> </ol>
 A screenshot of a digital display. The top line shows 'kWh' followed by '123456.78'. The second line shows '50.0'. The third line shows 'Hz'. At the bottom, there are navigation arrows.	05	<ol style="list-style-type: none"> <li>1. Total active energy drawn*</li> <li>2. Frequency</li> </ol>
 A screenshot of a digital display. The top line shows 'kvarh' followed by '123456.78'. The second line shows '12'. The third line shows 'kVAr'. At the bottom, there are navigation arrows.	06	<ol style="list-style-type: none"> <li>1. Total reactive energy drawn*</li> <li>2. Reactive power</li> </ol>

Image	Screen	Description
	07	<ol style="list-style-type: none"> <li>Total reactive energy supplied**</li> <li>Reactive power</li> </ol>
	08	<ol style="list-style-type: none"> <li>Total active energy drawn*</li> <li>Average demanded power (<b>dMd</b> = demand), calculated for the set interval. The value remains unchanged for the entire interval. It is "0" in the first interval after the start.</li> <li>Maximum demanded power (<b>P</b> = Peak demand), which has been reached since the last reset</li> </ol>
	09	- Not used
	10	- Not used

\* Displayed when easy connection mode is activated (**measurement** = A). This value indicates the total energy without considering the direction.

\*\* Factory setting - displayed when drawn and delivered energy are measured separately (**measurement** = b).

### Configuration menu - structure and parameters

Screen	Code	Description	Values
PASS***	P1	Enter the current password	2633*
nPASS	P2	Password change **	Four digits (0000-9999)
MEASurE	P3	Measurement mode **	A: easy connection, measures all energy without taking the direction into account. B*: measures imported and exported energy separately.
P int	P4	Average power calculation interval (minutes)	1* - 30






Screen	Code	Description	Values
MOdE	P5	Display mode **	Full*: full display Easy: reduced display. The values that are not displayed are still transmitted via the serial interface.
tArIFF	P6	Tariff management **	On: activated Off*: deactivated
HoME	P7	Screen showing measured variables displayed at startup and after 120 seconds of inactivity **	For full display (Mode = Full): 0-10*
AddrESS** *	P10	Modbus address	1* - 247
bAUd	P11	Baud rate (kBit/s) **	9.6* / 19.2 / 38.4 / 57.6 / 115.2
PArITY	P12	Parity **	Even/No*
STOP bit	P12-2	Only if parity = No. Stop bit. **	1* / 2
rESET	P13	Activation of the reset function for energy tariffs, maximum requested power and part values of active and reactive energy (the latter are only transmitted via the serial interface) **	No*: reset function deactivated. Yes: reset function activated.
End	P14	Returns to the measured variables start screen	None

\* Factory settings

\*\* The settings can be protected by changing the default password (password cannot be reset).

\*\*\* Settings that need to be configured.

### Setting the address on the Fronius Smart Meter TS

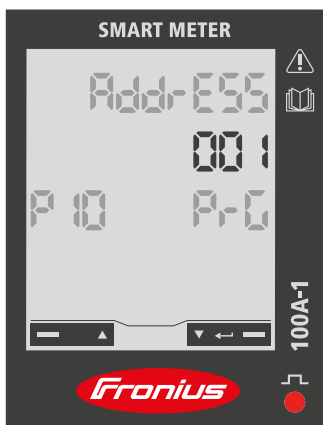
Sym- bol	Name	Event	Function
	Up	1x 	Scroll one screen forward, increase the value by 1
	Down/ Enter	1x  2 seconds 	Scroll one screen back, decrease the value by 1 Call up settings, confirm value



- 1 Press and hold "Down/Enter" for 2 seconds.
- 2 Press "Up" or "Down/Enter" to access the P1 screen.
- 3 Set password "2633" with "Up" and "Down/Enter" and confirm each individual value with "Down/Enter".
- 4 Note down the password.

**IMPORTANT!**

The password cannot be reset.



- 1 Press "Up" or "Down/Enter" to access the P10 screen.
- 2 Press and hold "Down/Enter" for 2 seconds.
- 3 Set the address with "Up" and "Down/Enter" and confirm each individual value with "Down/Enter".
- 4 Press "Up" to access the P14 screen and press and hold "Enter" for 2 seconds to exit the settings.

# Start-up





## General

**IMPORTANT!** Settings under the "Meter" menu item are only to be made by trained and qualified personnel!

The service password must be entered in order to access the "Meter" menu item.

Three-phase or single-phase Fronius Smart Meter TS can be used. In both cases, the selection is made under the "Fronius Smart Meter" item. The Fronius Datamanager automatically identifies the meter type.

A primary meter and several secondary meters can be selected. The primary meter needs to be configured first before a secondary meter can be selected.

## Connecting to the Fronius Datamanager

### Access point:

- 1 Select the "Setup" menu on the inverter display and enable the "Wi-Fi Access Point".
- 2 Establish the connection to the inverter in the network settings (the inverter is displayed with the name "Fronius\_240.XXXXXXX").
- 3 Password: Enter 12345678 and confirm.
- 4 In the browser address bar, enter and confirm the IP address <http://192.168.250.181> and confirm.

The Fronius Datamanager start page is displayed.

### LAN:

- 1 Connect the Fronius Datamanager and computer to a LAN cable.
- 2 Place the Fronius Datamanager IP switch in the 'A' position.
- 3 In the browser address bar, enter and confirm the IP address <http://169.254.0.180> and confirm.

## Configuring the Fronius Smart Meter TS as the primary meter

- 1 Go to the Fronius Datamanager website.
  - Open the web browser.
  - In the address bar of the browser, enter the IP address (IP address for WLAN: 192.168.250.181, IP address for LAN: 169.254.0.180) or the host and domain name of the Fronius Datamanager and confirm.
  - The Fronius Datamanager website will be displayed.
- 2 Click the "Settings" button.
- 3 Log in to the login area with the "service" user and the service password.
- 4 Call up the "Meter" menu area.
- 5 Select the primary meter from the drop-down list.
- 6 Click the "Settings" button.
- 7 In the pop-up window, set the position of the meter (feed-in point or consumption point). For more information on the position of the Fronius Smart Meter TS, see [Positioning](#) on page 13.
- 8 Click the "Ok" button when the OK status is displayed. If the *Timeout* status is displayed, try again.
- 9 Click the   button to save the settings.

The Fronius Smart Meter TS is configured as a primary meter.

The "Current general view" menu area displays the power of the PV modules, self-consumption, the energy fed into the grid and the battery charge (if available).

---

**Configuring the  
Fronius Smart  
Meter TS as a  
secondary meter**

- 1** Go to the Fronius Datamanager website.
  - Open the web browser.
  - In the address bar of the browser, enter the IP address (IP address for WLAN: 192.168.250.181, IP address for LAN: 169.254.0.180) or the host and domain name of the Fronius Datamanager and confirm.
  - The Fronius Datamanager website will be displayed.
- 2** Click the "Settings" button.
- 3** Log in to the login area with the "service" user and the service password.
- 4** Call up the "Meter" menu area.
- 5** Select the secondary meter from the drop-down list.
- 6** Click the "Add" button.
- 7** Enter the name of the secondary meter in the "Name" input field.
- 8** Enter the previously assigned address in the "Modbus address" input field.
- 9** Add meter description.
- 10** Click the   button to save the settings.

The Fronius Smart Meter TS is configured as a secondary meter.

# Fronius GEN24 inverter

## General

**IMPORTANT!** Settings under the "Device configuration" menu item are only to be made by trained and qualified personnel!

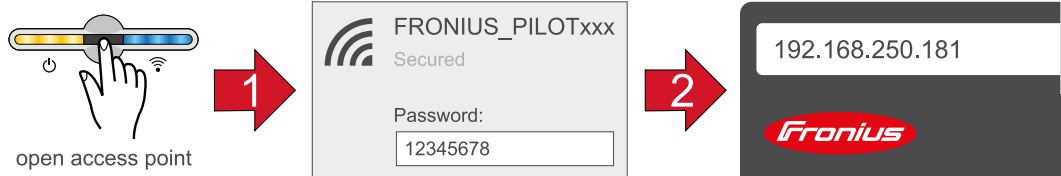
The service password must be entered in order to access the "Device configuration" menu item.

Three-phase or single-phase Fronius Smart Meter TS can be used. In both cases, the selection is made under the "Components" menu area. The meter type is determined automatically.

A primary meter and several secondary meters can be selected. The primary meter needs to be configured first before a secondary meter can be selected.

## Installation using the web browser

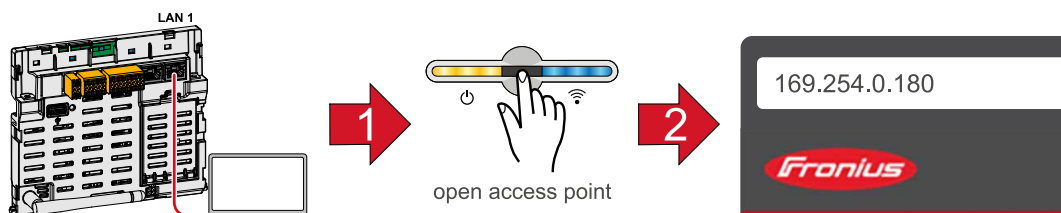
### WLAN:




- 1 Open the access point by touching the sensor once → Communication LED: flashes blue.
- 2 Establish the connection to the inverter in the network settings (the inverter is displayed with the name "FRONIUS\_PILOT" and the serial number of the device).
- 3 Password: enter 12345678 and confirm.  
**IMPORTANT!**  
To enter the password on a Windows 10 operating system, the link "Connect using a security key instead" must first be activated to establish a connection with the password: 12345678.
- 4 In the browser address bar, enter and confirm the IP address 192.168.250.181. The installation wizard is opened.
- 5 Follow the installation wizard in the individual sections and complete the installation.
- 6 Add system components in Solar.web and start up the PV system.

The network wizard and the product setup can be carried out independently of each other. A network connection is required for the Solar.web installation wizard.

### Ethernet:



- 1 Establish a connection to the inverter (LAN1) with a network cable (CAT5 STP or higher).

- 2] Open the access point by touching the sensor once  → Communication LED: flashes blue.
- 3] In the browser address bar, enter and confirm IP address 169.254.0.180. The installation wizard is opened.
- 4] Follow the installation wizard in the individual sections and complete the installation.
- 5] Add system components in Solar.web and start up the PV system.

The network wizard and the product setup can be carried out independently of each other. A network connection is required for the Solar.web installation wizard.

### Configuring the Fronius Smart Meter TS as the primary meter

- 1] Access the inverter website.
  - Open the web browser.
  - In the address bar of the browser, enter the IP address (IP address for WLAN: 192.168.250.181, IP address for LAN: 169.254.0.180) or the host and domain name of the inverter and confirm.
  - The inverter website is displayed.
- 2] Click the "Device configuration" button.
- 3] Log in to the login area with the "Technician" user and the technician password.
- 4] Access the "Components" menu area.
- 5] Click the "Add component" button.
- 6] In the "Position" drop-down list, set the position of the meter (feed-in point or consumption point). For more information on the position of the Fronius Smart Meter TS, see [Positioning](#) on page 13.
- 7] Click the "Add" button.
- 8] Click the "Save" button to save the settings.

The Fronius Smart Meter TS is configured as a primary meter.

### Configuring the Fronius Smart Meter TS as a secondary meter

- 1] Access the inverter website.
  - Open the web browser.
  - In the address bar of the browser, enter the IP address (IP address for WLAN: 192.168.250.181, IP address for LAN: 169.254.0.180) or the host and domain name of the inverter and confirm.
  - The inverter website is displayed.
- 2] Click the "Device configuration" button.
- 3] Log in to the login area with the "Technician" user and the technician password.
- 4] Access the "Components" menu area.
- 5] Click the "Add component" button.
- 6] In the "Position" drop-down list, select the meter type (producer/load meter).
- 7] Enter the previously assigned address in the "Modbus address" input field.
- 8] Enter the name of the meter in the "Name" input field.
- 9] In the "Category" drop-down list, select the category (producer or load).
- 10] Click the "Add" button.
- 11] Click the "Save" button to save the settings.

The Fronius Smart Meter TS is configured as a secondary meter.

# Technical data

**Technical data**

**Modbus transmission speed:** 9600 baud

**Parity bit:** none

**Software version:**

- Fronius Datamanager 2.0 (from version 3.16.1 onwards)
- Fronius Symo Hybrid (from version 1.16.1 onwards)

<b>Measuring input</b>	
Nominal voltage (1-phase) Operating range	230 V 161 - 276 V
Self-consumption - voltage path (max. voltage)	≤ 8 VA
Nominal frequency Tolerance	50 - 60 Hz 45 - 65 Hz
Nominal current, I <sub>b</sub>	5 A
Maximum current, I <sub>max</sub>	100 A
Starting current	40 mA
Short-time overload (EN IEC 62053-21, EN IEC 62053-23)	30 I <sub>max</sub> / 0.001 s
Self-consumption - current path (max. current)	≤ 1 W
Power factor Operating range (EN IEC 62053-21, EN IEC 62053-23)	cosφ 0.5 ind - 0.8 cap,
Current distortion factor	In acc. with EN 62053-21

<b>Data output</b>	
<b>RS485 communication</b> Electrically isolated from measuring input	
Standard	RS485 - 3 conductors
Transmission	Serial, asynchronous
Protocol	Compatible with Modbus RTU
<b>Addresses</b>	1 - 255
Number of bits	8
Stop bit	1
<b>Parity bit</b>	None - odd - even
<b>Baud rate</b>	9600, 19200 bit/s
Response time	≤ 200 ms

<b>Insulation (EN IEC 62052-11, EN IEC 62053-21)</b>	
Installation category	III
Pollution degree	2

<b>Insulation (EN IEC 62052-11, EN IEC 62053-21)</b>	
Insulation voltage	4000 VAC RMS (1 min)

<b>Electromagnetic compatibility</b>	
Emission test	In acc. with EN IEC 62052-11, EN 50470-3
Immunity test	In acc. with EN IEC 62052-11, EN 50470-3

<b>Operating conditions</b>	
Reference temperature	25 °C (±5 °C)
Operating range	-25 - 65 °C
Temperature limit for storage and transport	-30 - 80 °C
Mechanical environment Electromechanical environment	M2 E2

<b>Housing</b>	
Housing	2 modules according to DIN 43880
Sealable housing/terminal cover	
Connection	Screw connection
Mounting	Can be snapped onto 35 mm DIN rail
Housing material	Noryl, self-extinguishing
Degree of protection (EN 60529)	IP51 housing, IP20 connections
Weight	160 grams

<b>Terminals</b>	
<b>Measuring input</b>	
Wire	max. 25 mm <sup>2</sup>
Recommended torque	max. 2.8 Nm

<b>Data output</b>	
Wire	min 0.05 mm <sup>2</sup>
Recommended torque	max. 0.5 Nm

### **Fronius manufacturer's warranty**

Detailed, country-specific warranty terms are available on the internet:  
[www.fronius.com/solar/warranty](http://www.fronius.com/solar/warranty)

To obtain the full warranty period for your newly installed Fronius inverter or storage system, please register at: [www.solarweb.com](http://www.solarweb.com).



**FRONIUS INTERNATIONAL GMBH**

Froniusstraße 1  
A-4643 Pettenbach  
AUSTRIA  
contact@fronius.com  
**www.fronius.com**

Under **www.fronius.com/contact** you will find the addresses  
of all Fronius Sales & Service Partners and locations



Find your  
spareparts online



spareparts.fronius.com