

Universal-Clamp

GS Rail System with Click-in Technology

GS Universal Clamp

Article No. UC-GS

Product properties

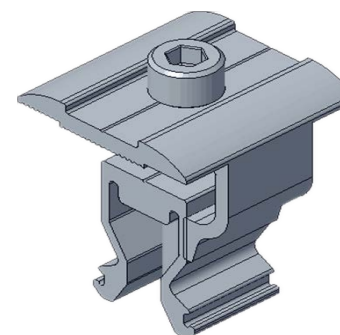
Material	AL6005-T5 and SUS304
Dimensions	40x40 mm
Weight	0.070 kg
Colour	Mill or Black
Pre-assembled	Yes

Application properties

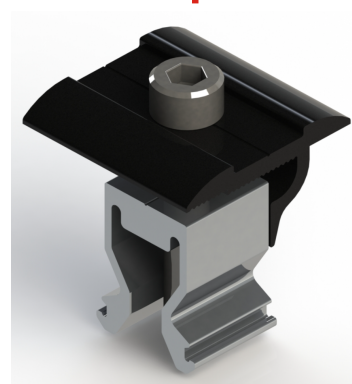
Function	Mid and End Clamp
Max. fastening torque	14.5 Nm
Clamping range	35 - 46 mm Panels
Type of modules	Framed Modules
Drive	Hexagon Socket M8
Can be used with Rail system	GS Rail

Package

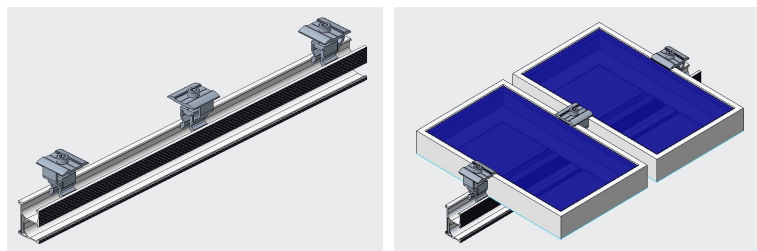
Package Detail	320 pcs/ctn
----------------	-------------



One Clamp For All



Installation



Dealer information