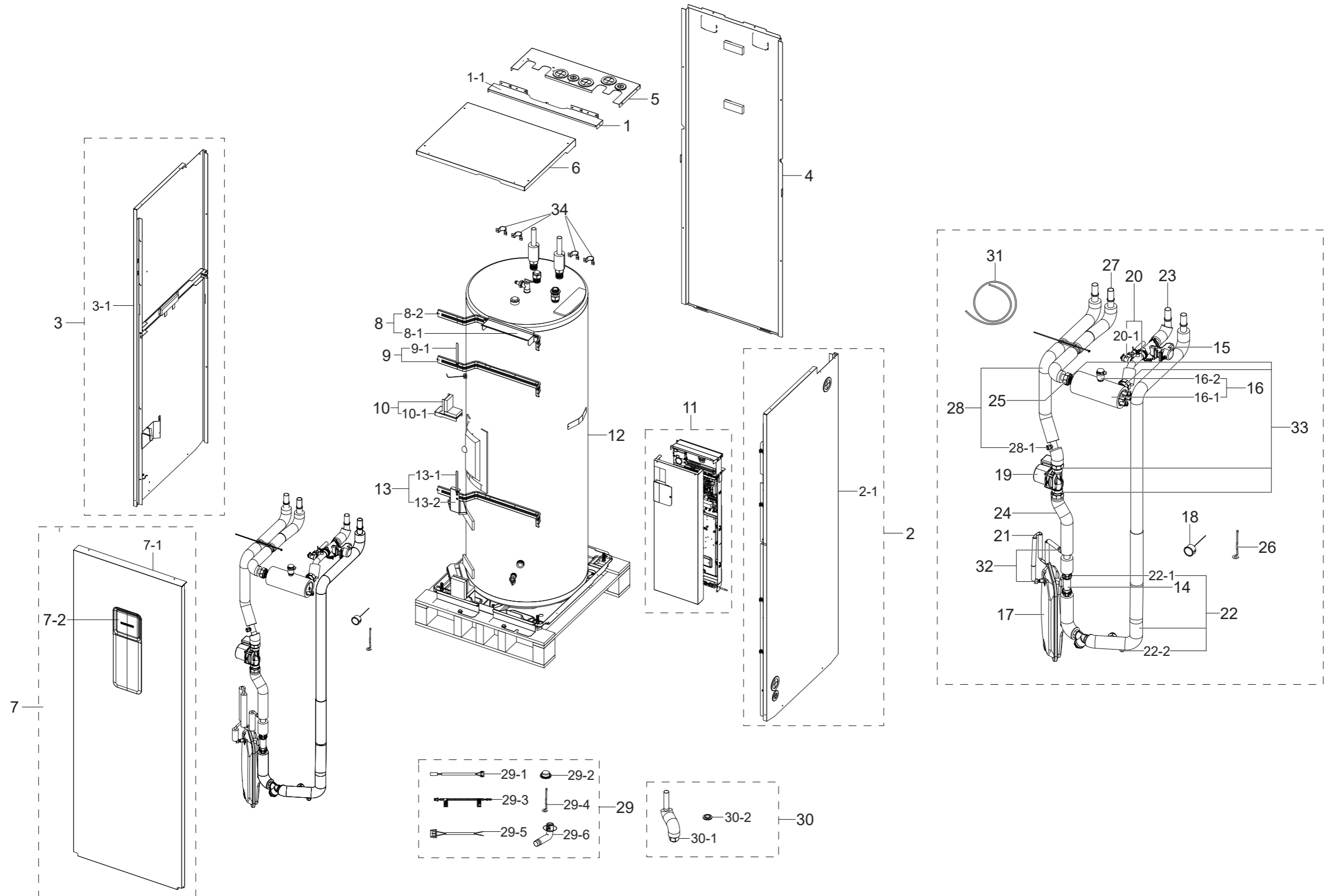


Exploded Views and Parts List

■ AE260CNWMEG/EU Ver.01

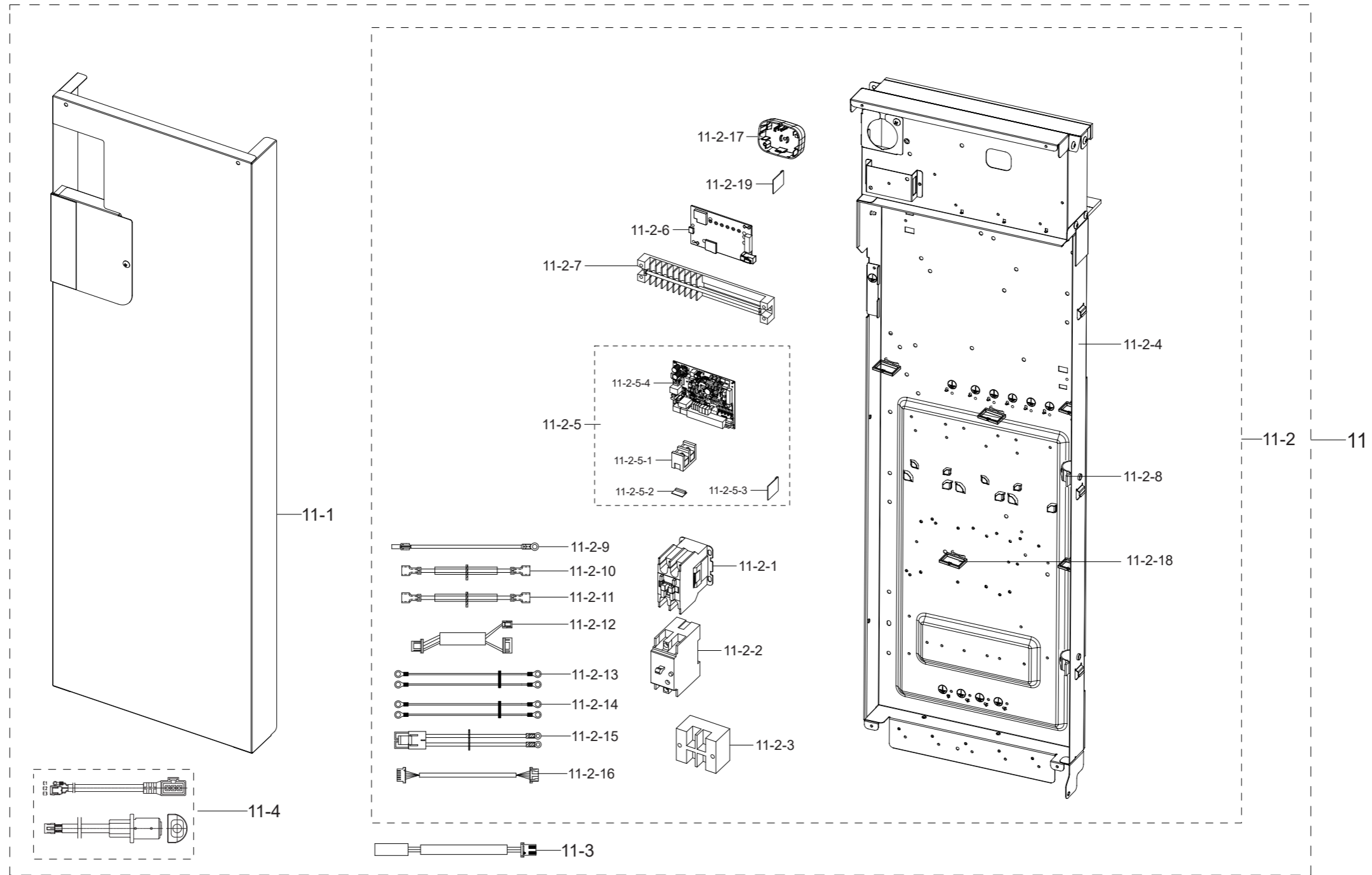


Parts List

| No. | Material Code | Description | Specification | SA/SNA | Q'TY |
|------|---------------|------------------------|--------------------------------|--------|------|
| 1 | DB90-11427A | ASSY CABI TOP-MID | EHS TANK | SA | 1 |
| 1-1 | DB64-03455A | CABINET TOP-MID | EHS TANK,EGI-SECC,T0.8,D | SNA | 1 |
| 2 | DB90-11391A | ASSY CABI SIDE-RH | EHS TANK | SA | 1 |
| 2-1 | DB90-11392A | ASSY CABI SIDE-RIGHT | EHS TANK | SNA | 1 |
| 3 | DB90-11393A | ASSY CABI SIDE-LF | EHS TANK | SA | 1 |
| 3-1 | DB90-11394A | ASSY CABI SIDE-LEFT | EHS TANK | SNA | 1 |
| 4 | DB90-11395A | ASSY CABI BACK | EHS TANK | SA | 1 |
| 5 | DB90-11396A | ASSY CABI TOP | EHS TANK | SA | 1 |
| 6 | DB90-11397A | ASSY CABI TOP-FRONT | EHS TANK | SA | 1 |
| 7 | DB90-11398A | ASSY CABI FRONT | EHS TANK | SA | 1 |
| 7-1 | DB90-11399A | ASSY CABI FRONT-UP | EHS TANK | SNA | 1 |
| 7-2 | DB63-04122A | COVER-SUB | EHS TANK,ABS,T2.5,W265,L154,-, | SA | 1 |
| 8 | DB90-11407A | ASSY BRACKET-BODY | EHS TANK | SA | 1 |
| 8-1 | DB61-07374A | BRACKET VALVE | EHS TANK,GI-SGCC,T1.2,W229 | SNA | 1 |
| 8-2 | DB61-07257A | BRACKET CONTROL | EHS TANK,GI-SGCC,T1.6,W1 | SNA | 1 |
| 9 | DB90-11408A | ASSY BRACKET-FILTER | EHS TANK | SA | 1 |
| 9-1 | DB61-07257A | BRACKET CONTROL | EHS TANK,GI-SGCC,T1.6,W1 | SNA | 1 |
| 10 | DB90-11411A | ASSY BRACKET-PUMP | EHS TANK | SA | 1 |
| 10-1 | DB61-07395A | BRACKET-SUPPORT | EHS TANK,GI-SGCC,T1.2,W5 | SNA | 1 |
| 11 | DB93-17764A | ASSY CONTROL IN PARTS | AE260CNWMEG/EU | SNA | 1 |
| 12 | DB94-07894B | ASSY WATER TANK PARTS | EHS TANK WIFI | SNA | 1 |
| 13 | DB90-11420A | ASSY BRACKET-COVER | EHS TANK | SA | 1 |
| 13-1 | DB61-07257A | BRACKET CONTROL | EHS TANK,GI-SGCC,T1.6,W1 | SNA | 1 |
| 13-2 | DB61-07393A | BRACKET COVER | EHS TANK,GI-SGCC,T1.6,W74, | SNA | 1 |
| 14 | DB32-00264A | SENSOR PRESSURE | FLOW,5V,1.0MPa | SA | 1 |
| 15 | DB62-12787A | VALVE STEP | AC230V,MODULE,3000mm | SA | 1 |
| 16 | DB95-05968A | ASSY HEATER PARTS | 2KW HEATER ASSY (THERM | SNA | 1 |
| 16-1 | DB47-00116A | HEATER SHEATH | AC230V,2000W,INCOLOY800,L2 | SA | 1 |
| 16-2 | DB96-13493B | ASSY VALVE | BSPP3/8", | SA | 1 |
| 17 | DB96-13802A | ASSY-EXPANSION VESSEL | PURE WATER,G3/8",A | SA | 1 |
| 18 | DB96-13830A | ASSY-MANOMETER | 0~4MPa,BOURDON,G1/4B,STRE | SA | 1 |
| 19 | DB96-21145D | ASSY WATER PUMP | HEAD 9m,230V, 50Hz/60Hz, | SA | 1 |
| 20 | DB96-24710A | ASSY TUBE WATER-VALVE | EHS TANK | SA | 1 |
| 20-1 | DB96-13494B | ASSY VALVE | PF 1/2", 2.9bar | SA | 1 |
| 21 | DB96-24711A | ASSY TUBE WATER-MIDDLE | EHS TANK | SA | 1 |
| 22 | DB96-24712A | ASSY TUBE WATER-BODY | EHS TANK | SA | 1 |
| 22-1 | DB60-00563A | FASTENER | EHS TANK,Cu,FLARE NUT 1" | SNA | 1 |
| 22-2 | DB60-00564A | FASTENER-NUT-3/8" | EHS TANK,Cu | SNA | 1 |
| 23 | DB96-24713A | ASSY TUBE WATER-UP | EHS TANK | SA | 1 |

| No. | Material Code | Description | Specification | SA/SNA | Q'TY |
|------|---------------|-------------------------|-----------------------------------|--------|------|
| 24 | DB96-24714A | ASSY TUBE WATER-DOWN | EHS TANK | SA | 1 |
| 25 | DB60-00565A | FASTENER-ETC | EHS TANK,STS304,SUS304 3/4H | SA | 5 |
| 26 | DB81-00635A | SPRING ETC-SENSOR | DVM-SYSTEM,STS304,ID2. | SA | 1 |
| 27 | DB96-24715A | ASSY TUBE WATER-IN | EHS TANK,MONO | SA | 1 |
| 28 | DB96-24716A | ASSY TUBE WATER-OUT | EHS TANK,MONO | SA | 1 |
| 28-1 | DB60-00564A | FASTENER-NUT-3/8" | EHS TANK,Cu | SNA | 1 |
| 29 | DB97-32913A | ASSY ACCESSORY | EHS TANK TDM+ | SNA | 1 |
| 29-1 | DB32-00213A | SENSOR TEMP | MIXING_VALVE,15000,10kohm,±1 | SA | 1 |
| 29-2 | DB63-10355C | SEAL DRAIN | -,CHLOROPRENE RUBBER,-,T2,W24 | SA | 2 |
| 29-6 | DB67-20011A | DRAIN-PLUG OUT | ASH-1814ER,PP,NATURAL | SA | 1 |
| 29-4 | DB81-00635A | SPRING ETC-SENSOR | DVM-SYSTEM,STS304,ID2. | SA | 3 |
| 29-5 | DB93-13255A | ASSY CONNECTOR WIRE | 2,2464,24,BLK,SMH250 | SA | 1 |
| 29-3 | DB95-04396A | ASSY THERMISTOR-EVA OUT | AC,250,10,±3,25, | SA | 2 |
| 30 | DB97-32397A | ASSY ACCESSORY | EHS TANK | SNA | 1 |
| 30-2 | DB63-04197A | GASKET | EHS TANK INTEGRATED,EPDM,-,T2.7,B | SA | 1 |
| 30-1 | DB96-24724A | ASSY TUBE WATER-WATER | EHS TANK,Secondary | SNA | 1 |
| 31 | DB67-01698B | HOSE DRAIN | EHS TANK,EPDM,L500,NATURAL,L2 | SA | 2 |
| 32 | DB73-00559A | RUBBER-PACKING ID8 | NH160PHXEA,EPDM | SA | 2 |
| 33 | DB73-00560A | RUBBER-PACKING ID30 | NH160PHXEA,EPDM | SNA | 4 |
| 34 | DB61-07401A | BRACKET TUBE | EHS TANK,GI-SGCC,T1,W20 | SA | 4 |

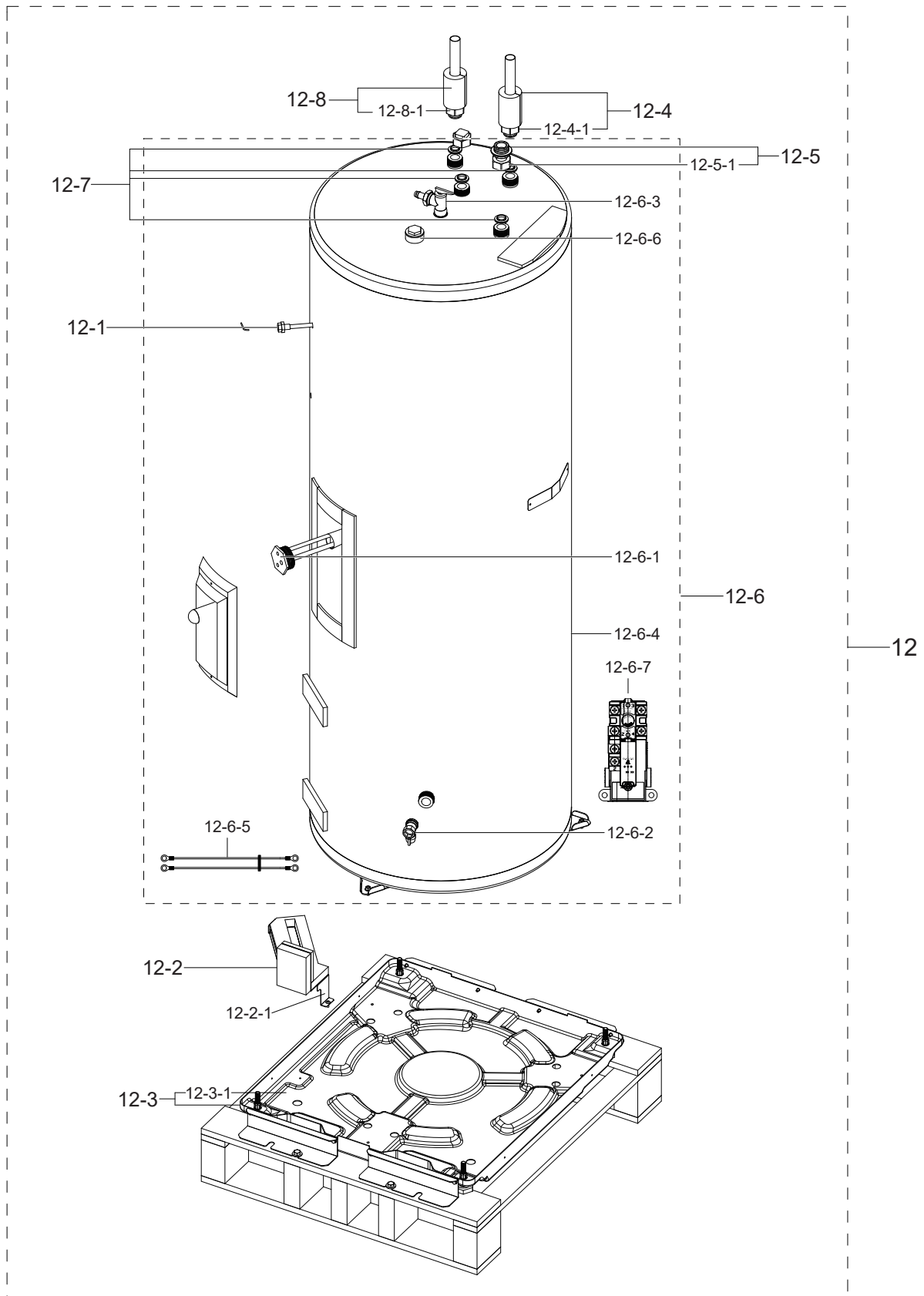
■ Control



Parts List

| No. | Material Code | Description | Specification | SA/SNA | Q'TY |
|----------|---------------|--|------------------------------------|--------|------|
| 11 | DB93-17764A | ASSY CONTROL IN PARTS | AE260CNWMEG/EU | SNA | 1 |
| 11-1 | DB90-11402A | ASSY COVER CONTROL | EHS TANK | SA | 1 |
| 11-2 | DB92-05467A | ASSY PBA KIT-IN MODULE | INDOOR,EHS WIFI P | SNA | 1 |
| 11-2-1 | DB35-00045A | RELAY | XMC0-252IBBC,208-220V 50Hz, 208-24 | SA | 1 |
| 11-2-2 | DB35-00109B | RELAY-ELCB | SG-52NH, 30A,220~240V 50/60Hz | SA | 1 |
| 11-2-3 | DB37-00038A | TERMINAL BLOCK | DATA 60A-2P-M,MELAMINE,60 | SA | 1 |
| 11-2-4 | DB90-11403B | ASSY CASE CONTROL | EHS TANK WIFI | SNA | 1 |
| 11-2-5 | DB92-05469A | ASSY PCB MAIN-IN | MAIN,EHS WIFI PJT,242X1 | SA | 1 |
| 11-2-5-1 | DB37-00026A | TERMINAL BLOCK | DAPC 3013-2P-M,MELAMINE,3 | SA | 2 |
| 11-2-5-2 | DB92-02793A | ASSY FUNCTION | COMM,DVM NASA_CST,Standard | SA | 1 |
| 11-2-5-3 | DB93-12483B | ASSY PCB SUB | SUB,E2P PBA,UB-S,20*25,lock | SA | 1 |
| 11-2-5-4 | DB94-09503A | ASSY PCB AUTO-IN | MAIN,EHS WIFI PJT,242X1 | SNA | 1 |
| 11-2-6 | DB92-04747A | ASSY MODULE | EHS CONVERTER,EHS TANK INTEG | SA | 1 |
| 11-2-7 | DB93-17094A | ASSY CONNECTOR WIRE- TERMINAL BLOCK | 20,20 | SA | 1 |
| 11-2-8 | DB61-00996A | HOLDER-LOCK CLAMP A | W-P/J,PA66,-,-,-,N | SC | 2 |
| 11-2-9 | DB93-08805A | ASSY CONNECTOR WIRE- EARTH | 1,1015,18,YEL/ | SA | 1 |
| 11-2-10 | DB93-17091A | ASSY CONNECTOR WIRE- POWER | 1,1015,18,BRN, | SA | 1 |
| 11-2-11 | DB93-17092A | ASSY CONNECTOR WIRE- POWER | 1,1015,18,SKY, | SA | 1 |
| 11-2-12 | DB93-17095A | ASSY CONNECTOR WIRE- DC SIGNAL | 4,2095,24, | SA | 1 |
| 11-2-13 | DB93-17098A | ASSY CONNECTOR WIRE- POWER | 2,1015,12,SKY, | SA | 1 |
| 11-2-14 | DB93-17098B | ASSY CONNECTOR WIRE- POWER | 2,1015,12,SKY, | SA | 2 |
| 11-2-15 | DB93-17099A | ASSY CONNECTOR WIRE- POWER | 2,1015,18,BRN, | SA | 1 |
| 11-2-16 | DB93-17392E | ASSY CONNECTOR WIRE- DC SIGNAL | 5,2095,26, | SA | 1 |
| 11-2-17 | DB61-07898A | CASE PCB-BOTTOM | EHS TANK WIFI,ABS,T1.5,L | SA | 1 |
| 11-2-18 | DB71-00133A | WIRE-SADDLE | DVM PLUS 3,NYLON 66 | SA | 5 |
| 11-2-19 | 4709-003135 | W-LAN MODULE | CCAR210R,SDA8700CSM,IEEE802 | SA | 1 |
| 11-3 | DB32-00269A | SENSOR TEMP | Mono,L2800,10kohm,3%,25C,7ph | SA | 1 |
| 11-4 | DB93-17717A | ASSY CONNECTOR WIRE | 5,XINHU CABLE,22,BRN | SA | 1 |

■ Tank



■ Parts List

| No. | Material Code | Description | Specification | SA/SNA | Q'TY |
|--------|---------------|---------------------------|-----------------------------------|--------|------|
| 12 | DB94-07894B | ASSY WATER TANK PARTS | EHS TANK WIFI | SNA | 1 |
| 12-1 | DB32-00295A | SENSOR TEMP | L2100,200kohm,3%,25C,6phi,AC | SA | 1 |
| 12-2 | DB90-11389A | ASSY BRACKET PHE | AE260RNWSGG/EU,EHS | SA | 1 |
| 12-2-1 | DB61-07364A | BRACKET-BODY | EHS TANK,GI-SGCC,T1.2,W83,N | SA | 1 |
| 12-3 | DB90-11390A | ASSY BASE OUT | AE260RNWSGG/EU,EHS | SA | 1 |
| 12-3-1 | DB90-11401A | ASSY CABI BASE | EHS TANK | SA | 1 |
| 12-4 | DB96-24706A | ASSY TUBE WATER | EHS TANK,IN/OUT_260L | SA | 1 |
| 12-4-1 | DB60-00563A | FASTENER | EHS TANK,Cu,FLARE NUT 1" | SNA | 1 |
| 12-5 | DB96-24708A | ASSY TUBE WATER-JUMP | EHS TANK,260L | SA | 1 |
| 12-5-1 | DB60-00563A | FASTENER | EHS TANK,Cu,FLARE NUT 1" | SNA | 1 |
| 12-6 | DB96-24742A | ASSY TUBE TANK | EHS TANK,ASSY WATER TANK_ | SA | 1 |
| 12-6-1 | DB47-00084A | HEATER SHEATH | AC230V,3000W,INCOLOY800,L1 | SA | 1 |
| 12-6-7 | DB47-00085A | THERMOSTAT | AC120/277V,40A,80C/90C,49C~82 | SA | 1 |
| 12-6-2 | DB62-12806A | VALVE SERVICE-BALL | BRASS,R410A,19.05mm,S | SA | 1 |
| 12-6-6 | DB67-01702A | NIPPLE | EHS TANK,A6061,Anode bar | SA | 1 |
| 12-6-5 | DB93-17098C | ASSY CONNECTOR WIRE-POWER | 2,1015,12,SKY, | SA | 1 |
| 12-6-3 | DB96-24743A | ASSY VALVE | 7bar | SA | 1 |
| 12-6-4 | DB96-24744A | ASSY TUBE TANK-WATER | EHS TANK,WATER TANK | SNA | 1 |
| 12-7 | DB63-04197A | GASKET | EHS TANK INTEGRATED,EPDM,-,T2.7,B | SA | 4 |
| 12-8 | DB96-24706B | ASSY TUBE WATER | EHS TANK WIFI | SA | 1 |
| 12-8-1 | DB60-00563A | FASTENER | EHS TANK,Cu,FLARE NUT 1" | SNA | 1 |