

# Nexa

## Bif

MEPV 108 cells — Eurener PV Module

> **430Wp**



### N-type cell

Higher resistance to LID and LeTID



### TOPCon

Technology to increase cell efficiency



### Bifacial cell

Improved energy yield



### Easy to handle

Comfortable installation thanks to an optimized area size



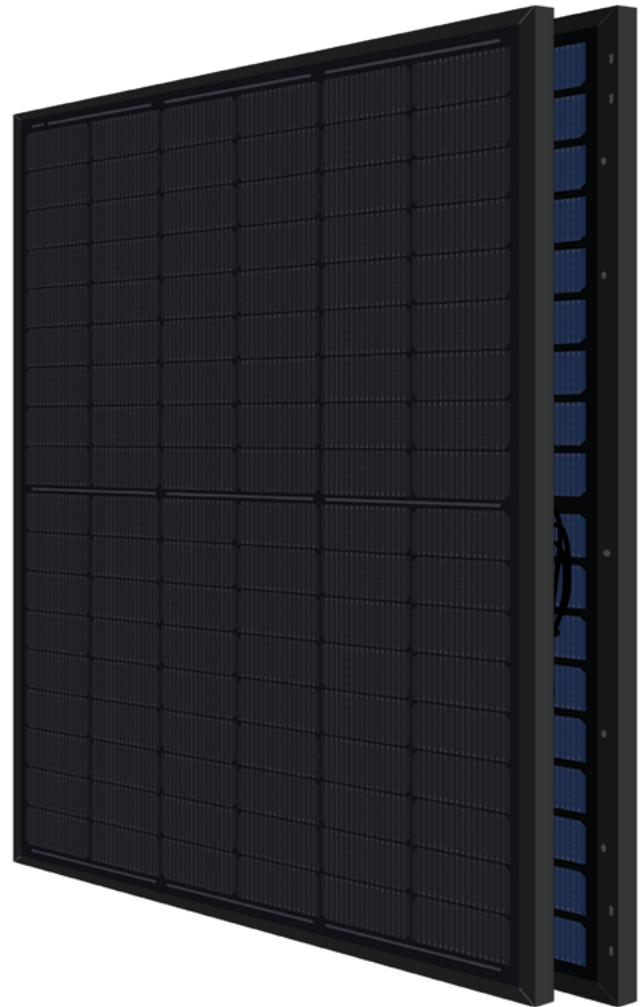
### Better temperature coefficient

Minimized thermal losses, improved efficiency



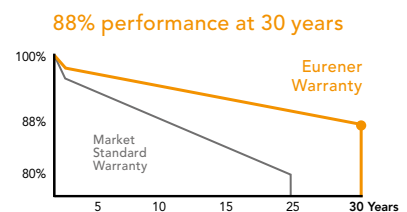
### Sustainable product

High percentage of recyclable materials



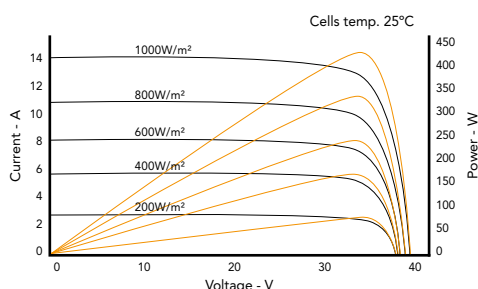
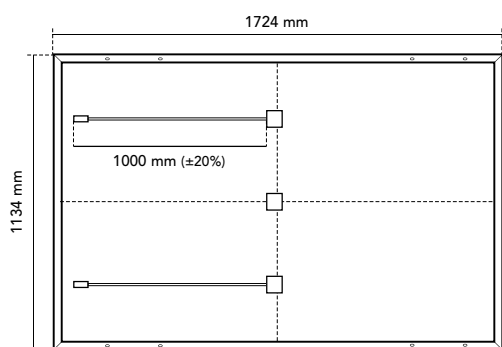
**30 Years**  
Product Warranty

**30 Years**  
Performance Warranty  
Linear Warranty





# Eurener MEPV 108 — NEXA Bif 430Wp



## Mechanical Specification

Solar cells	108 (6 x 18), N-Type bifacial monocrystalline silicon cells
Front Glass	2mm anti-reflective surface solar glass
Back Glass	2mm solar glass
Frame	Black anodized aluminium
Junction Box	IP68, 3 by-pass diodes
Connector	Original MC4-Evo 2
Cable	1000 mm (±20%) length and 4 mm <sup>2</sup> section
Dimension	1724 x 1134 x 30 mm (±1%)
Area	1,96 m <sup>2</sup>
Weight and packaging	23,4 kg, 962 pcs-truck

## Temperature Coefficients

Temperature coefficient of Isc ( $\alpha$ )	0,045 %/°C
Temperature coefficient of Voc ( $\beta$ )	-0,275 %/°C
Temperature coefficient of Pmax ( $\gamma$ )	-0,29 %/°C
Temperature range	-40 °C ~ +85 °C
Nominal operating cell temperature (NOCT)	45 ± 2 °C

### Black

### MEPV 430

STC: 1000 W/m<sup>2</sup>, module temperature 25°C, AM 1,5

Nominal power. Pmax	430 Wp
Module efficiency	22,01 %
Short-circuit current (Isc)	14,26 A
Open-circuit voltage (Voc)	38,42 V
Maximum power current (Imp)	13,52 A
Maximum power voltage (Vmp)	31,82 V

NOCT: 800 W/m<sup>2</sup>, ambient temperature 20°C, AM 1,5

Nominal power. Pmax	329,33 W
Short-circuit current (Isc)	11,47 A
Open-circuit voltage (Voc)	36,88 V
Maximum power current (Imp)	10,88 A
Maximum power voltage (Vmp)	30,27 V

Electrical characteristics with 10% rear side power gain

Nominal power. Pmax	473,00 W
Short-circuit current (Isc)	15,63 A
Open-circuit voltage (Voc)	38,49 V
Maximum power current (Imp)	14,82 A
Maximum power voltage (Vmp)	31,91 V

Operating parameters

Maximum voltage	1000 - 1500 V
Maximum series fuse rating. Ir	25 A
Power output tolerance	0 - +3%
Voc and Isc tolerance	±3%
Fire rating	Class A (UL 790)
Protection class	Class II (IEC 61140)
Hail resistance	Ø 25mm at 23 m/s (IEC 61215)
Mechanical loads	Front load 5400 Pa, Back load 2400 Pa

NOTE: Read the instruction manual of this product and follow the indications STC. Values are valid for: 1000W/m<sup>2</sup>, AM 1,5 and cells temperature of 25°C. Measurement tolerance +/-3% (AAA Solar simulation -IEC 60.904-9-). All the information of this brochure may be amended without notice by Eurener.

Eurener\_MEPV 108\_NEXA Bif\_430Wp\_EN\_JAN2024