

# Three Phase Whole Current AMR Meter



**The emlite EMP1.ax 100A Three Phase AMR metering range offers high quality accurate meters suitable for direct connected installations. The EMP1 range of meters are ideal for large residential, Solar PV, commercial and light industrial applications.**

## Features -

- Fully MID/MIR Ofgem and BSC601 approved
- Remote Readings - MeterOnline SIM fitted
- Import and Export
- Power Quality Displays - Volts, Current, Power etc.
- Pulse outputs



The EMP1.ax is an AMR meter intended for large residential, commercial and light industrial use. Ideal for micro generation application as well as for billing purposes the EMP1 range is one of the most up to date and flexible meters available.

- A100A 3 Phase - Accuracy Class A or B (MID) [active energy]
- BSC601 CoP10 Elexon approved version
- Dual tariff option
- Pulse output conforms to IEC 62053-31.
- Extended terminal cover as standard – other options available, Short and Extended Plus, with an optional finger guard for main terminals
- Clear easy to read LCD shows kWh reading, supply parameters and communications status.
- Solid Brass terminals with slotted screws for reliable installation
- Remote readings via the mobile networks, multi-network MeterOnline SIM fitted.
- Internal aerial as standard – can be unplugged to connect high gain aerial for locations with a very low mobile signal.
- Robust and solid construction



Supplied by: J W Smart Meters Ltd, 1 Church Lane, Normanton, West Yorkshire, WF6 2DE.

Email: sales@smartelectricitymeters.co.uk Tel: 01924 891049 Fax: 01924 220846

# Three Phase Whole Current Meter

**EMP1.ax**

## Technical Data - Meter

### Electrical

Voltage	Nominal voltage	3 x 230v
	Voltage withstand	400V continuously
Frequency	Nominal frequency	50Hz, variation $\pm 5\%$
Current	Basic current (Iref)	5, 10, and 20*
	Maximum (Imax)	100A

### Metrology

Accuracy	Active energy	Class B, to EN 50470 1-3*
	Reactive energy	Class 2, to IEC 62053-23

### Environmental

Temperature Range -25°C to +55°C

Ingress protection IP54, to BS EN 60529

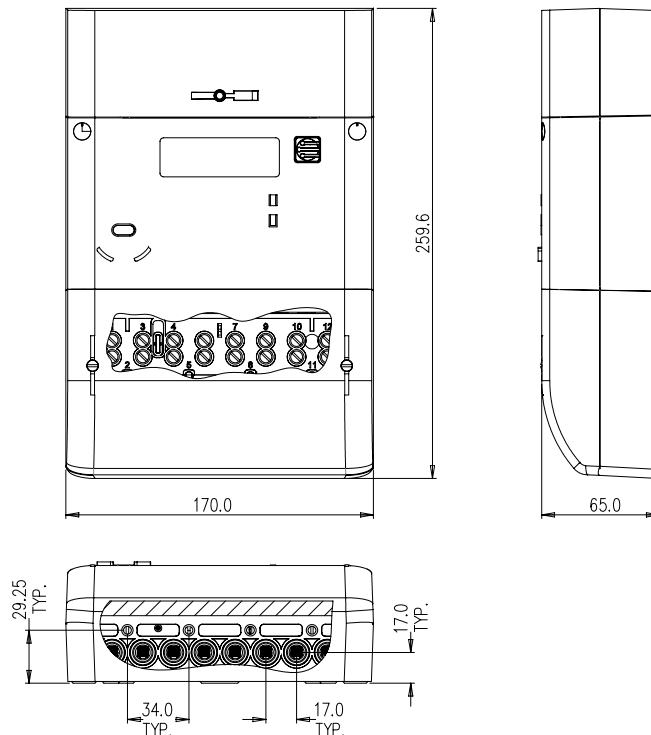
### Physical

Terminal arrangement DIN43857-Part 2, fixing centres of  $150 \pm 1\text{mm}$

Main Terminal size  $8.2\text{mm}\varnothing \pm 0.2$

Terminal Construction Solid brass

### Dimensions



Supplied by: J W Smart Meters Ltd, 1 Church Lane, Normanton, West Yorkshire, WF6 2DE.

Email: sales@smartelectricitymeters.co.uk Tel: 01924 891049 Fax: 01924 220846