

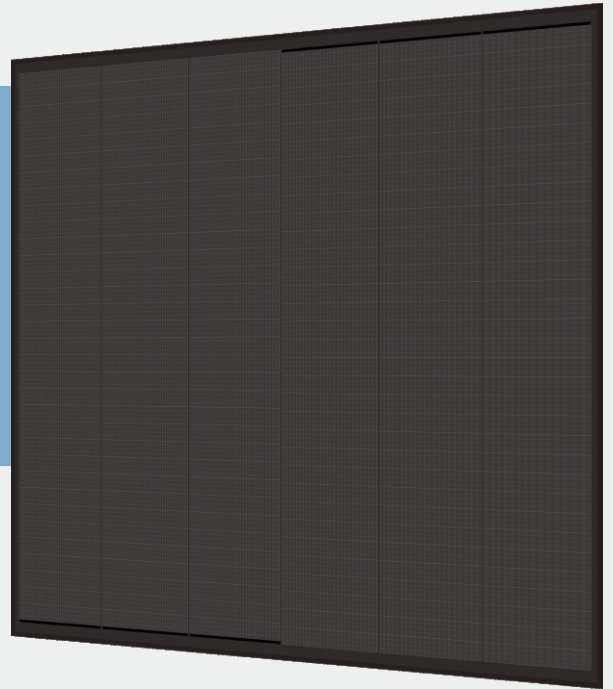


PERLIGHT SOLAR
Powering Possibilities

PLM-200MA-192

200W DELTA SERIES

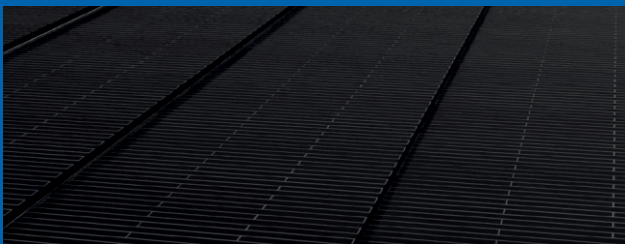
Monocrystalline PERC solar module



5 YEAR WORKMANSHIP WARRANTY

5 YEAR LINEAR POWER OUTPUT WARRANTY

✓ ZERO BUSBAR RIBBON TECHNOLOGY



✓ **NO CELL BUSBAR RIBBONS**

✓ **HIGH DENSITY LAYOUT**

✓ **INCREASED CELL SURFACE AREA**

✓ **GREENER TO THE ENVIRONMENT**

Fluorine-free and low Pb levels, 60% less than conventional modules. Saving 0.3kg of metal ribbon per module by removing cell busbars

✓ **BEAUTIFUL APPEARANCE**

Ultra-sleek with consistent tone provides a modernised look

✓ **PERFORMANCE**

Outperforms conventional half-cell technology under shaded conditions, lower operating temperature and more

✓ **SAFETY AND RELIABILITY**

Lower operating temperature and exceptional performance under mechanical and thermal stress dramatically reduces risks of micro-cracks and hot-spots, improving performance and prolonging module life

Electrical Characteristics at Standard Test Conditions(STC)

Module Type: PLM-200MA-192	200
Maximum Power-Pm [W]	200
Open Circuit Voltage-Voc [V]	43.68
Short Circuit Current-Isc [A]	5.95
Maximum Power Voltage-Vm [V]	35.22
Maximum Power Current-Im [A]	5.68
Module Efficiency-η [%]	19.26

Electrical Characteristics at NMOT

Maximum Power-Pm [W]	151.1
Open Circuit Voltage-Voc [V]	40.89
Short Circuit Current-Isc [A]	4.76
Maximum Power Voltage-Vm [V]	32.98
Maximum Power Current-Im[A]	4.59

Note: 1. Standard Test Conditions(STC): Irradiance 1000W/ m²; AM 1.5; ambient temperature 25°C according to EN 60904-3;
2. Nominal Module Operating Temperature (NMOT): Irradiance 800W/ m²; wind speed 1m/s; ambient temperature 20°C.
3. Tolerance of Pm: 0~+5W, Measuring uncertainty of power: ±3%. Performance deviation of Voc [V], Isc[A], Vm[V] and Im[A]: ±3%.

Temperature Characteristics

NMOT	42.3°C(±2°C)
Temperature Coefficient of Voc	-0.27%/°C
Temperature Coefficient of Isc	0.04%/°C
Temperature Coefficient of Pm	-0.34%/°C

Maximum Ratings

Maximum System Voltage [V]	DC 1500/1000 (IEC)
Series Fuse Rating [A]	15
Maximum Surface Load Capacity [Pa]	5400
Temperature Range [°C]	-40 ~ +85
Withstanding Hail	Maximum diameter of 25mm with impact speed of 23 m·s ⁻¹

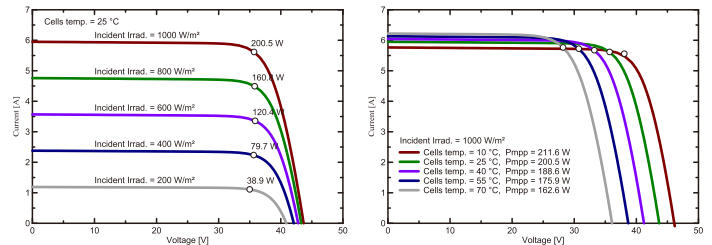
Package

Container	40' HQ
Number of pallets per container	22
Number of modules per container	1320

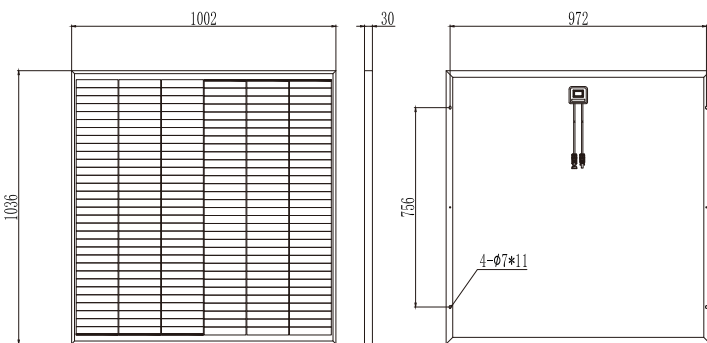
Mechanical Characteristics

Dimensions	1036×1002×30mm (L×W×H)
Weight	12.5kg
Front Glass	Coating tempered glass, 3.2mm
Frame	Anodized aluminum profile
Cells	Mono-crystalline solar cell
Cell Orientation	192 (6*32)
Junction Box	IP65, two diodes
Cable	4mm ² , 900 mm (other lengths available)

I-V curve



Module Diagram



Warranty

5 YEAR WORKMANSHIP WARRANTY

5 YEAR LINEAR POWER OUTPUT WARRANTY



+44 (0)1865 682 584

info@westtech-solar.co.uk

www.westtech-solar.co.uk

Westtech Solar (UK) Ltd
Unit 1, Bobby Fryer Close,
Garsington Road, Oxford,
OX4 6ZN, UK