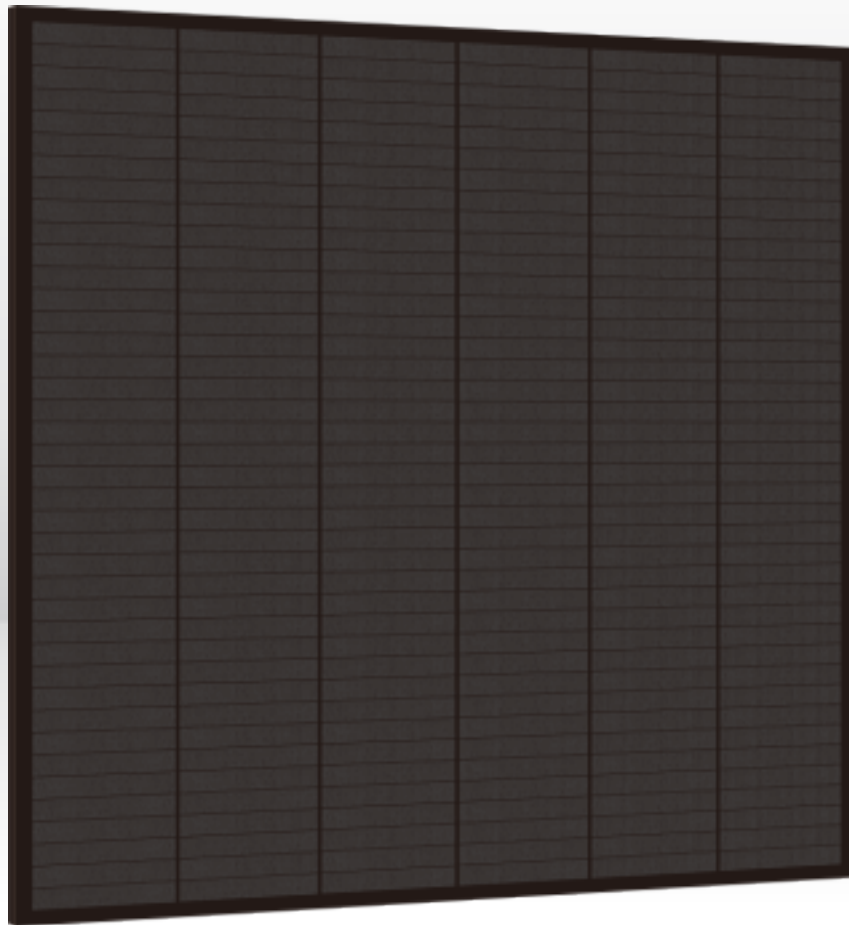




**PERLIGHT**  
smart.black

# PLM-200MA-240 Delta Series

High Efficiency PERC Cells



THE REAL BLACK IN SOLAR  
SLEEK, POWERFUL, STYLISH  
MONOCRYSTALLINE SILICON SOLAR MODULE

# Delta Series

## ELECTRICAL PERFORMANCE

Module type		PLM-200MA-240 Delta Series	
Power output	$P_{max}$	W	200
Power output tolerances	$\Delta P_{max}$	%	0 - 3
Voltage at Pmax	$V_{mpp}$	V	42.12
Current at Pmax	$I_{mpp}$	A	4.75
Open-circuit voltage	$V_{oc}$	V	50.97
Short-circuit current	$I_{sc}$	A	4.97
Solar Module Efficiency	Eff.	%	19.26

STC: 1000W/m<sup>2</sup> irradiance, 25°C cell temperature, AM 1.5g spectrum according to EN 60904-3.

## THERMAL CHARACTERISTICS

Nominal operating cell temperature	NOCT	°C	45±2
Temperature coefficient of Pmax	$\nu$	%/°C	-0.40
Temperature coefficient of Voc	$\beta_{Voc}$	%/°C	-0.30
Temperature coefficient of Isc	$\alpha_{Isc}$	%/°C	0.06
Temperature coefficient of Vmpp	$\beta_{Vmpp}$	%/°C	-0.35

## OPERATING CONDITIONS

Max. system voltage	1000V <sub>DC</sub>
Limiting reverse current	15A
Operating temperature range	-40°C to 85°C
Max. static load front (e.g., snow)	5400Pa
Max. static load back (e.g., wind)	2400Pa
Max. hailstone impact (diameter / velocity)	25mm / 23m/s

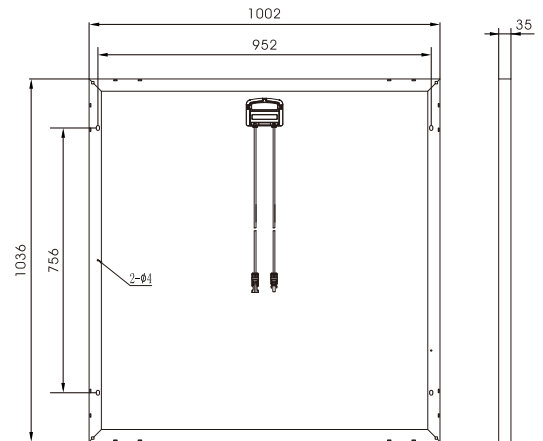
## MECHANICAL CHARACTERISTICS

Front cover (material / thickness)	low-iron tempered glass / 3.2mm
Backsheet (color)	black
Cell (quantity/material/dimensions)	36 / monocrystalline silicon / 158.75×26.45mm
Frame (material / color)	anodized aluminum alloy / black
Junction box (protection degree)	≥IP67
Cables & Plug connectors	900mm / 4mm <sup>2</sup> & MC4 compatible / IP67
Module Dimensions (L / W / H)	1036×1002×35mm
Module Weight	9kg

## PACKING DETAILS

Container	40'HQ
Pieces per pallet	64
Pallets per container	16
Pallet size(L×W×H)	1450×1125×2120mm
Pieces per container	1024

## Module Diagram:



## Electrical Curves:

