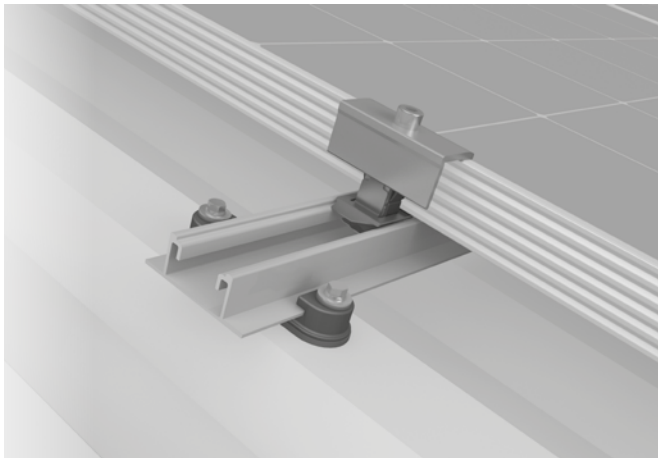




K2 BasicRail System

Only four installations steps required and suitable for high loads. Controlled thermal expansion in rail direction through the floating rail fixation of the BasicClip. The system has general building authority approval (abZ) in Germany. No pre-drilling or time-consuming fixing in the roof substructure is necessary during installation.



Controlled linear expansion

- The floating rail fixation of the BasicClip results in a controlled thermal expansion of the rail.
- No transfer of forces to the roof cladding

System-Highlights

Landscape mounting option

- Landscape mounting is possible with the K2 AddOn
- Seamless module blocks without additional rail layer

RailUp for more yield

- Elevation results in improved ventilation of the modules and thus the possibility for higher yields
- Easy installation of micro-inverters and power optimisers

Mounting on sandwich panels

- BasicRail System suitable for sandwich roofs
- abZ (general building authority approval) for FischerTHERM sandwich elements
- High installation speed of the BasicRail system and direct fastening in the sandwich elements



Further information,
all technical data and
components