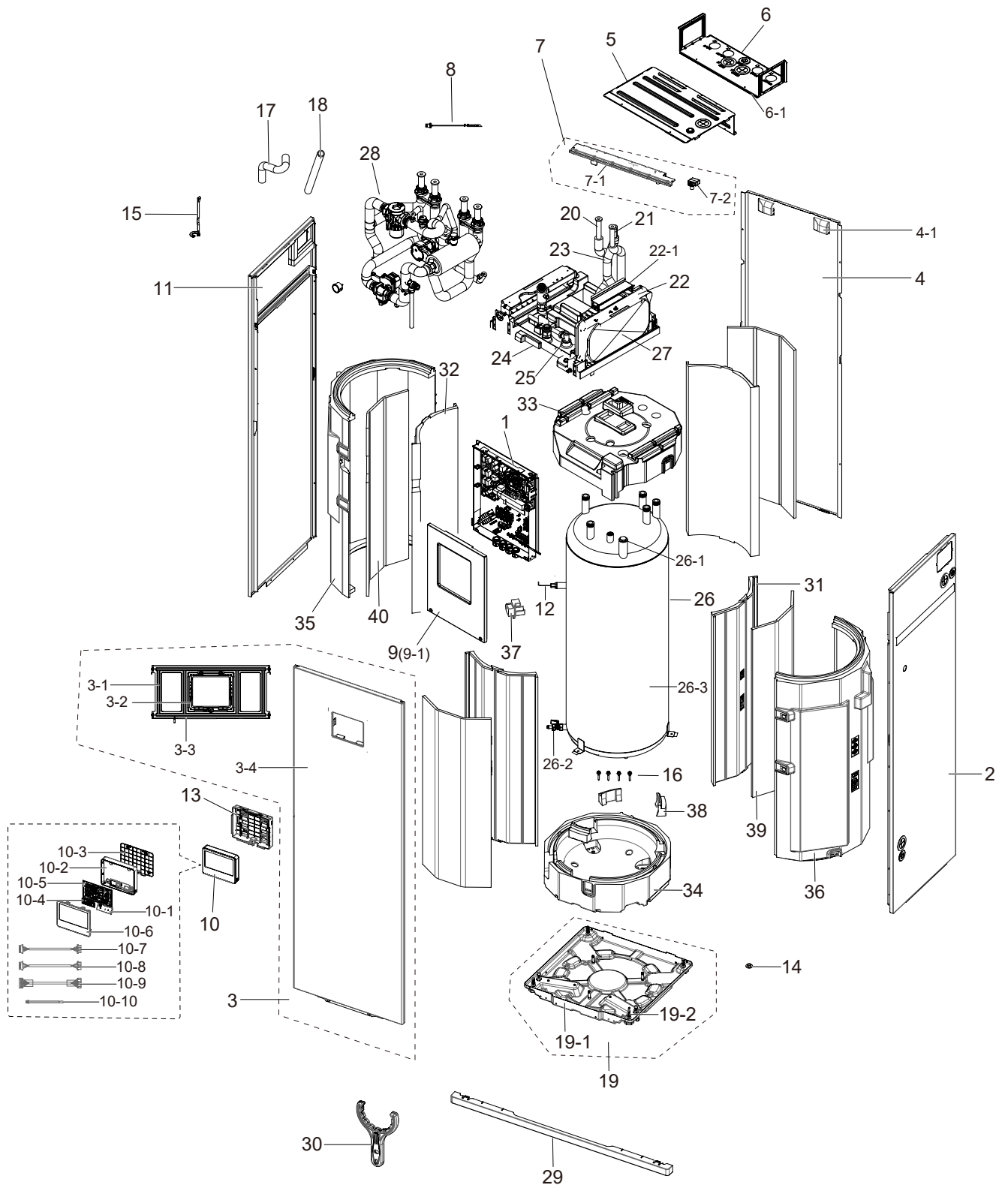
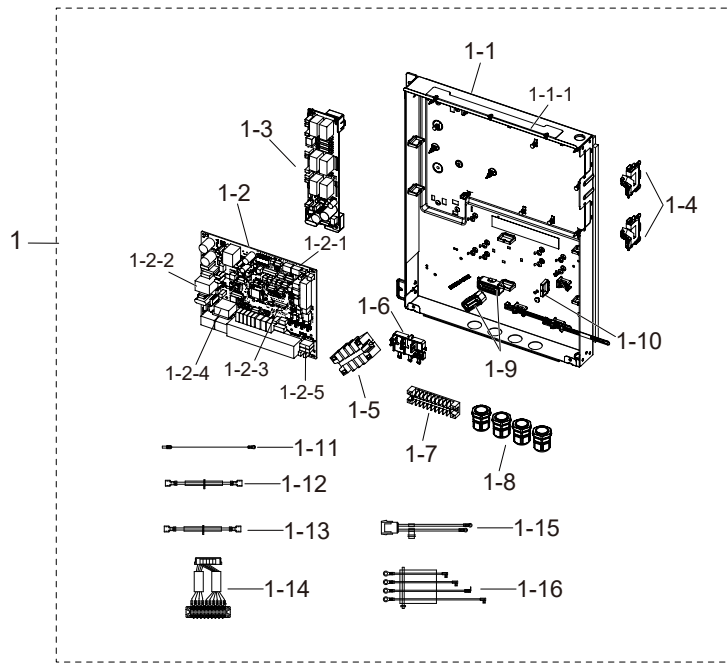
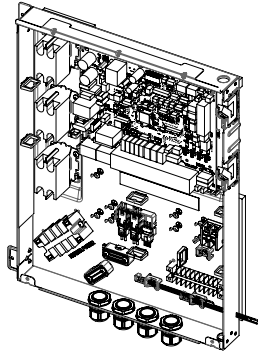


# Tank-STD

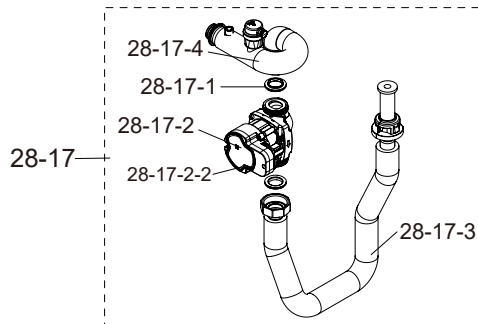
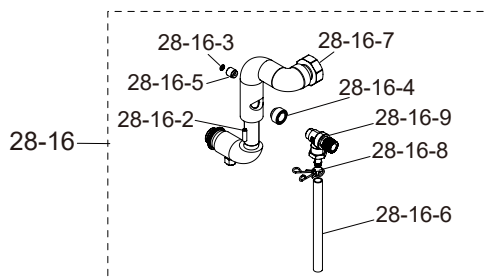
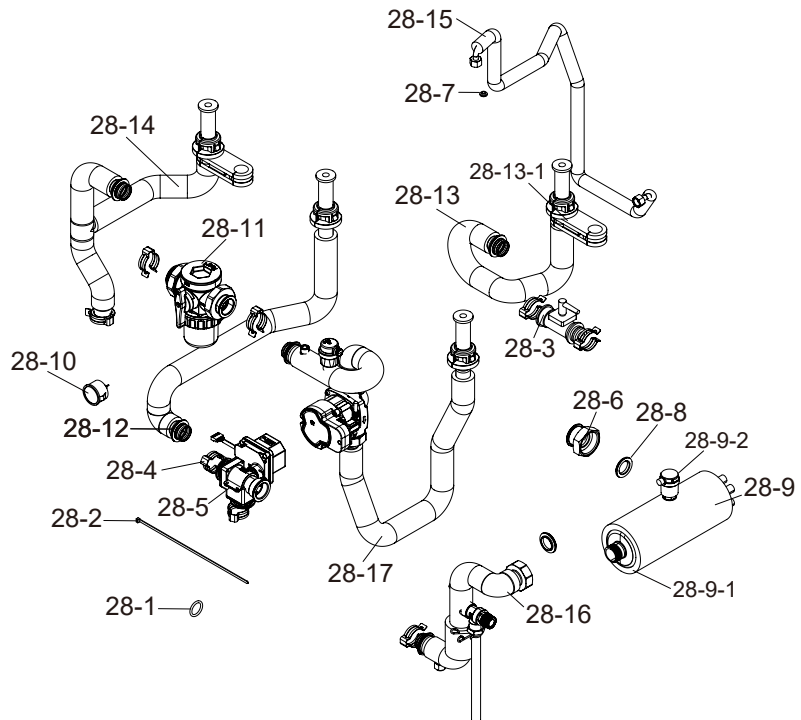
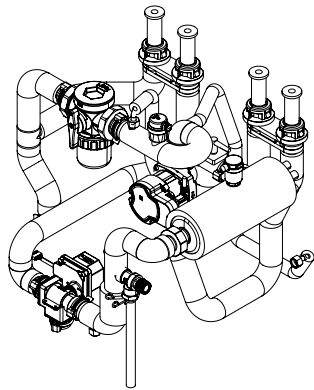
## AE200DNWMPK/EU



### ASSY PBA KIT-IN



### ASSY TUBE PARTS



## Model : AE200DNWMPK/EU

No.	Parts Code	Parts Description	Spec.	Qt'y	SA/SNA
1	DB92-05739A	ASSY PBA KIT-IN	INDOOR,EHS TIH/WM PJT,ST	1	SNA
1-1	DB90-13278A	ASSY CASE CONTROL	AE7000D	1	SA
1-1-1	DB61-08158A	BRACKET CONTROL-CABI	AE160DNYMPK/EU,GI-S	1	SA
1-2	DB92-05738B	ASSY PCB MAIN-IN	SW,MAIN,EHS 7' LCD MONO	1	SA
1-2-1	DB93-12483B	ASSY PCB SUB	SUB,E2P PBA,UB-S,20*25,lock	1	SA
1-2-2	DB94-10333A	ASSY HEAT SINK 1-IN	MAIN,EHS TIH/WM PJT,	1	SNA
1-2-3	DB92-02793B	ASSY FUNCTION	COMM,R290 EHS,2Line Sub (E	1	SA
1-2-4	3501-001738	RELAY-POWER	12V,0.9W,25000mA,1FormA,20ms	1	SA
1-2-5	DB37-00026A	TERMINAL BLOCK	DAPC 3013-2P-M,MELAMINE,3	2	SA
1-3	DB92-05874A	ASSY PCB SUB	HW,SUB,EHS R32 SPLIT,64X242mm,220V~240V	1	SA
1-4	DB61-08275A	HOLDER WIRE	AE7000D,PA66,T2,BLACK,-,HB,3	2	SA
1-5	DB37-00034B	TERMINAL BLOCK	JXW-L,MELAMINE,600V,40A,8	1	SA
1-6	DB61-08260A	HOLDER WIRE	AE7000D,ABS,T2,BLACK,-,5VA,V	1	SA
1-7	DB65-00329B	TERMINAL BLOCK	EHS R290 PUMP,PBT,250V,20	1	SNA
1-8	DB61-00791F	HOLDER-CABLE	AE***CXYDEK/EU,AE***CXYDGK/	4	SNA
1-9	DB61-00250A	HOLDER-WIRE CLAMP	AF25M9970DBX,PA66,-,BL	2	SNA
1-10	DB71-00058A	WIRE-SADDLE	PA66,WHITE,ID22.5	10	SNA
1-11	DB93-10835C	ASSY CONNECTOR WIRE-EARTH	1,1015,18,YEL/	1	SA
1-12	DB93-17991A	ASSY CONNECTOR WIRE-POWER	2,1015,18,BRN,	1	SA
1-13	DB93-18156A	ASSY CONNECTOR WIRE-POWER	2,1015,18,BRN,	1	SA
1-14	DB93-17880B	ASSY CONNECTOR WIRE-TERMINAL BLOCK	10,20	1	SA
1-15	DB93-17991A	ASSY CONNECTOR WIRE-POWER	2,1015,18,BRN,	1	SA
1-16	DB93-18157A	ASSY CONNECTOR WIRE-POWER	4,1015,14,WHT,	1	SA
2	DB90-13270A	ASSY CABI SIDE-RH	AE7000D	1	SA
3	DB90-13271A	ASSY CABI FRONT	AE7000D	1	SA
3-1	DB64-03618A	CABINET FRONT-BEAM	AE200DNWMPK/EU,GI-SGC	1	SNA
3-2	DB63-04602A	COVER FRONT	ABS,T2,HB,EBONY BLACK,-,HG-0	1	SNA
3-3	DB63-01576D	COVER-BUSHING	AXD-A22K200X,PA66,T3.5,W4.	1	SA
3-4	DB64-03625A	CABINET FRONT	AE200DNWMPK/EU,GI-SGCC,T0.	1	SNA
4	DB90-13272A	ASSY CABI BACK	AE7000D	1	SA
4-1	DB64-02613D	HOLDER-UP	EHS LOW NOSIE,PP+TD20%,-,BLACK	2	SA
5	DB90-13273B	ASSY CABI TOP-MID	AE7000D	1	SA
6	DB90-13274B	ASSY CABI TOP-LOW	AE7000D	1	SA
6-1	DB63-01576D	COVER-BUSHING	AXD-A22K200X,PA66,T3.5,W4.	1	SA
7	DB90-13275A	ASSY CABI TOP-UP	AE7000D	1	SA
7-1	DB64-03617A	CABINET TOP-UP	AE200DNWMPK/EU,GI-SGCC,T1	1	SNA
7-2	DB61-08242A	HOLDER-HINGE	AE7000D,ABS,T2.5,BLACK,-,HB	1	SA
8	DB32-00301B	SENSOR TEMP	L2000,10kohm,3%,25C,Molding,	1	SA
9	DB90-13304A	ASSY COVER CONTROL	NEW TANK	1	SA

No.	Parts Code	Parts Description	Spec.	Qt'y	SA/SNA
9-1	DB61-08157A	BRACKET CONTROL-COVER	AE160DNYMPK/EU,GI-	1	SA
10	DB90-13332A	ASSY CASE CONTROL	AE200DNWMPK/EU,7" tou	1	SNA
10-1	4709-003032	W-LAN MODULE	WCP730M,MT7668,IEEE802.11,2	1	SA
10-2	DB61-08240A	CASE-BOTTOM	AE7000D,ABS,T1.5,L180,BLACK	1	SA
10-3	DB61-08241A	CASE-REAR	AE7000D,ABS,T1.5,L180,BLACK CA	1	SA
10-4	DB92-05737A	ASSY PCB SUB	HW,SUB,7inch remocon,30X69,	1	SA
10-5	DB92-05741A	ASSY PCB DISPLAY	HW,S905D3 7" LCD SUB,TO	1	SNA
10-6	DB90-13335A	ASSY CASE-DISPLAY	EHS 7" TOUCH REMOCON,	1	SNA
10-7	DB93-17876B	ASSY CONNECTOR WIRE-DC SIGNAL	7,2095,26,	1	SA
10-8	DB93-17995A	ASSY CONNECTOR WIRE-DC SIGNAL	6,2095,26,	1	SA
10-9	DB93-17996A	ASSY CONNECTOR WIRE-DC SIGNAL	10,21296,2	1	SA
10-10	DB95-04690A	ASSY THERMISTOR-IN	AC,-,±3,25,-	1	SA
11	DB90-13269A	ASSY CABI SIDE-LF	AE7000D	1	SA
12	DB32-00295B	SENSOR TEMP	L2500,200kohm,3%,25C,6phi,AC	1	SA
13	DB63-04603A	COVER-REAR	ABS,T2,HB,EBONY BLACK,-,HG-07	1	SNA
14	DB60-30028A	NUT-FLANGE	SWRCH18A,ZPC(WHT),HWH,M8,P1.2	3	SA
15	DB81-00635A	SPRING ETC-SENSOR	DVM-SYSTEM,STS304,ID2.	1	SA
16	DB60-00137A	BOLT-ETC	M8,L43.5,ZPC(WHT),SWRCH18A,HEX	4	SA
17	DB67-01874A	HOSE DRAIN	EHS NEW TANK,EPDM,T2.2,L340,B	1	SA
18	DB67-01875A	HOSE DRAIN	EHS NEW TANK,EPDM,T2.2,L1200,	1	SA
19	DB90-13276A	ASSY BASE OUT	AE7000D	1	SA
19-1	DB90-13277A	ASSY CABI BASE	AE7000D	1	SA
19-2	6011-007032	BOLT-HEX	M6,L12,Zn-Ni(SIL),HWH,SWRCH18A,	4	SA
20	DB96-26827A	ASSY TUBE WATER-IN	EHS NEW TANK,DHW IN	1	SA
21	DB96-26821A	ASSY TUBE WATER-OUT	EHS NEW TANK,DHW OUT	1	SA
22	DB90-13279A	ASSY CASE	AE7000D	1	SA
22-1	DB61-08236A	BRACKET-SUPPORT	TANK SLIM,GI-SGCC,T1.6,W	1	SNA
23	DB96-27054A	ASSY TUBE RETURN	AE200DNXMPK/EU	1	SNA
24	DB94-10327A	ASSY TRAY DRAIN	AE7000D TIH	1	SA
25	DB96-24743B	ASSY VALVE	EHS NEW TANK,Water,3/4', 10ba	1	SA
26	DB96-26840A	ASSY TUBE TANK	New TANK,Assy inner tank,	1	SNA
26-1	DB67-01702A	NIPPLE	EHS TANK,EN-MAMgAL3Zn1,-,-,-,Anod	1	SA
26-2	DB96-26812A	ASSY VALVE	EHS NEW TANK,Water,1/2',Strai	1	SA
26-3	DB96-26841A	ASSY TUBE TANK-WATER	New TANK,Inner tank	1	SNA
27	DB96-26842A	ASSY TUBE WATER-WATER	New EHS TANK,EXPAN	1	SA
28	DB96-27076A	ASSY TUBE PARTS	AE200DNWMPK/EU	1	SNA
28-1	6044-002510	RING-O	HNBR,T3.9,ID25.3	1	SNA
28-2	6501-001109	CABLE TIE	NYLON66,BLK,T1.3,W4.8,L300	1	SNA
28-3	DB32-00264A	SENSOR PRESSURE	FLOW,5V,1.0MPa	1	SA

No.	Parts Code	Parts Description	Spec.	Qt'y	SA/SNA
28-4	DB60-00565A	FASTENER-ETC	EHS TANK,STS304,-,NATURAL,S	8	SA
28-5	DB62-12787B	VALVE STEP	AC230V,MODULE,1000mm	1	SNA
28-6	DB67-01880A	NIPPLE	EHS NEW TANK,C3771,-,-,-	1	SNA
28-7	DB73-00559A	RUBBER-PACKING ID8	NH160PHXEA,EPDM	1	SA
28-8	DB73-00560A	RUBBER-PACKING ID30	NH160PHXEA,EPDM	2	SA
28-9	DB95-05985B	ASSY HEATER PARTS	TANK,230V,6KW,YH396-03	1	SNA
28-9-1	DB47-00119B	HEATER SHEATH	AC230V,6000W,INCOLOY800,L1	1	SA
28-9-2	DB96-13493B	ASSY VALVE	BSPP3/8",	1	SA
28-10	DB96-13830A	ASSY-MANOMETER	0~4MPa,BOURDON,G1/4B,STRE	1	SA
28-11	DB96-26811A	ASSY VALVE	New EHS,Magnetic filter, Quic	1	SNA
28-12	DB96-27065A	ASSY TUBE WATER-OUT	AE200DNXMPK/EU	1	SNA
28-13	DB96-27068A	ASSY TUBE WATER-IN	AE200DNXMPK/EU	1	SNA
28-13-1	DB67-01872A	RUBBER PIPE	EHS NEW TANK,CHLOROPRENE RUB	1	SA
28-14	DB96-27069A	ASSY TUBE WATER-IN	AE200DNXMPK/EU	1	SNA
28-15	DB96-27057A	ASSY TUBE CONNECTOR-LEFT	AE200DNXMPK/EU	1	SNA
28-16	DB96-27059A	ASSY TUBE CONNECTOR-VALVE	AE200DNXMPK/EU	1	SNA
28-16-1	DB32-00307B	SENSOR TEMP	L700,10kohm,3%,25C,6phi,AC,H	1	SA
28-16-2	DB61-05216A	HOLDER SENSOR	DVM Model,C1220T-O,T0.55,W	1	SNA
28-16-3	DB67-01519A	RUBBER WASHER	CR,AB-5661HC,NATURAL	1	SNA
28-16-4	DB67-01610A	NIPPLE-RELIEF	Cu	1	SNA
28-16-5	DB67-01612A	NIPPLE-MANOMITER	Cu	1	SNA
28-16-6	DB67-01874A	HOSE DRAIN	EHS NEW TANK,EPDM,T2.2,L340,B	1	SA
28-16-7	DB81-01451A	NUT-ETC	MBS,1/2"	1	SNA
28-16-8	DB81-01572A	RING-BAND	RING-BAND,STS304,16,2.5,2,-	3	SNA
28-16-9	DB96-13494B	ASSY VALVE	PF 1/2", 2.9bar	1	SA
28-17	DB96-26842A	ASSY TUBE WATER-WATER	New EHS TANK,EXPAN	1	SA
28-17-1	DB73-00560A	RUBBER-PACKING ID30	NH160PHXEA,EPDM	2	SA
28-17-2	DB94-10348A	ASSY PUMP	PUMP BUNDLED WITH CABLE,PUMP +	1	SNA
28-17-2-1	DB93-17993A	ASSY CONNECTOR WIRE-AC SIGNAL	5,XINHU CA	1	SA
28-17-2-2	DB96-21145D	ASSY WATER PUMP	HEAD 9m,230V, 50Hz/60Hz,	1	SA
28-17-3	DB96-27065A	ASSY TUBE WATER-OUT	AE200DNXMPK/EU	1	SNA
28-17-4	DB96-27061A	ASSY TUBE CONNECTOR-MIDDLE	AE200DNXMPK/E	1	SNA
29	DB90-13325A	ASSY COVER BOTTOM	AE7000D TIH	1	SA
30	DB61-08246A	GUIDE-ELEMENT	AE7000D,HIPS,T3,HB,PH-88,B	1	SNA
31	DB62-13572A	INSULATION-BODY	EPP,T30,W350,L1000,LBK15	3	SNA
32	DB62-13572B	INSULATION-BODY	EPP,T30,W350,L1000,LBK15	1	SNA
33	DB62-13573A	SEAL CUSHION-TOP	EPS,T150,W550,-,LG422,N	1	SNA
34	DB62-13574A	SEAL CUSHION-BOTTOM	EPS,T150,W550,-,LG42	1	SNA
35	DB62-13576A	SEAL CUSHION-BODY	EPS,T50,W500,-,LG422,N	1	SNA
36	DB62-13576B	SEAL CUSHION-BODY	EPS,T50,W500,-,LG422,N	1	SNA
37	DB62-13622A	INSULATION-UP	EPP,T30,W20,L50,LBK15,BLAC	1	SNA

No.	Parts Code	Parts Description	Spec.	Qt'y	SA/SNA
38	DB62-13623A	INSULATION-SUB	EPP,T20,W15,L50,LBK15,BLA	3	SNA
39	DB62-13666A	INSULATION	GLASS FIBER/LAMINATE FILM,T12	3	SNA
40	DB62-13666B	INSULATION	GLASS FIBER/LAMINATE FILM,T12	1	SNA