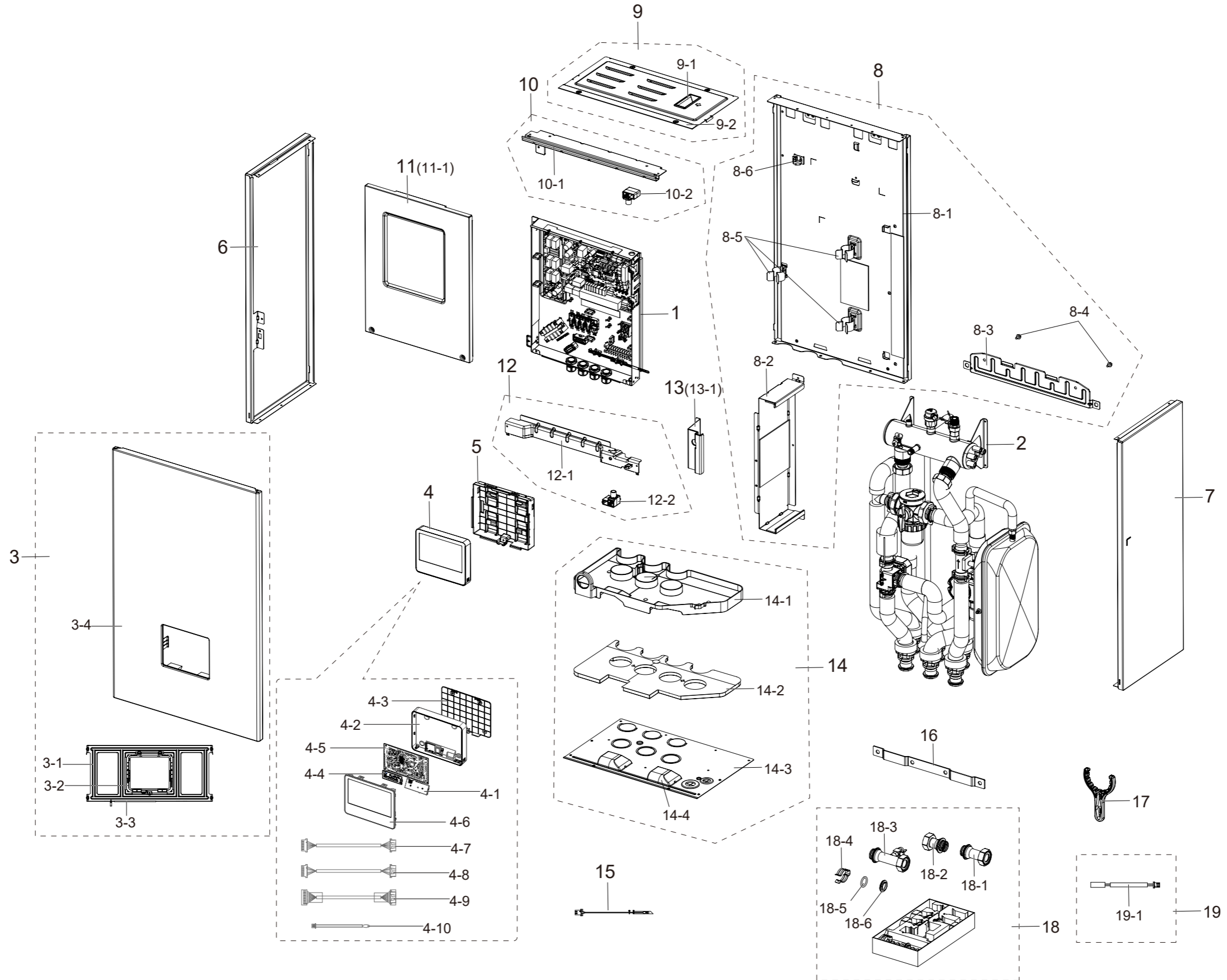
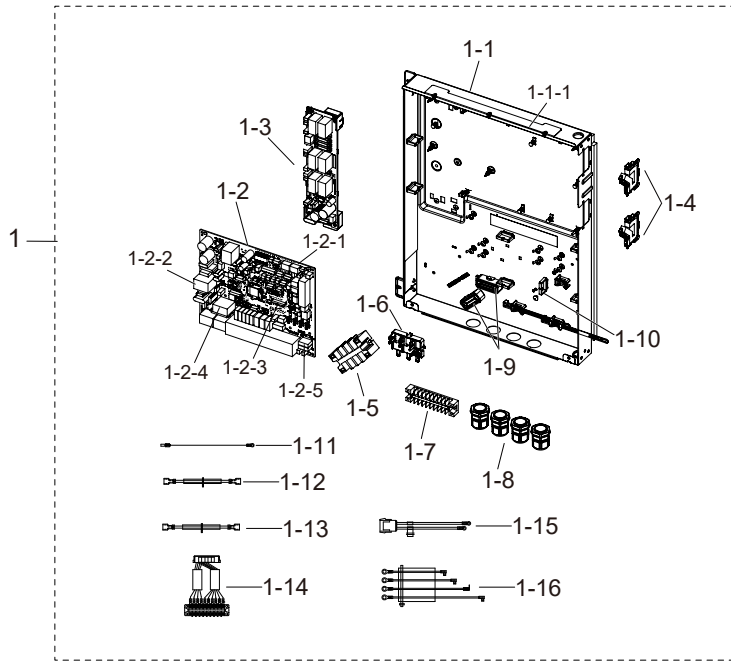
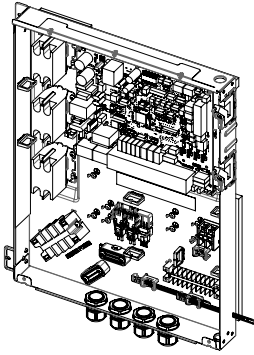


Hydro Unit-STD

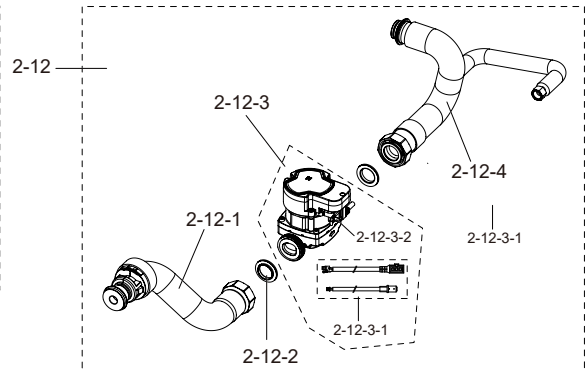
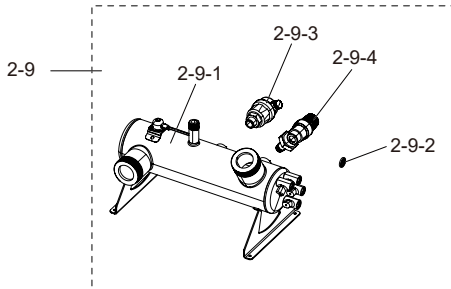
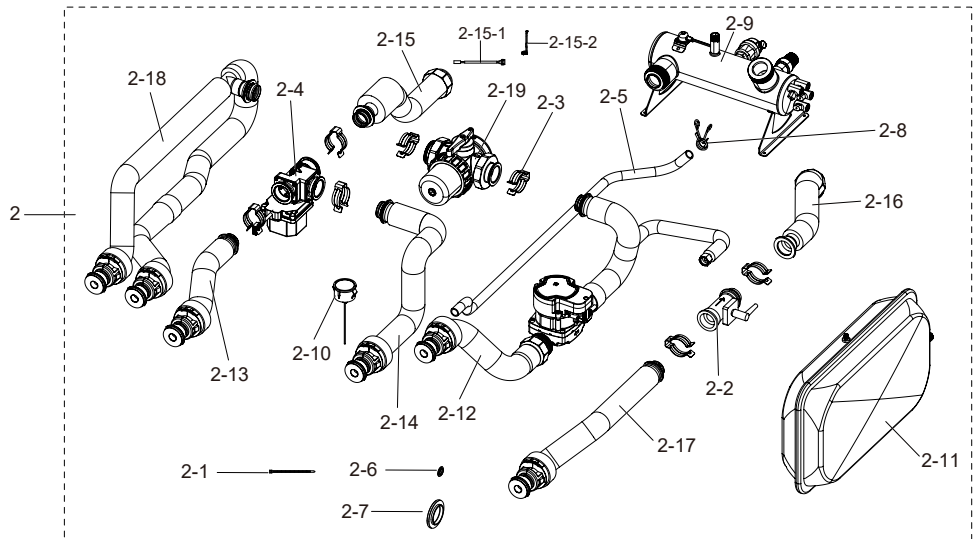
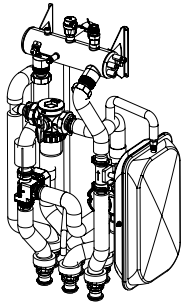
AE160DNYMPK/EU



ASSY PBA KIT-IN



ASSY TUBE PARTS



Model : AE160DNYMPK/EU

No.	Parts Code	Parts Description	Spec.	Qt'y	SA/SNA
1	DB92-05739A	ASSY PBA KIT-IN	INDOOR,EHS TIH/WM PJT,ST	1	SNA
1-1	DB90-13278A	ASSY CASE CONTROL	AE7000D	1	SA
1-1-1	DB61-08158A	BRACKET CONTROL-CABI	AE160DNYMPK/EU,GI-S	1	SA
1-2	DB92-05738B	ASSY PCB MAIN-IN	SW,MAIN,EHS 7" LCD MONO	1	SA
1-2-1	DB93-12483B	ASSY PCB SUB	SUB,E2P PBA,UB-S,20*25,lock	1	SA
1-2-2	DB94-10333A	ASSY HEAT SINK 1-IN	MAIN,EHS TIH/WM PJT,	1	SNA
1-2-3	DB92-02793B	ASSY FUNCTION	COMM,R290 EHS,2Line Sub (E	1	SA
1-2-4	3501-001738	RELAY-POWER	12V,0.9W,25000mA,1FormA,20ms	1	SA
1-2-5	DB37-00026A	TERMINAL BLOCK	DAPC 3013-2P-M,MELAMINE,3	2	SA
1-3	DB92-05874A	ASSY PCB SUB	HW,SUB,EHS R32 SPLIT,64X242mm,220V~240V	1	SA
1-4	DB61-08275A	HOLDER WIRE	AE7000D,PA66,T2,BLACK,-,HB,3	2	SA
1-5	DB37-00034B	TERMINAL BLOCK	JXW-L,MELAMINE,600V,40A,8	1	SA
1-6	DB61-08260A	HOLDER WIRE	AE7000D,ABS,T2,BLACK,-,5VA,V	1	SA
1-7	DB65-00329B	TERMINAL BLOCK	EHS R290 PUMP,PBT,250V,20	1	SNA
1-8	DB61-00791F	HOLDER-CABLE	AE***CXYDEK/EU,AE***CXYDGK/	4	SNA
1-9	DB61-00250A	HOLDER-WIRE CLAMP	AF25M9970DBX,PA66,-,BL	2	SNA
1-10	DB71-00058A	WIRE-SADDLE	PA66,WHITE,ID22.5	10	SNA
1-11	DB93-10835C	ASSY CONNECTOR WIRE-EARTH	1,1015,18,YEL/	1	SA
1-12	DB93-17991A	ASSY CONNECTOR WIRE-POWER	2,1015,18,BRN,	1	SA
1-13	DB93-18156A	ASSY CONNECTOR WIRE-POWER	2,1015,18,BRN,	1	SA
1-14	DB93-17880B	ASSY CONNECTOR WIRE-TERMINAL BLOCK	10,20	1	SA
1-15	DB93-17991A	ASSY CONNECTOR WIRE-POWER	2,1015,18,BRN,	1	SA
1-16	DB93-18157A	ASSY CONNECTOR WIRE-POWER	4,1015,14,WHT,	1	SA
2	DB96-26767A	ASSY TUBE PARTS	AE160DNYMPK/EU	1	SNA
2-1	6501-001109	CABLE TIE	T1.3,W4.8,L300,BLK,NYLON66	2	SNA
2-2	DB32-00264A	SENSOR PRESSURE	FLOW,5V,1.0MPa	1	SA
2-3	DB60-00565A	FASTENER-ETC	EHS TANK,STS304,SUS304 3/4H	7	SA
2-4	DB62-12787B	VALVE STEP	AC230V,MODULE,1000mm	1	SNA
2-5	DB67-01048A	DRAIN-HOSE	EHS2,EPDM,BLACK,-	1	SA
2-6	DB73-00559A	RUBBER-PACKING ID8	NH160PHXEA,EPDM	1	SA
2-7	DB73-00560A	RUBBER-PACKING ID30	NH160PHXEA,EPDM	2	SA
2-8	DB81-01572A	RING-BAND	RING-BAND,STS304,16,2.5,2,-	1	SNA
2-9	DB95-05984B	ASSY HEATER PARTS	230V,6KW,YH396-03VR(WH	1	SNA
2-9-1	DB47-00120B	HEATER SHEATH	AC230V,6000W,INCOLOY800,L1	1	SA
2-9-2	DB67-01519A	RUBBER WASHER	CR,AB-5661HC,NATURAL	1	SNA
2-9-3	DB96-13493B	ASSY VALVE	BSPP3/8",	1	SA
2-9-4	DB96-13494B	ASSY VALVE	PF 1/2", 2.9bar	1	SA
2-10	DB96-13830A	ASSY-MANOMETER	0~4MPa,BOURDON,G1/4B,STRE	1	SA
2-11	DB96-26537A	ASSY TUBE TANK-WATER	EHS R290,EXPANSION	1	SA
2-12	DB96-26790A	ASSY TUBE WATER-LOW	AE160DNYMPK/EU	1	SNA

No.	Parts Code	Parts Description	Spec.	Qt'y	SA/SNA
2-12-1	DB96-26808A	ASSY TUBE WATER-OUT	AE160DNYMPK/EU	1	SA
2-12-2	DB73-00560A	RUBBER-PACKING ID30	NH160PHXEA,EPDM	2	SA
2-12-3	DB94-10348A	ASSY PUMP	PUMP BUNDLED WITH CABLE,PUMP +	1	SNA
2-12-3-1	DB93-17993A	ASSY CONNECTOR WIRE-AC SIGNAL	5,XINHU CA	1	SA
2-12-3-2	DB96-21145D	ASSY WATER PUMP	HEAD 9m,230V, 50Hz/60Hz,	1	SA
2-12-4	DB96-26803A	ASSY TUBE WATER-VALVE	AE160DNYMPK/EU	1	SA
2-13	DB96-26792A	ASSY TUBE CONNECTOR-OUT	AE160DNYMPK/EU	1	SNA
2-14	DB96-26798A	ASSY TUBE TANK-OUT	AE160DNYMPK/EU	1	SA
2-15	DB96-26800A	ASSY TUBE WATER-LEFT	AE160DNYMPK/EU	1	SA
2-15-1	DB32-00307A	SENSOR TEMP	L1100,10kohm,3%,25C,6phi,AC,	1	SA
2-15-2	DB81-00635A	SPRING ETC-SENSOR	DVM-SYSTEM,STS304,ID2.	1	SA
2-16	DB96-26801A	ASSY TUBE WATER-RIGHT	AE160DNYMPK/EU	1	SA
2-17	DB96-26807A	ASSY TUBE WATER-IN	AE160DNYMPK/EU	1	SA
2-18	DB96-26810A	ASSY TUBE TANK-IN	AE160DNYMPK/EU	1	SNA
2-19	DB96-26811A	ASSY VALVE	New EHS,Magnetic filter, Quic	1	SNA
3	DB90-13297A	ASSY CABI FRONT	AE160DNZMPK/EU,EHS New H	1	SA
3-1	DB61-08139A	BRACKET-SUPPORT	AE160DNYMPK/EU,GI-SGCC,T	1	SA
3-2	DB63-04602A	COVER FRONT	ABS,T2,HB,EBONY BLACK,-,HG-0	1	SNA
3-3	DB63-01576D	COVER-BUSHING	AXD-A22K200X,PA66,T3.5,W4.	3	SA
3-4	DB64-03626A	CABINET FRONT	AE160DNYMPK/EU,GI-SGCC,T0.	1	SNA
4	DB90-13332A	ASSY CASE CONTROL	AE200DNWMPK/EU,7" tou	1	SNA
4-1	4709-003032	W-LAN MODULE	WCP730M,MT7668,IEEE802.11,2	1	SA
4-2	DB61-08240A	CASE-BOTTOM	AE7000D,ABS,T1.5,L180,BLACK	1	SA
4-3	DB61-08241A	CASE-REAR	AE7000D,ABS,T1.5,L180,BLACK CA	1	SA
4-4	DB92-05737A	ASSY PCB SUB	SUB,7inch remocon,30X69,-,1	1	SA
4-5	DB92-05741A	ASSY PCB DISPLAY	S905D3 7" LCD SUB,TOUCH	1	SNA
4-6	DB90-13335A	ASSY CASE-DISPLAY	EHS 7" TOUCH REMOCON,	1	SNA
4-7	DB93-17876B	ASSY CONNECTOR WIRE-DC SIGNAL	7,2095,26,	1	SA
4-8	DB93-17995A	ASSY CONNECTOR WIRE-DC SIGNAL	6,2095,26,	1	SA
4-9	DB93-17996A	ASSY CONNECTOR WIRE-DC SIGNAL	10,21296,2	1	SA
4-10	DB95-04690A	ASSY THERMISTOR-IN	AC,-,±3,25,-	1	SA
5	DB63-04603A	COVER-REAR	ABS,T2,HB,EBONY BLACK,-,HG-07	1	SNA
6	DB64-03628A	CABINET SIDE-LF	AE160DNYMPK/EU,GI-SGCC,T	1	SNA
7	DB90-13299A	ASSY CABI SIDE-RH	AE160DNZMPK/EU,EHS New	1	SA
8	DB90-13298B	ASSY CABI BASE	AE160DNZMPK/EU,EHS New Hy	1	SA
8-1	DB64-03621B	CABINET BASE	hydro unit,GI-SGCC,T1.6,-,-	1	SNA
8-2	DB90-13302A	ASSY BRACKET-BODY	AE160DNZMPK/EU,EHS New	1	SA
8-3	DB61-08161A	BRACKET FRAME	AE160DNYMPK/EU,GI-SGCC,T1.	1	SNA
8-4	6003-001053	BOLT-HEX	M6,L12,ZPC(WHT),SWRCH18A,HWH He	2	SNA
8-5	DB61-08142A	BRACKET TUBE-UP RIGHT	AE160DNYMPK/EU,STS	3	SA
8-6	DB61-00996A	HOLDER-LOCK CLAMP A	W-P/J,PA66,-,-,-,-,N	1	SNA

No.	Parts Code	Parts Description	Spec.	Qty	SA/SNA
9	DB90-13309A	ASSY CABI TOP	AE160DNZMPK/EU,EHS New Hyd	1	SA
9-1	DB64-02613D	HOLDER-UP	EHS LOW NOSIE,PP+TD20%,-,BLACK	1	SA
9-2	DB62-13682A	SEAL PLATE	EPDM,T3,W30,L480,-,BLACK,-	1	SA
10	DB90-13301A	ASSY CABI TOP-UP	AE160DNZMPK/EU,EHS New	1	SA
10-1	DB64-03630A	CABINET TOP-UP	AE160DNYMPK/EU,GI-SGCC,T1	1	SNA
10-2	DB61-08242A	HOLDER-HINGE	AE7000D,ABS,T2.5,BLACK,-,HB	1	SA
11	DB90-13304A	ASSY COVER CONTROL	NEW TANK	1	SA
11-1	DB61-08157A	BRACKET CONTROL-COVER	AE160DNYMPK/EU,GI-	1	SA
12	DB90-13315A	ASSY BRACKET-BODY	AE160DNZMPK/EU	1	SA
12-1	DB61-08160A	BRACKET CONTROL	AE160DNYMPK/EU,GI-SGCC,T	1	SA
12-2	DB61-08242A	HOLDER-HINGE	AE7000D,ABS,T2.5,BLACK,-,HB	1	SA
13	DB90-13303A	ASSY BRACKET-UP	AE160DNZMPK/EU,EHS New H	1	SA
13-1	DB61-08237A	BRACKET-UP	AE160DNYMPK/EU,GI-SGCC,T1.6,W	1	SA
14	DB90-13300B	ASSY CABI BOTTOM	AE160DNZMPK/EU,EHS New	1	SA
14-1	DB63-04574B	COVER-DRAIN	PP+(GLF+GF)15%,-,TITAN GRA	1	SNA
14-2	DB62-13571A	SEAL CUSHION-DRAIN	EPS,T40,W400,L321,-,L	1	SNA
14-3	DB61-08138B	BRACKET-DRAIN	AE160DNYMPK/EU,GI-SGCC,T1.	1	SA
14-4	DB64-02613D	HOLDER-UP	EHS LOW NOSIE,PP+TD20%,-,BLACK	2	SA
15	DB32-00301A	SENSOR TEMP	L1000,10kohm,3%,25C,Molding,	1	SA
16	DB61-04402A	BRACKET-WALL MOUNT	NH160PHXEA,GI-SGCC,T3	1	SA
17	DB61-08246A	GUIDE-ELEMENT	AE7000D,HIPS,T3,HB,PH-88,B	1	SNA
18	DB98-40519A	ASSY PACKING CASE ACCESSORY	AE160DNYMPK/	1	SNA
18-1	DB96-26795A	ASSY TUBE CONNECTOR-UP	AE160DNZMPK/EU	2	SNA
18-2	DB96-26796A	ASSY TUBE CONNECTOR-LOW	AE160DNZMPK/EU	3	SNA
18-3	DB96-26797A	ASSY TUBE CONNECTOR-VALVE	AE160DNZMPK/EU	1	SNA
18-4	DB60-00565A	FASTENER-ETC	EHS TANK,STS304,SUS304 3/4H	6	SA
18-5	6044-002510	RING-O	ID25.3,T3.9,HNBR	2	SNA
18-6	DB67-01835A	RUBBER WASHER	AE080CXDYGK/EU,EPDM,T3,-,B	8	SNA
19	DB98-40546A	ASSY PACKING CASE ACCESSORY	AE160DNZMPK/	1	SNA
19-1	DB95-05023A	ASSY THERMISTOR-WATER TANK	250,L15000,20	1	SA